

A

B

C

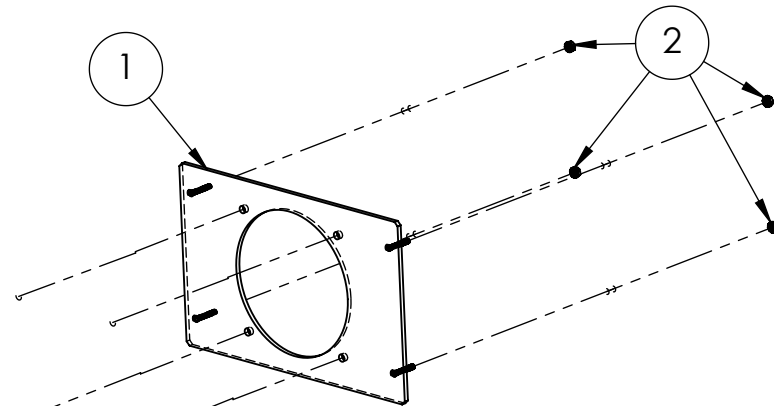
D

E

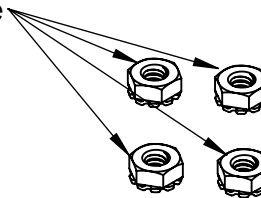
REVISION HISTORY

REV	BY	RELEASE DATE	DESCRIPTION	ORIGINATOR	CHANGE ORDER
A	EM	3/29/19	FIRST RELEASE	EM	4900
B	EM	2/7/2020	ADDED TORQUE VALUES FOR MOUNTING HARDWARE	EM	5079

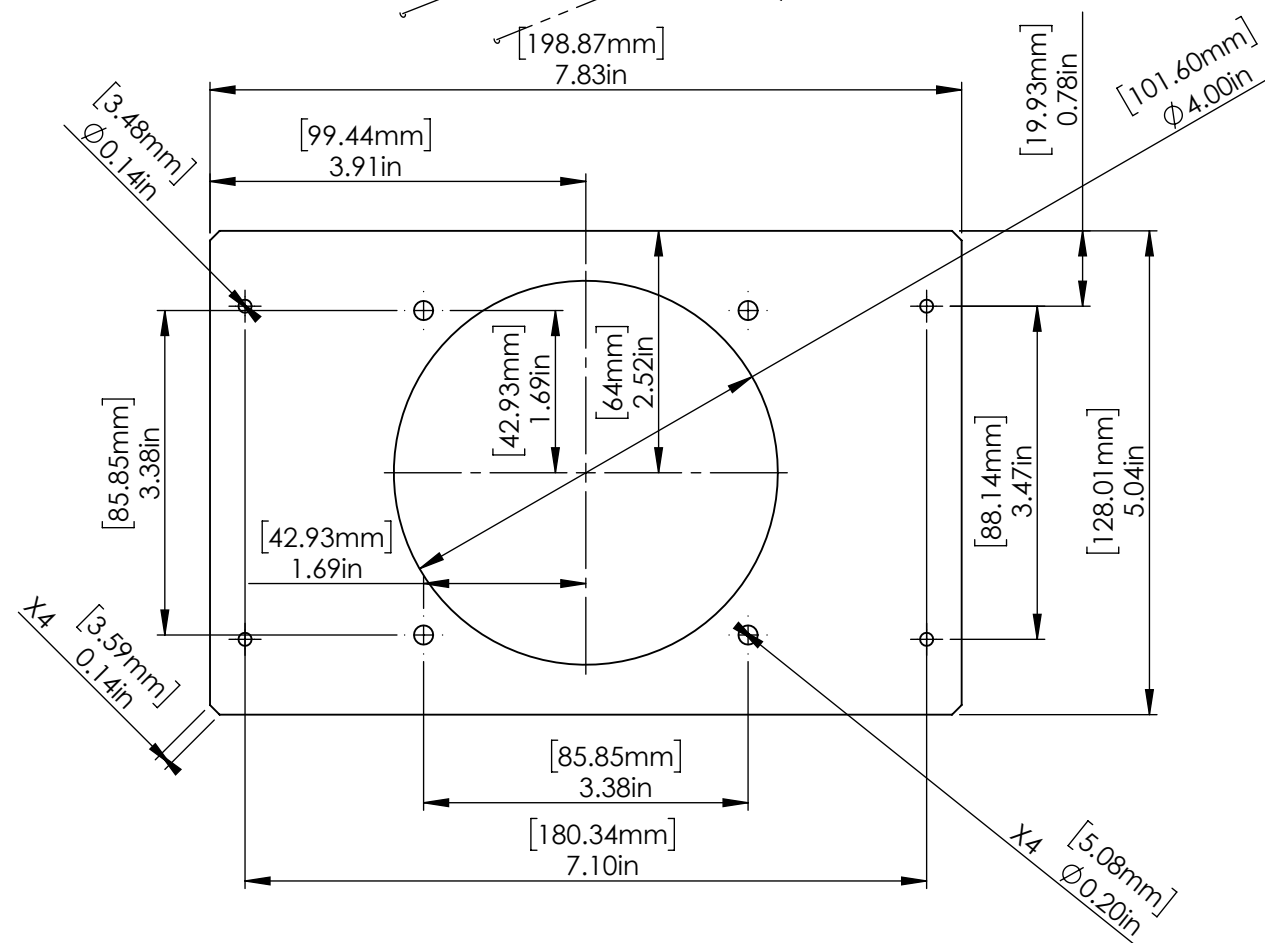
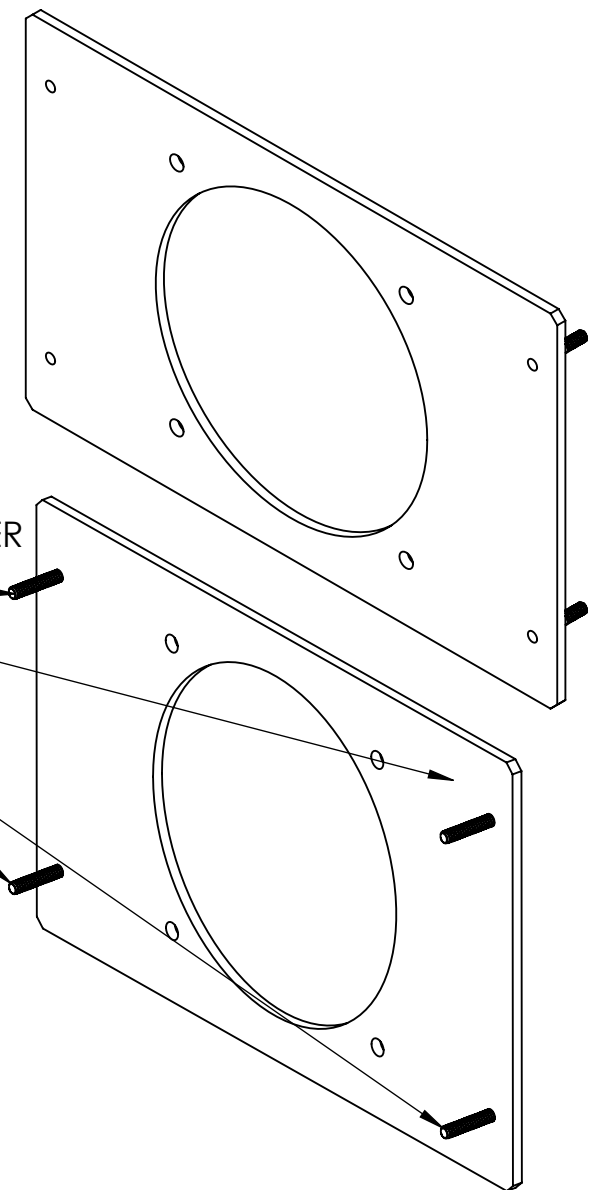
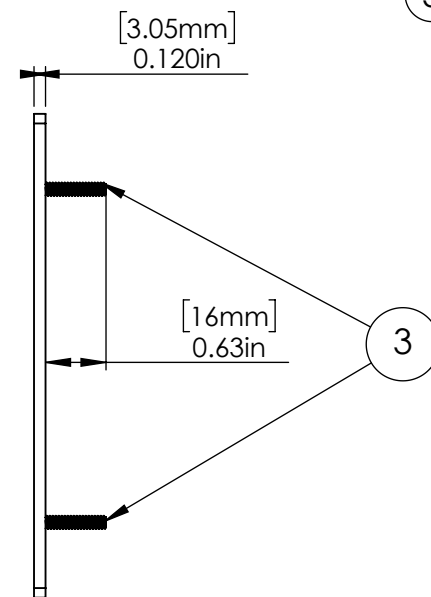
TORQUE RATINGS FOR THE MOUNTING HARDWARE IS 25 in-lb.



② Zinc-Plated Steel Locknut with External-Tooth Lock Washer, 6-32 Thread Size, 1/4" Wide



③ INSERT 4 PEM STUDS PART NUMBER FH-632-12ZI



NOTE: 1. SURFACE FINISH/COLOR: ANSI 61 GREY (30-40)

SOLIDWORKS GENERATED DRAWING

THESE DRAWINGS AND SPECIFICATIONS ARE THE PROPERTY OF ELECTRO INDUSTRIES AND SHALL NOT BE REPRODUCED, COPIED, OR USED FOR MANUFACTURE OR SALE OF APPARATUS WITHOUT WRITTEN PERMISSION OF ELECTRO INDUSTRIES.

TOLERANCES AND SYMBOLY PER ANSI/AMSE Y14.5M-1994 DIMENSIONS SPECIFIED ARE AFTER ADDITIVE FINISH.

DECIMALS
 .XX ± 0.010
 .XXX ± 0.005
 for 1st 5 inches plus 0.001 each additional inch.)

ANGLES
 XX ± 0.5°
 XX.X ± 0.1°

SURF. FINISH
 SEE NOTES

MATERIAL:

STEEL

DRAWN BY: EM DATE: 2/7/2020
 ENGINEERING CHECK: TB DATE: 2/7/2020
 DOCUMENTATION CHECK: DS DATE: 2/7/2020

FOR DIMENSIONS NOT SHOWN USE DIGITAL DATA. FILE NAME: E145372-B-2-7-2020.ZIP



TITLE: SHARK 200

TITLE DESCRIPTION: PQMII TO SHARK 200 MOUNT ADAPTER PLATE

MUST BE COMPLIANT WITH BOTH REACH AND RoHS DIRECTIVES

SIZE	SCALE
B	DO NOT SCALE DRAWING

PART NUMBER: E145372

REV. NO	CHANGE ORDER	RELEASE DATE	SHEET
B	5079	2/7/2020	1 OF 1

A

B

C

D

E