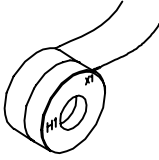
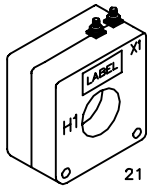
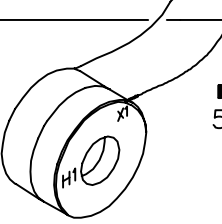
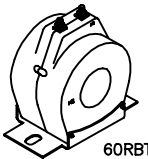
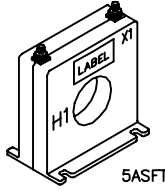
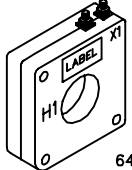
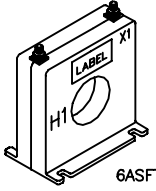
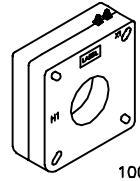
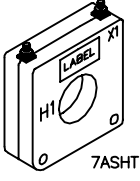
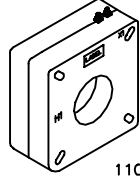
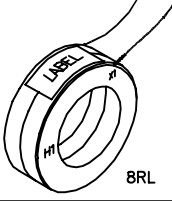
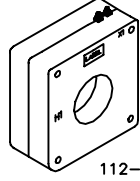
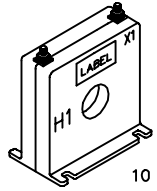
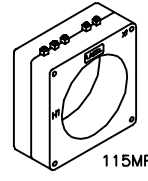
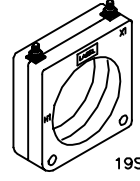
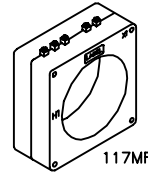
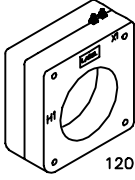
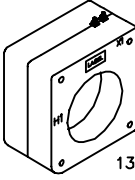
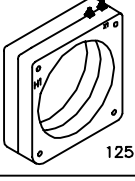
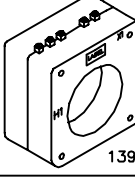
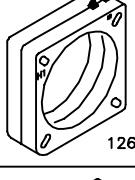
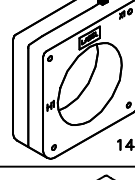
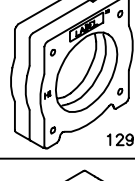
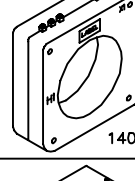
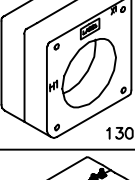
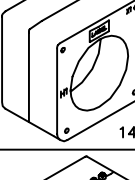
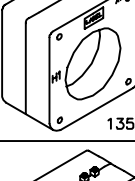
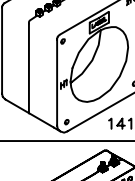
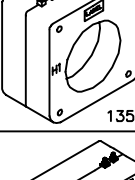
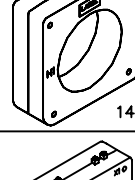
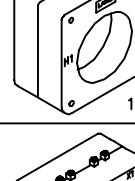
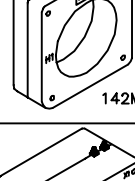
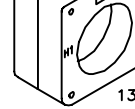
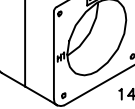


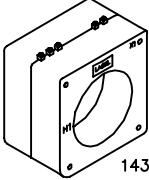
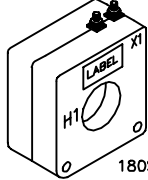
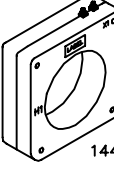
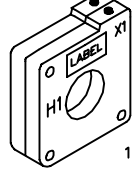
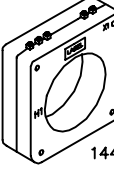
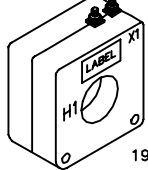
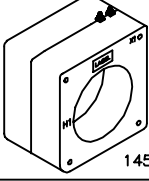

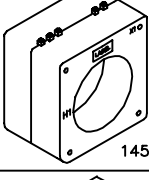
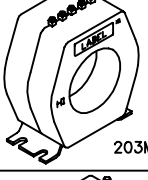
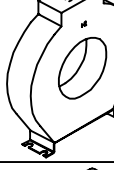
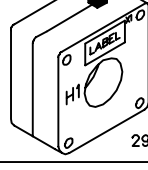
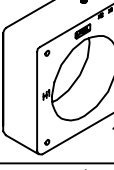
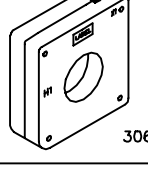

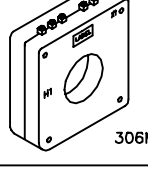

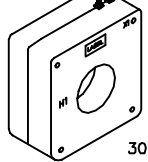
CURRENT TRANSFORMERS

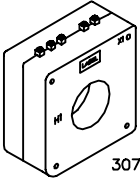
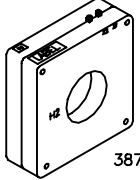
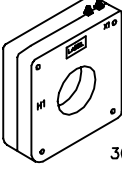
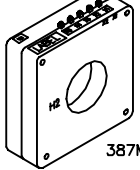
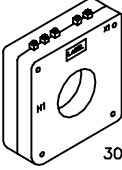
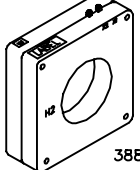
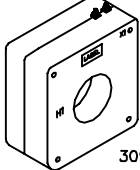

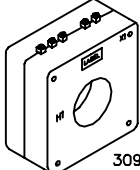
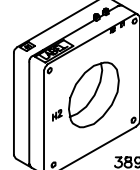
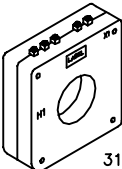
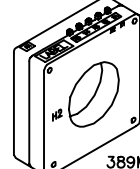
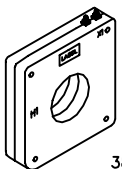
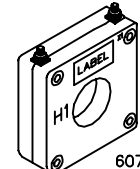
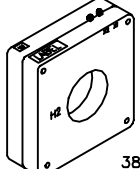
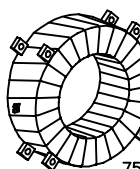
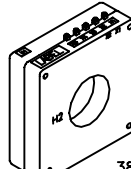
600V CLASS WINDOW TYPE

FOR METERING
AND RELAYING

| | | | |
|---|---|--|---|
| WINDOW SIZE 1.00  | MODEL 2DARL BODY SIZE W2.47 H2.47 D1.75 PAGE 5 | WINDOW SIZE 1.25 1.63 2.00 2.50 3.13  | MODELS 21 22 23 24 25 BODY SIZE W4.63 H5.54 D3.00 PAGE 13 |
| WINDOW SIZE 1.56  | MODEL 5DARL BODY SIZE W3.63 H3.63 D2.06 PAGE 6 | WINDOW SIZE 0.94 1.25 1.56  | MODELS 60 61 62 BODY SIZE W5.25 H4.44 D3.10 PAGE 16 |
| WINDOW SIZE 1.56  | MODELS 5ASHT 5ARL 5ASFT BODY SIZE W3.53 H4.21 D2.15 PAGE 7 | WINDOW SIZE 1.56 2.00 2.50  | MODELS 64 65 66 BODY SIZE W4.00 H4.44 D1.75 PAGE 18 |
| WINDOW SIZE 2.06  | MODELS 6ASHT 6ARL 6ASFT BODY SIZE W4.12 H4.66 D2.12 PAGE 8 | WINDOW SIZE 4.00  | MODEL 100 BODY SIZE W7.00 H7.00 D2.17 PAGE 20 |
| WINDOW SIZE 2.50  | MODELS 7ASHT 7ARL 7ASFT BODY SIZE W4.56 H5.32 D2.13 PAGE 9 | WINDOW SIZE 4.00  | MODEL 110 BODY SIZE W7.00 H7.00 D2.88 PAGE 21 |
| WINDOW SIZE 3.25  | MODELS 8RL 8SHT BODY SIZE W5.73 H6.17 D1.15 PAGE 10 | WINDOW SIZE 2.25 2.75 3.25 4.00 4.62  | MODELS 112 113 114 115 117 BODY SIZE W7.00 H7.12 D4.00 PAGE 22 |
| WINDOW SIZE 1.56  | MODEL 10 BODY SIZE W4.08 H5.03 D2.10 PAGE 11 | WINDOW SIZE 4.00  | MODEL 115MR BODY SIZE W7.00 H7.56 D4.00 PAGE 25 |
| WINDOW SIZE 4.25  | MODELS 19RL 19RT 19SHT BODY SIZE W5.92 H6.17 D1.15 PAGE 12 | WINDOW SIZE 4.62  | MODEL 117MR BODY SIZE W7.00 H7.56 D4.00 PAGE 27 |

| | | | | | | | | | |
|----------------------------|---|-----------------------|--|--------------------------|----------------------------|--|-----------------------|--|--------------------------|
| WINDOW SIZE 5.75 |  | MODEL 120 | BODY SIZE W8.50 H8.50 D2.17 | PAGE 29 | WINDOW SIZE 6.50 |  | MODEL 139 | BODY SIZE W 9.88 H10.32 D 5.00 | PAGE 40 |
| WINDOW SIZE 6.31 |  | MODEL 125 | BODY SIZE W8.50 H8.94 D1.28 | PAGE 30 | WINDOW SIZE 6.50 |  | MODEL 139MR | BODY SIZE W 9.88 H10.32 D 5.00 | PAGE 41 |
| WINDOW SIZE 8.25 |  | MODEL 126 | BODY SIZE W10.48 H10.92 D 1.53 | PAGE 31 | WINDOW SIZE 8.13 |  | MODEL 140 | BODY SIZE W11.10 H11.91 D 3.00 | PAGE 43 |
| WINDOW SIZE 5.50 |  | MODEL 129 | BODY SIZE W8.18 H8.64 D2.63 | PAGE 32 | WINDOW SIZE 8.13 |  | MODEL 140MR | BODY SIZE W11.10 H11.91 D 3.00 | PAGE 44 |
| WINDOW SIZE 5.75 |  | MODEL 130 | BODY SIZE W8.50 H8.94 D2.90 | PAGE 33 | WINDOW SIZE 8.13 |  | MODEL 141 | BODY SIZE W11.10 H11.91 D 6.00 | PAGE 46 |
| WINDOW SIZE 5.75 |  | MODEL 135 | BODY SIZE W9.21 H9.65 D3.00 | PAGE 34 | WINDOW SIZE 8.13 |  | MODEL 141MR | BODY SIZE W11.10 H11.91 D 6.00 | PAGE 47 |
| WINDOW SIZE 5.75 |  | MODEL 135MR | BODY SIZE W9.21 H9.65 D3.00 | PAGE 35 | WINDOW SIZE 7.25 |  | MODEL 142 | BODY SIZE W11.10 H11.91 D 3.00 | PAGE 49 |
| WINDOW SIZE 5.50 |  | MODEL 137 | BODY SIZE W 9.88 H10.32 D 5.00 | PAGE 37 | WINDOW SIZE 7.25 |  | MODEL 142MR | BODY SIZE W11.10 H11.91 D 3.00 | PAGE 50 |
| WINDOW SIZE 5.50 |  | MODEL 137MR | BODY SIZE W 9.88 H10.32 D 5.00 | PAGE 38 | WINDOW SIZE 7.31 |  | MODEL 143 | BODY SIZE W11.10 H11.91 D 6.00 | PAGE 52 |

| | | | | | | | |
|--|---------------------------------|---|--------------------------|--|--|--|--------------------------|
| WINDOW SIZE 7.31  | MODEL 143MR | BODY SIZE W11.10 H11.91 D 6.00 | PAGE 53 | WINDOW SIZE 2.50  | MODELS 180RL 180SHT | BODY SIZE W4.57 H5.01 D2.19 | PAGE 65 |
| WINDOW SIZE 6.00  | MODEL 144 | BODY SIZE W11.10 H11.91 D 3.00 | PAGE 55 | WINDOW SIZE 2.50 1.25 1.50  | MODELS 181 182 183 | BODY SIZE W4.50 H4.88 D2.19 | PAGE 66 |
| WINDOW SIZE 6.00  | MODEL 144MR | BODY SIZE W11.10 H11.91 D 3.00 | PAGE 56 | WINDOW SIZE 1.25 1.75 2.13 2.50 3.06  | MODELS 191 192 193 194 195 | BODY SIZE W4.50 H5.32 D2.19 | PAGE 67 |
| WINDOW SIZE 6.00  | MODEL 145 | BODY SIZE W11.10 H11.91 D 6.00 | PAGE 58 | WINDOW SIZE 2.50 3.50 4.88 5.25 4.50  | MODELS 200 201 202 203 204 | BODY SIZE W 8.38 H10.15 D 4.62 | PAGE 70 |
| WINDOW SIZE 6.00  | MODEL 145MR | BODY SIZE W11.10 H11.91 D 6.00 | PAGE 59 | WINDOW SIZE 5.25  | MODEL 203MR | BODY SIZE W 8.38 H10.15 D 4.62 | PAGE 73 |
| WINDOW SIZE 8.75  | MODEL 146 | BODY SIZE W18.00 H21.63 D 4.00-5.50 | PAGE 61 | WINDOW SIZE 1.50 2.25 3.00 3.38 3.75  | MODELS 296 297 298 299 300 | BODY SIZE W5.96 H6.75 D3.00 | PAGE 75 |
| WINDOW SIZE 10.00  | MODEL 147 | BODY SIZE W14.50 H14.50 D 3.50 | PAGE 62 | WINDOW SIZE 4.50  | MODEL 306 | BODY SIZE W10.47 H11.42 D 2.38 | PAGE 78 |
| WINDOW SIZE 8.25  | MODEL 149 | BODY SIZE W11.30 H11.79 D 2.63 | PAGE 63 | WINDOW SIZE 4.50  | MODEL 306MR | BODY SIZE W10.47 H11.42 D 2.38 | PAGE 79 |
| WINDOW SIZE 4.25  | MODEL 170RL 170SHT | BODY SIZE W6.73 H7.17 D1.28 | PAGE 64 | WINDOW SIZE 4.50  | MODEL 307 | BODY SIZE W10.47 H11.42 D 4.09 | PAGE 81 |

| | | | | | | | | | |
|----------------------------|---|-----------------------|--|--------------------------|------------------------------------|--|-----------------------------|--|---------------------------|
| WINDOW SIZE 4.50 |  | MODEL 307MR | BODY SIZE W10.47 H11.42 D 4.09 | PAGE 82 | WINDOW SIZE 4.50 |  | MODEL 387 | BODY SIZE W14.50 H15.19 D 2.88 | PAGE 96 |
| WINDOW SIZE 5.75 |  | MODEL 308 | BODY SIZE W12.45 H13.39 D 2.40 | PAGE 84 | WINDOW SIZE 4.50 |  | MODEL 387MR | BODY SIZE W14.50 H15.19 D 2.88 | PAGE 97 |
| WINDOW SIZE 5.75 |  | MODEL 308MR | BODY SIZE W12.45 H13.39 D 2.40 | PAGE 85 | WINDOW SIZE 5.75 |  | MODEL 388 | BODY SIZE W14.50 H15.19 D 2.88 | PAGE 99 |
| WINDOW SIZE 5.75 |  | MODEL 309 | BODY SIZE W12.45 H13.40 D 4.12 | PAGE 87 | WINDOW SIZE 5.75 |  | MODEL 388MR | BODY SIZE W14.50 H15.19 D 2.88 | PAGE 100 |
| WINDOW SIZE 5.75 |  | MODEL 309MR | BODY SIZE W12.45 H13.40 D 4.12 | PAGE 88 | WINDOW SIZE 5.75 |  | MODEL 389 | BODY SIZE W14.50 H15.19 D 2.88 | PAGE 102 |
| WINDOW SIZE 4.50 |  | MODEL 311MR | BODY SIZE W10.47 H11.42 D 3.23 | PAGE 90 | WINDOW SIZE 5.75 |  | MODEL 389MR | BODY SIZE W14.50 H15.19 D 2.88 | PAGE 103 |
| WINDOW SIZE 4.50 |  | MODEL 385 | BODY SIZE W12.45 H13.39 D 1.75 | PAGE 92 | WINDOW SIZE 1.47 2.31 |  | MODELS 605 607 | BODY SIZE W4.69 H5.13 D1.38 | PAGE 105 |
| WINDOW SIZE 4.50 |  | MODEL 386 | BODY SIZE W14.50 H15.19 D 2.88 | PAGE 93 | WINDOW SIZE 12.00 |  | MODEL 750-SD | BODY SIZE W17.56 H17.56 D 7.25 | PAGE 106 |
| WINDOW SIZE 4.50 |  | MODEL 386MR | BODY SIZE W14.50 H15.19 D 2.88 | PAGE 94 | | | | | |

CURRENT TRANSFORMER

Model 2DARL

Window Diameter 1.0"

APPLICATION:
Ammeters, wattmeters, and cross current compensation.

FREQUENCY:
50-400 Hz.

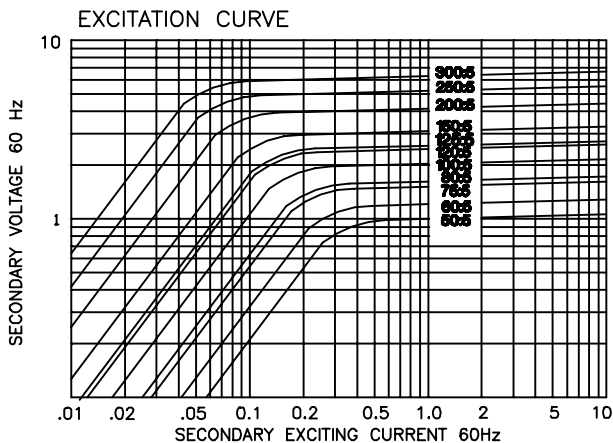
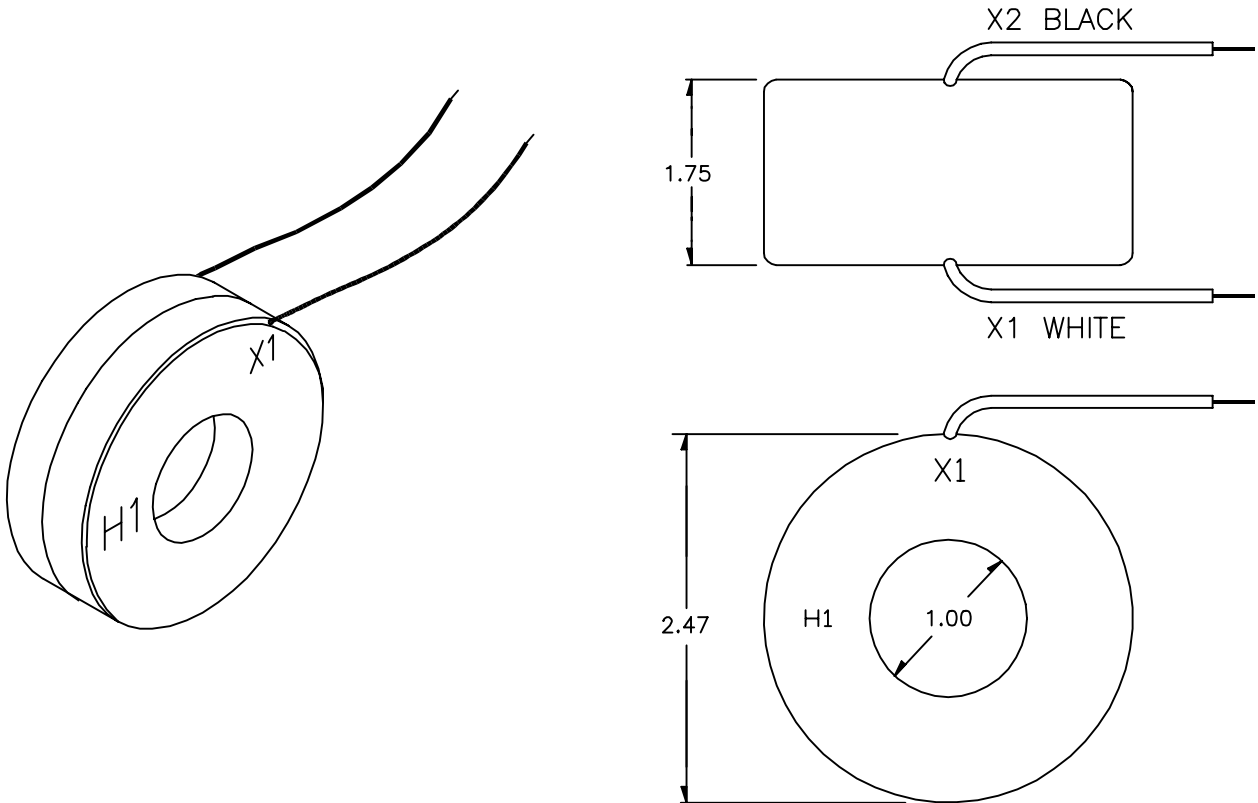
INSULATION LEVEL:
600 Volts, 10 kV BIL full wave.

- Flexible leads are UL 1015 105°C, CSA approved, #16 AWG, 24" long.
- Non-standard lead length can be specified.
- Approximate weight: 0.9 lbs.

REGULATORY AGENCY APPROVALS



Manufactured to meet the requirements of ANSI/IEEE C57.13.
Classified by U.L. in accordance with IEC 44-1



| CATALOG NUMBER | CURRENT RATIO | V.A. ± 1% CLASS | ANSI METERING CLASS AT 60 Hz | | | | | SECONDARY WINDING RESISTANCE (OHMS @ 75 °C) | CONTINUOUS THERMAL RATING FACTOR | |
|----------------|---------------|-----------------|------------------------------|------|------|------|------|---|----------------------------------|-------|
| | | | B0.1 | B0.2 | B0.5 | B0.9 | B1.8 | | @30°C | @55°C |
| 2DARL-500 | 50:5 | ± 2% 2.5 | 4.8 | - | - | - | - | 0.008 | 2.0 | 2.0 |
| 2DARL-600 | 60:5 | 2.5 | 1.2 | 4.8 | - | - | - | 0.011 | 2.0 | 2.0 |
| 2DARL-750 | 75:5 | 3.5 | 1.2 | 2.4 | - | - | - | 0.015 | 2.0 | 2.0 |
| 2DARL-800 | 80:5 | 4.0 | 1.2 | 2.4 | 4.8 | - | - | 0.016 | 2.0 | 2.0 |
| 2DARL-101 | 100:5 | 5.0 | 1.2 | 2.4 | 4.8 | - | - | 0.018 | 2.0 | 2.0 |
| 2DARL-121 | 120:5 | 5.0 | 1.2 | 2.4 | 2.4 | 4.8 | - | 0.022 | 2.0 | 2.0 |
| 2DARL-1250 | 125:5 | 5.0 | 0.6 | 1.2 | 2.4 | 4.8 | - | 0.028 | 2.0 | 1.5 |
| 2DARL-151 | 150:5 | 10.0 | 0.6 | 0.6 | 1.2 | 2.4 | 4.8 | 0.031 | 2.0 | 1.5 |
| 2DARL-201 | 200:5 | 12.5 | 0.3 | 0.3 | 1.2 | 1.2 | 2.4 | 0.047 | 1.5 | 1.33 |
| 2DARL-251 | 250:5 | 15.0 | 0.3 | 0.3 | 0.6 | 1.2 | 2.4 | 0.074 | 1.5 | 1.25 |
| 2DARL-301 | 300:5 | 20.0 | 0.3 | 0.3 | 0.6 | 0.6 | 1.2 | 0.089 | 1.5 | 1.0 |

CURRENT TRANSFORMER

Model 5DARL

Window Diameter 1.56"

APPLICATION:
Ammeters, wattmeters, and cross current compensation.

FREQUENCY:
50-400 Hz.

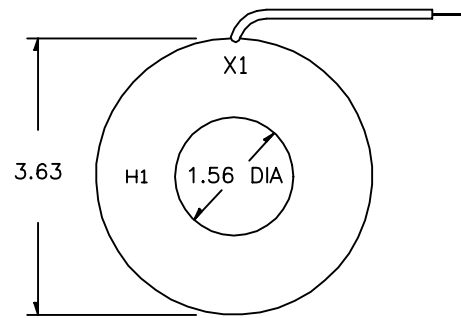
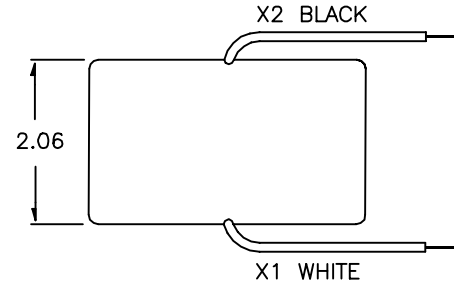
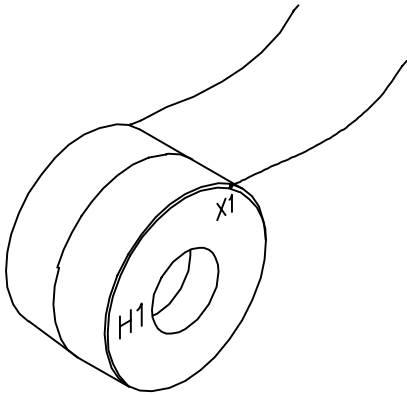
INSULATION LEVEL:
600 Volts, 10 kV BIL full wave.

REGULATORY AGENCY APPROVALS

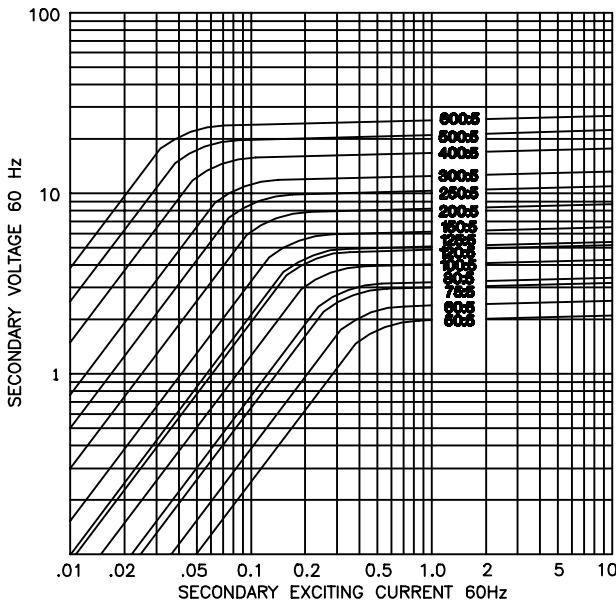
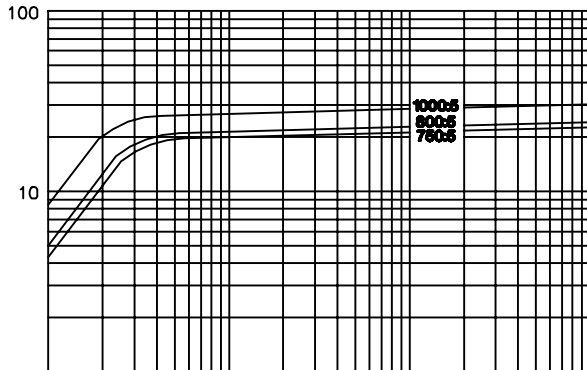


Manufactured to meet the requirements of ANSI/IEEE C57.13.
Classified by U.L. in accordance with IEC 44-1

- Flexible leads are UL 1015 105 ° C, CSA approved, #16 AWG, 24" long.
- Non-standard lead length can be specified.
- Approximate weight: 2 lbs.



EXCITATION CURVE



| CATALOG NUMBER | CURRENT RATIO | V.A. FOR ±1% CLASS | ANSI METERING CLASS AT 60 Hz | | | | | SECONDARY WINDING RESISTANCE (OHMS @ 75 ° C) | CONTINUOUS THERMAL RATING FACTOR | |
|----------------|---------------|--------------------|------------------------------|------|------|------|------|--|----------------------------------|-------|
| | | | B0.1 | B0.2 | B0.5 | B0.9 | B1.8 | | @30°C | @55°C |
| 5DARL- 500 | 50:5 | ±2% 2.5 | 2.4 | - | - | - | - | 0.010 | 2.0 | 2.0 |
| 5DARL- 600 | 60:5 | 2.5 | 1.2 | 4.8 | - | - | - | 0.014 | 2.0 | 2.0 |
| 5DARL- 750 | 75:5 | 3.5 | 1.2 | 2.4 | - | - | - | 0.018 | 2.0 | 2.0 |
| 5DARL- 800 | 80:5 | 4.0 | 1.2 | 2.4 | 4.8 | - | - | 0.021 | 2.0 | 2.0 |
| 5DARL- 101 | 100:5 | 5.0 | 0.6 | 1.2 | 4.8 | 4.8 | - | 0.029 | 2.0 | 2.0 |
| 5DARL- 121 | 120:5 | 7.5 | 0.6 | 0.6 | 2.4 | 4.8 | - | 0.035 | 2.0 | 2.0 |
| 5DARL-1250 | 125:5 | 7.5 | 0.6 | 0.6 | 2.4 | 4.8 | 4.8 | 0.036 | 2.0 | 2.0 |
| 5DARL- 151 | 150:5 | 10.0 | 0.6 | 0.6 | 1.2 | 2.4 | 4.8 | 0.042 | 2.0 | 2.0 |
| 5DARL- 201 | 200:5 | 12.5 | 0.6 | 0.6 | 0.6 | 1.2 | 2.4 | 0.058 | 2.0 | 1.5 |
| 5DARL- 251 | 250:5 | 20.0 | 0.3 | 0.3 | 0.6 | 1.2 | 2.4 | 0.078 | 2.0 | 1.5 |
| 5DARL- 301 | 300:5 | 25.0 | 0.3 | 0.3 | 0.6 | 1.2 | 1.2 | 0.084 | 1.5 | 1.33 |
| 5DARL- 401 | 400:5 | 40.0 | 0.3 | 0.3 | 0.3 | 0.6 | 1.2 | 0.111 | 1.5 | 1.0 |
| 5DARL- 501 | 500:5 | 50.0 | 0.3 | 0.3 | 0.3 | 0.3 | 0.6 | 0.175 | 1.5 | 1.0 |
| 5DARL- 601 | 600:5 | 60.0 | 0.3 | 0.3 | 0.3 | 0.3 | 0.6 | 0.152 | 1.0 | 0.8 |
| 5DARL- 751 | 750:5 | 70.0 | 0.3 | 0.3 | 0.3 | 0.3 | 0.6 | 0.190 | 1.33 | 1.0 |
| 5DARL- 801 | 800:5 | 75.0 | 0.3 | 0.3 | 0.3 | 0.3 | 0.3 | 0.202 | 1.33 | 1.0 |
| 5DARL- 102 | 1000:5 | 90.0 | 0.3 | 0.3 | 0.3 | 0.3 | 0.3 | 0.316 | 1.0 | 0.8 |

CURRENT TRANSFORMER

Model 5A

Window Diameter 1.56"

APPLICATION:
Ammeters and wattmeters.

FREQUENCY:
50-400 Hz.

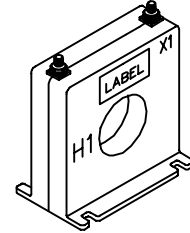
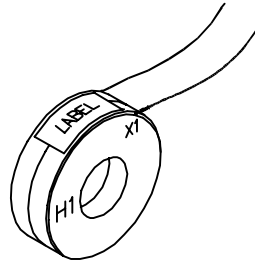
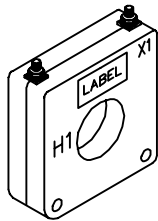
INSULATION LEVEL:
600 Volts, 10 kV BIL full wave.

- Terminals are brass studs No. 8-32 UNC with one flatwasher, lockwasher and regular nut.
- Flexible leads are UL 1015 105 ° C, CSA approved, #16 AWG, 24" long.
- Non-standard lead length can be specified.
- Order mounting bracket kit 0221B00180 separately when required for Model 5ASHT.
- Model 5ASHT and model 5ASFT also available as 5ASHL and 5ASFL with leads.
- Approximate weight: 1 lb.

REGULATORY AGENCY APPROVALS

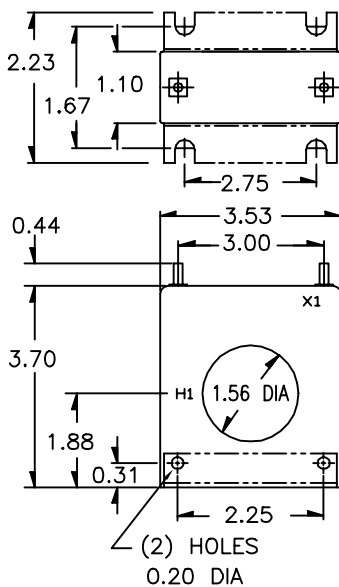


Manufactured to meet the requirements of ANSI/IEEE C57.13.
Classified by U.L. in accordance with IEC 44-1

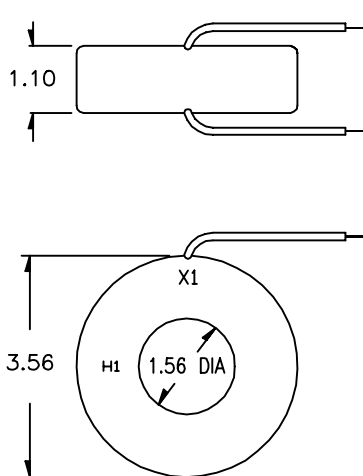


(4) OPEN SLOTS
0.22 X 0.34

5ASHT

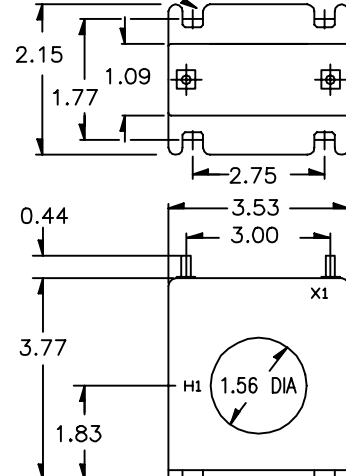


5ARL



(4) OPEN SLOTS
0.21 X 0.31

5ASFT



| CATALOG NUMBER | CURRENT RATIO | V.A. FOR ±1% CLASS | ANSI METERING CLASS AT 60 Hz | | | | | SECONDARY WINDING RESISTANCE (OHMS @ 75°C) | CONTINUOUS THERMAL RATING FACTOR | |
|----------------|---------------|--------------------|------------------------------|------|------|------|------|--|----------------------------------|--------|
| | | | B0.1 | B0.2 | B0.5 | B0.9 | B1.8 | | @ 30°C | @ 55°C |
| 5A**- 500 | 50:5 | 1.0 | 4.8 | - | - | - | - | 0.009 | 2.0 | 2.0 |
| 5A**- 750 | 75:5 | 1.0 | 2.4 | 4.8 | - | - | - | 0.010 | 2.0 | 2.0 |
| 5A**- 101 | 100:5 | 1.0 | 1.2 | 2.4 | - | - | - | 0.012 | 2.0 | 2.0 |
| 5A**- 151 | 150:5 | 5.0 | 0.6 | 1.2 | 2.4 | 4.8 | - | 0.019 | 2.0 | 2.0 |
| 5A**- 201 | 200:5 | 5.0 | 0.6 | 0.6 | 1.2 | 2.4 | 4.8 | 0.024 | 2.0 | 2.0 |
| 5A**- 251 | 250:5 | 12.5 | 0.3 | 0.3 | 1.2 | 2.4 | 2.4 | 0.033 | 2.0 | 1.5 |
| 5A**- 301 | 300:5 | 15.0 | 0.3 | 0.3 | 0.6 | 1.2 | 2.4 | 0.040 | 2.0 | 1.5 |
| 5A**- 401 | 400:5 | 20.0 | 0.3 | 0.3 | 0.6 | 1.2 | 1.2 | 0.091 | 1.5 | 1.0 |
| 5A**- 501 | 500:5 | 25.0 | 0.3 | 0.3 | 0.6 | 0.6 | 1.2 | 0.105 | 1.33 | 0.8 |
| 5A**- 601 | 600:5 | 30.0 | 0.3 | 0.3 | 0.3 | 0.6 | 1.2 | 0.158 | 1.0 | 0.8 |
| * 5A**- 751 | 750:5 | 30.0 | 0.3 | 0.3 | 0.3 | 0.6 | 0.6 | 0.147 | 1.0 | 0.8 |
| * 5A**- 801 | 800:5 | 30.0 | 0.3 | 0.3 | 0.3 | 0.6 | 0.6 | 0.156 | 1.0 | 0.8 |
| * 5A**- 102 | 1000:5 | 35.0 | 0.3 | 0.3 | 0.3 | 0.3 | 0.6 | 0.196 | 1.0 | 0.8 |
| * 5A**- 122 | 1200:5 | 40.0 | 0.3 | 0.3 | 0.3 | 0.3 | 0.3 | 0.291 | 1.0 | 0.6 |

** NOTE: When ordering, prefix Cat No. with model designation required, i.e. 5ASHT-501, 5ARL-501, etc.

CURRENT TRANSFORMER

Model 6A

Window Diameter 2.06"

APPLICATION:
Ammeters and wattmeters.

FREQUENCY:
50-400 Hz.

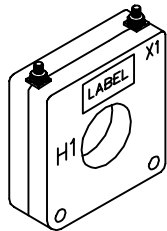
INSULATION LEVEL:
600 Volts, 10 kV BIL full wave.

REGULATORY AGENCY APPROVALS



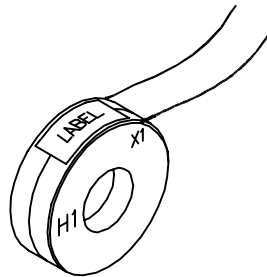
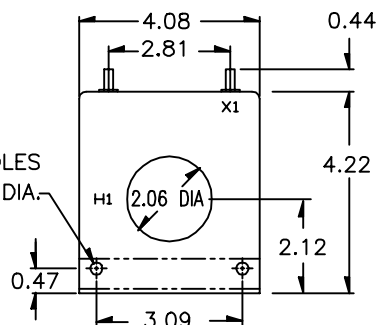
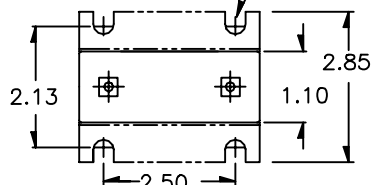
Manufactured to meet the requirements of ANSI/IEEE C57.13.
Classified by U.L. in accordance with IEC 44-1

- Terminals are brass studs No. 8-32 UNC with one flat washer, lockwasher and regular nut.
- Flexible leads are UL 1015 105° C, CSA approved, #16 AWG, 24" long.
- Non-standard lead length can be specified.
- Order mounting bracket kit 0221B00181 separately when required for Model 6ASHT.
- Model 6ASHT and model 6ASFT also available as 6ASHL and 6ASFL with leads.
- Approximate weight: 1.25 lbs.

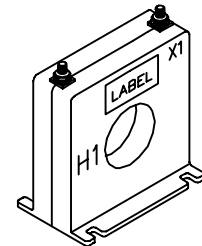
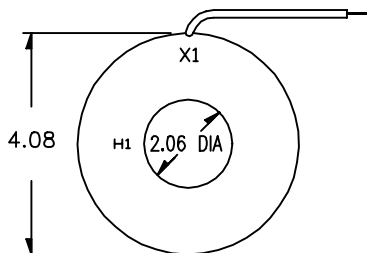
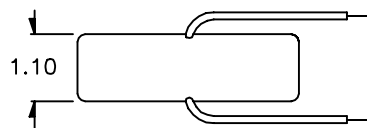


6ASHT

(4) OPEN SLOTS
0.22 X 0.47

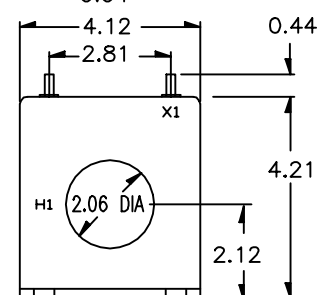
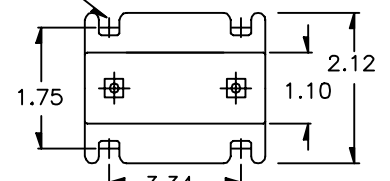


6ARL



6ASFT

(4) OPEN SLOTS
0.25 X 0.31



| CATALOG NUMBER | CURRENT RATIO | V.A. FOR ±1% CLASS | ANSI METERING CLASS AT 60 Hz | | | | | SECONDARY WINDING RESISTANCE (OHMS @ 75°C) | CONTINUOUS THERMAL RATING FACTOR | |
|----------------|---------------|--------------------|------------------------------|------|------|------|------|--|----------------------------------|-------|
| | | | B0.1 | B0.2 | B0.5 | B0.9 | B1.8 | | @30°C | @55°C |
| 6A**-101 | 100:5 | 1.0 | 1.2 | 2.4 | - | - | - | 0.015 | 2.0 | 2.0 |
| 6A**-151 | 150:5 | 5.0 | 1.2 | 1.2 | 2.4 | 4.8 | - | 0.024 | 2.0 | 2.0 |
| 6A**-201 | 200:5 | 5.0 | 0.6 | 1.2 | 2.4 | 2.4 | 4.8 | 0.037 | 2.0 | 2.0 |
| 6A**-251 | 250:5 | 7.5 | 0.3 | 0.6 | 1.2 | 2.4 | 4.8 | 0.044 | 2.0 | 1.5 |
| 6A**-301 | 300:5 | 12.5 | 0.3 | 0.3 | 1.2 | 2.4 | 2.4 | 0.055 | 2.0 | 1.5 |
| 6A**-401 | 400:5 | 15.0 | 0.3 | 0.3 | 0.6 | 1.2 | 1.2 | 0.071 | 1.5 | 1.33 |
| 6A**-501 | 500:5 | 25.0 | 0.3 | 0.3 | 0.6 | 1.2 | 1.2 | 0.107 | 1.5 | 1.0 |
| 6A**-601 | 600:5 | 30.0 | 0.3 | 0.3 | 0.6 | 0.6 | 1.2 | 0.128 | 1.33 | 1.0 |
| 6A**-751 | 750:5 | 30.0 | 0.3 | 0.3 | 0.3 | 0.6 | 1.2 | 0.156 | 1.25 | 1.0 |
| 6A**-801 | 800:5 | 35.0 | 0.3 | 0.3 | 0.3 | 0.6 | 0.6 | 0.167 | 1.25 | 0.8 |
| 6A**-102 | 1000:5 | 35.0 | 0.3 | 0.3 | 0.3 | 0.3 | 0.6 | 0.208 | 1.0 | 0.8 |
| 6A**-122 | 1200:5 | 40.0 | 0.3 | 0.3 | 0.3 | 0.3 | 0.3 | 0.250 | 1.0 | 0.8 |
| 6A**-152 | 1500:5 | 50.0 | 0.3 | 0.3 | 0.3 | 0.3 | 0.3 | 0.388 | 1.0 | 0.8 |

** NOTE: When ordering, prefix Cat No. with model designation required, i.e. 6ASHT-201, or 6ARL-301 etc.

CURRENT TRANSFORMER

Model 7A

Window Diameter 2.50"

APPLICATION:
Ammeters and wattmeters.

FREQUENCY:
50–400 Hz.

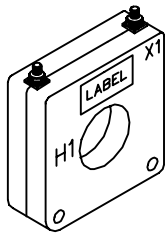
INSULATION LEVEL:
600 Volts, 10 kV BIL full wave.

- Terminals are brass studs No. 8–32 UNC with one flat washer, lockwasher and regular nut.
- Flexible leads are UL 1015 105°C., CSA approved, #16 AWG, 24" long.
- Non-standard lead length can be specified.
- Order mounting bracket kit 0221B00182 separately when required for Model 7ASHT.
- Model 7ASHT and model 7ASFT also available as 7ASHL and 7ASFL with leads.
- Approximate weight: 1.5 lbs.

REGULATORY AGENCY APPROVALS

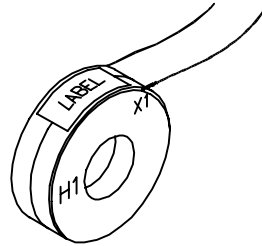
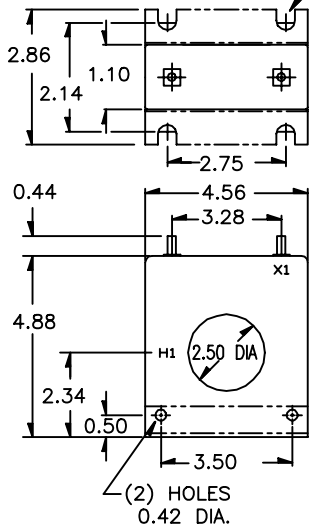


Manufactured to meet the requirements of ANSI/IEEE C57.13.
Classified by U.L. in accordance with IEC 44–1

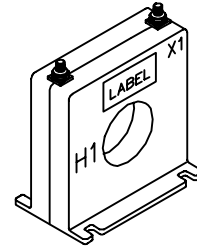
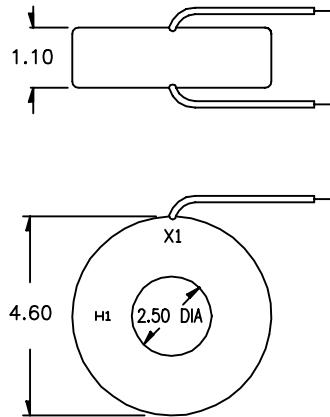


7A SHT

(4) OPEN SLOTS
0.22 X 0.47

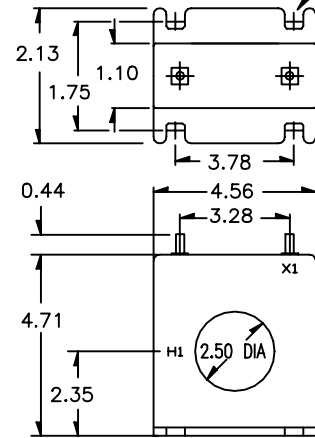


7A RL



7A SFT

(4) OPEN SLOTS
0.25 X 0.31



| CATALOG NUMBER | CURRENT RATIO | V.A. FOR ±1% CLASS | ANSI METERING CLASS AT 60 Hz | | | | | SECONDARY WINDING RESISTANCE (OHMS @ 75°C) | CONTINUOUS THERMAL RATING FACTOR | |
|----------------|---------------|--------------------|------------------------------|------|------|------|------|--|----------------------------------|-------|
| | | | B0.1 | B0.2 | B0.5 | B0.9 | B1.8 | | @30°C | @55°C |
| 7A **-101 | 100:5 | 1.0 | 1.2 | 4.8 | — | — | — | 0.014 | 2.0 | 2.0 |
| 7A **-151 | 150:5 | 2.5 | 0.6 | 1.2 | 4.8 | 4.8 | — | 0.025 | 2.0 | 2.0 |
| 7A **-201 | 200:5 | 5.0 | 0.6 | 1.2 | 2.4 | 4.8 | 4.8 | 0.035 | 2.0 | 2.0 |
| 7A **-251 | 250:5 | 7.5 | 0.3 | 0.6 | 1.2 | 2.4 | 4.8 | 0.043 | 2.0 | 2.0 |
| 7A **-301 | 300:5 | 12.5 | 0.3 | 0.3 | 1.2 | 2.4 | 2.4 | 0.052 | 2.0 | 1.5 |
| 7A **-401 | 400:5 | 15.0 | 0.3 | 0.3 | 0.6 | 1.2 | 2.4 | 0.069 | 2.0 | 1.5 |
| 7A **-501 | 500:5 | 25.0 | 0.3 | 0.3 | 0.6 | 1.2 | 1.2 | 0.108 | 1.5 | 1.0 |
| 7A **-601 | 600:5 | 30.0 | 0.3 | 0.3 | 0.6 | 0.6 | 1.2 | 0.130 | 1.5 | 1.0 |
| 7A **-751 | 750:5 | 30.0 | 0.3 | 0.3 | 0.3 | 0.6 | 0.6 | 0.163 | 1.33 | 1.0 |
| 7A **-801 | 800:5 | 35.0 | 0.3 | 0.3 | 0.3 | 0.6 | 0.6 | 0.173 | 1.33 | 1.0 |
| 7A **-102 | 1000:5 | 35.0 | 0.3 | 0.3 | 0.3 | 0.6 | 0.6 | 0.157 | 1.33 | 1.0 |
| 7A **-122 | 1200:5 | 40.0 | 0.3 | 0.3 | 0.3 | 0.3 | 0.6 | 0.234 | 1.0 | 1.0 |
| 7A **-152 | 1500:5 | 50.0 | 0.3 | 0.3 | 0.3 | 0.3 | 0.3 | 0.292 | 1.0 | 0.8 |
| 7A **-162 | 1600:5 | 50.0 | 0.3 | 0.3 | 0.3 | 0.3 | 0.3 | 0.312 | 1.0 | 0.8 |

** NOTE: When ordering, prefix catalog number with model designation required, i.e. 7ASHT–201, or 7ARL–301 etc.

CURRENT TRANSFORMERS

Model 8

Window Diameter 3.25"

APPLICATION:
Metering.

FREQUENCY:
50-400 Hz.

INSULATION LEVEL:
600V, 10 kV BIL full wave.

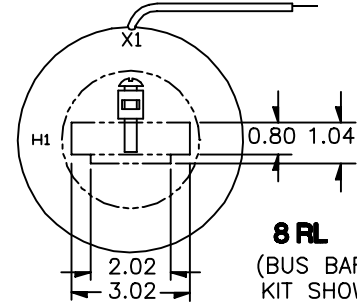
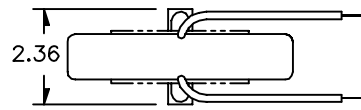
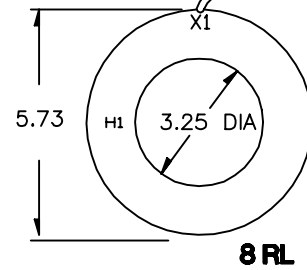
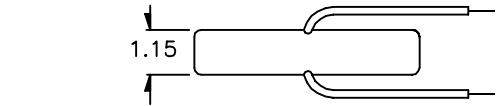
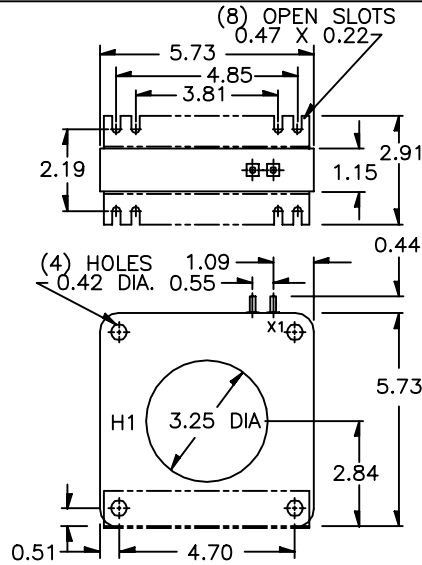
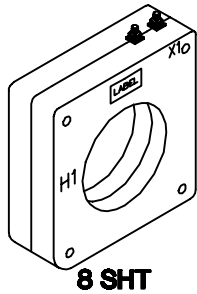
REGULATORY AGENCY APPROVALS



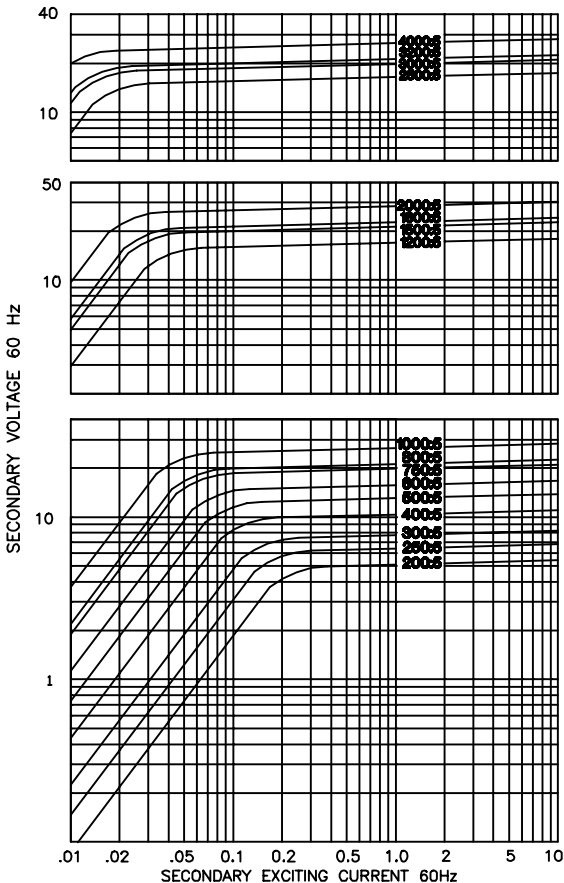
Manufactured to meet the requirements of ANSI/IEEE C57.13.
Classified by U.L. in accordance with IEC 44-1

Approved for revenue metering by Industry Canada. No. T-188(*)

- Terminals are brass studs No. 8-32 UNC with one flatwasher, lockwasher and regular nut.
- Flexible leads are UL 1015 105 °C CSA, approved, #16 AWG, 24" long.
- Non-standard lead length can be specified.
- Model 8SHT also available as 8SHL with leads.
- Order mounting bracket kit 0221B00183 separately when required for Model 8SHT.
- Order bus bar mounting kit 0221A26074 separately, factory installed.
- Approximate weight 2.5 lbs.



EXCITATION CURVE



| CATALOG NUMBER | CURRENT RATIO | V.A. FOR ± 1% CLASS | ANSI METERING CLASS AT 60 Hz | | | | | SECONDARY WINDING RESISTANCE (OHMS @ 75 °C) | CONTINUOUS THERMAL RATING FACTOR | |
|----------------|---------------|---------------------|------------------------------|------|------|------|------|---|----------------------------------|-------|
| | | | B0.1 | B0.2 | B0.5 | B0.9 | B1.8 | | @30°C | @55°C |
| 8 **-201 | 200:5 | 5.0 | 1.2 | 1.2 | 2.4 | 4.8 | 4.8 | 0.030 | 2.0 | 2.0 |
| 8 **-251 | 250:5* | 7.5 | 0.6 | 0.6 | 1.2 | 2.4 | 4.8 | 0.044 | 2.0 | 2.0 |
| 8 **-301 | 300:5* | 15.0 | 0.6 | 0.6 | 1.2 | 2.4 | 2.4 | 0.049 | 2.0 | 2.0 |
| 8 **-401 | 400:5* | 25.0 | 0.3 | 0.3 | 0.6 | 1.2 | 2.4 | 0.079 | 2.0 | 1.5 |
| 8 **-501 | 500:5* | 35.0 | 0.3 | 0.3 | 0.6 | 0.6 | 1.2 | 0.102 | 2.0 | 1.5 |
| 8 **-601 | 600:5* | 50.0 | 0.3 | 0.3 | 0.6 | 0.6 | 1.2 | 0.147 | 1.5 | 1.33 |
| 8 **-751 | 750:5* | 50.0 | 0.3 | 0.3 | 0.3 | 0.6 | 1.2 | 0.184 | 1.5 | 1.0 |
| 8 **-801 | 800:5* | 60.0 | 0.3 | 0.3 | 0.3 | 0.6 | 0.6 | 0.197 | 1.5 | 1.0 |
| 8 **-102 | 1000:5* | 75.0 | 0.3 | 0.3 | 0.3 | 0.3 | 0.6 | 0.246 | 1.33 | 1.0 |
| 8 **-122 | 1200:5* | 75.0 | 0.3 | 0.3 | 0.3 | 0.3 | 0.3 | 0.169 | 1.5 | 1.0 |
| 8 **-152 | 1500:5* | 90.0 | 0.3 | 0.3 | 0.3 | 0.3 | 0.3 | 0.316 | 1.33 | 1.0 |
| 8 **-162 | 1600:5* | 100.0 | 0.3 | 0.3 | 0.3 | 0.3 | 0.3 | 0.337 | 1.33 | 0.8 |
| 8 **-202 | 2000:5* | 120.0 | 0.3 | 0.3 | 0.3 | 0.3 | 0.3 | 0.422 | 1.0 | 0.8 |
| 8 **-252 | 2500:5* | 50.0 | 0.3 | 0.3 | 0.3 | 0.3 | 0.3 | 0.438 | 1.0 | 0.8 |
| 8 **-302 | 3000:5 | 60.0 | 0.3 | 0.3 | 0.3 | 0.3 | 0.3 | 0.526 | 1.0 | 0.8 |
| 8 **-322 | 3200:5 | 70.0 | 0.3 | 0.3 | 0.3 | 0.3 | 0.3 | 0.561 | 1.0 | 0.8 |
| 8 **-402 | 4000:5 | 80.0 | 0.3 | 0.3 | 0.3 | 0.3 | 0.3 | 0.973 | 0.8 | 0.6 |

** NOTE: When ordering, prefix catalog number with model designation required, i.e. 8SHT-201, 8RL-301, etc.

CURRENT TRANSFORMER

Model 10

Window Diameter 1.56"

APPLICATION:
Metering.

FREQUENCY:
50-400 Hz.

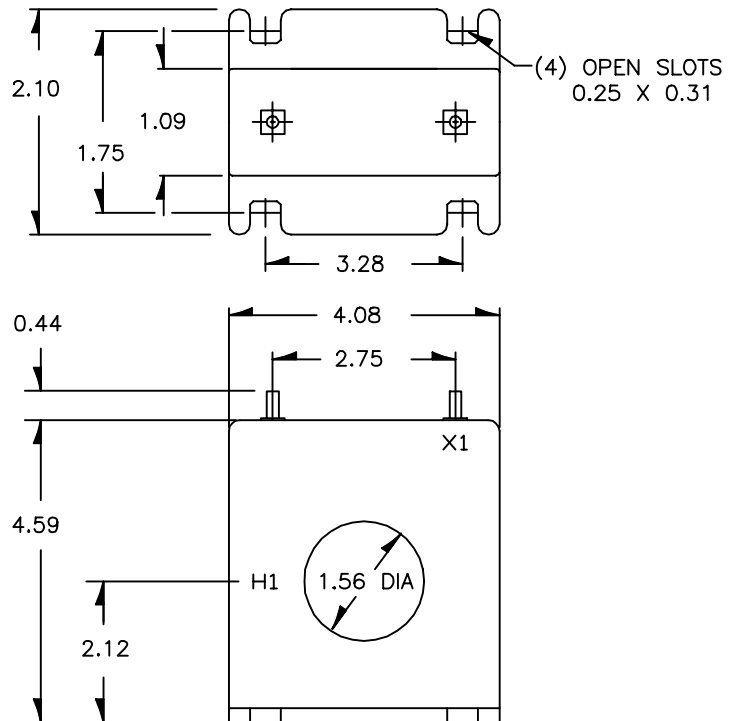
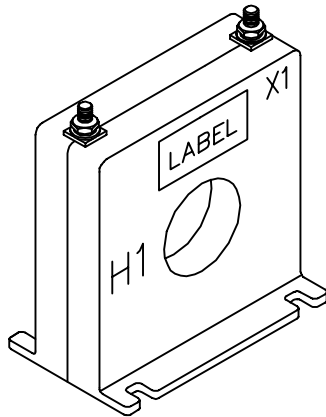
INSULATION LEVEL:
600 Volts, 10 kV BIL full wave.

- Terminals are brass studs No. 8-32 UNC with one flatwasher, lockwasher and regular nut.
- Approximate weight 2.5 lbs.

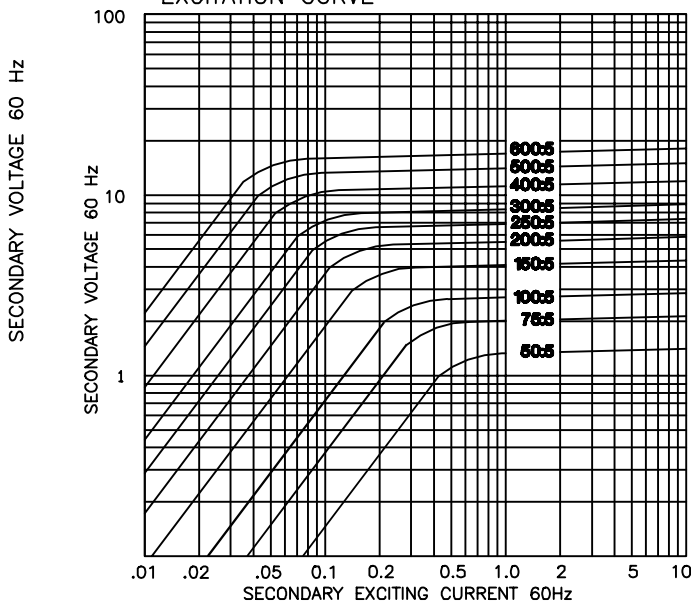
REGULATORY AGENCY APPROVALS



Manufactured to meet the requirements of ANSI/IEEE C57.13.
Classified by U.L. in accordance with IEC 44-1



EXCITATION CURVE



| CATALOG NUMBER | CURRENT RATIO | V.A. FOR ± 1% CLASS | ANSI METERING CLASS AT 60 Hz | | | | | SECONDARY WINDING RESISTANCE (OHMS @ 75° C) | CONTINUOUS THERMAL RATING FACTOR | |
|----------------|---------------|---------------------|------------------------------|------|------|------|------|---|----------------------------------|--------|
| | | | B0.1 | B0.2 | B0.5 | B0.9 | B1.8 | | @ 30°C | @ 55°C |
| 10SFT-500 | 50:5 | 2.0 ± 2% | 4.8 | - | - | - | - | 0.007 | 2.0 | 2.0 |
| 10SFT-750 | 75:5 | 2.5 | 1.2 | 4.8 | - | - | - | 0.010 | 2.0 | 2.0 |
| 10SFT-101 | 100:5 | 3.0 | 1.2 | 2.4 | 4.8 | - | - | 0.018 | 2.0 | 2.0 |
| 10SFT-151 | 150:5 | 5.0 | 0.6 | 0.6 | 2.4 | 4.8 | - | 0.031 | 2.0 | 2.0 |
| 10SFT-201 | 200:5 | 7.5 | 0.3 | 0.6 | 1.2 | 2.4 | 4.8 | 0.043 | 2.0 | 1.5 |
| 10SFT-251 | 250:5 | 10.0 | 0.3 | 0.3 | 1.2 | 1.2 | 2.4 | 0.053 | 2.0 | 1.5 |
| 10SFT-301 | 300:5 | 15.0 | 0.3 | 0.3 | 0.6 | 1.2 | 2.4 | 0.070 | 2.0 | 1.5 |
| 10SFT-401 | 400:5 | 20.0 | 0.3 | 0.3 | 0.3 | 0.6 | 1.2 | 0.114 | 1.5 | 1.0 |
| 10SFT-501 | 500:5 | 30.0 | 0.3 | 0.3 | 0.3 | 0.6 | 1.2 | 0.128 | 1.33 | 1.0 |
| 10SFT-601 | 600:5 | 40.0 | 0.3 | 0.3 | 0.3 | 0.6 | 0.6 | 0.192 | 1.33 | 0.8 |

CURRENT TRANSFORMER

Model 19

Window Diameter 4.25"

APPLICATION:
Metering.

FREQUENCY:
50-400 Hz.

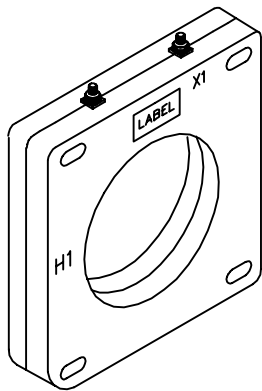
INSULATION LEVEL:
600V, 10 kV BIL full wave.

REGULATORY AGENCY APPROVALS

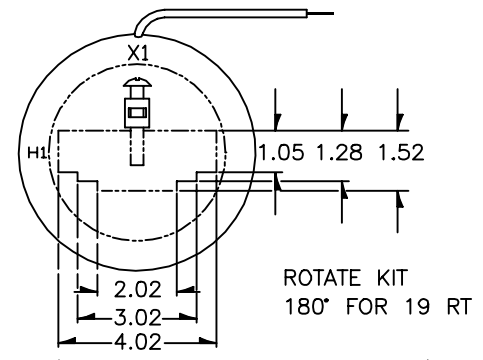
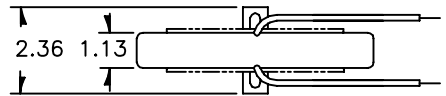
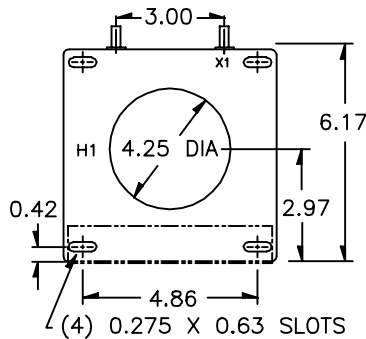
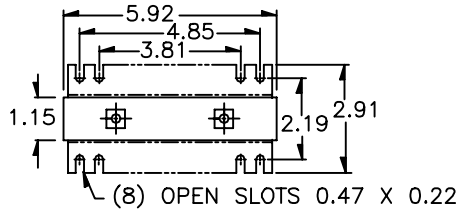


Manufactured to meet the requirements of ANSI/IEEE C57.13.
Classified by U.L. in accordance with IEC 44-1

- SHT terminals are brass studs No. 8-32 with one flatwasher, lockwasher and regular nut.
- RT terminals are brass studs No. 10-32 with one flatwasher, lockwasher and regular nut.
- Flexible leads are UL 1015, 105°C CSA approved, #16AWG, 24" long.
- Non-standard lead length can be specified
- Order mounting bracket kit 0221B00183 separately for Model 19SHT.
- Order bus bar mounting kit 0221A26075 separately, factory installed.
- Approximate weight 3 lbs.

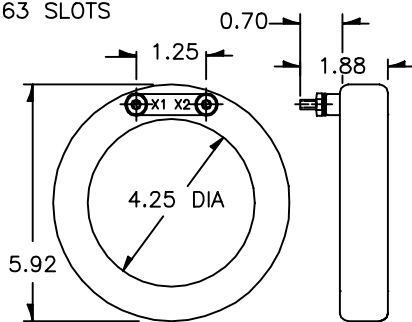
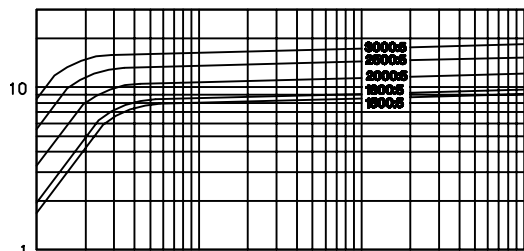


19 SHT

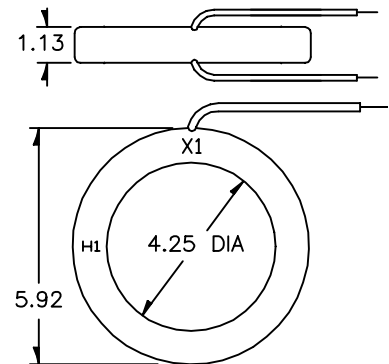


19 RL (BUS BAR MOUNTING KIT SHOWN)

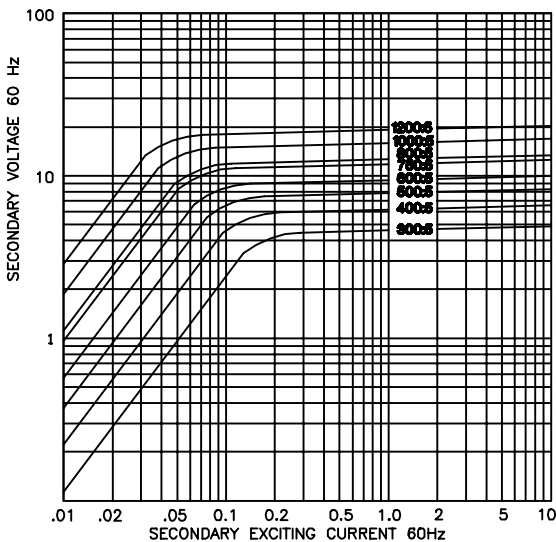
EXCITATION CURVE



19 RT



19 RL



| CATALOG NUMBER | CURRENT RATIO | VA FOR ±1% CLASS | ANSI METERING CLASS AT 60 Hz | | | | | SECONDARY WINDING RESISTANCE (OHMS @ 75°C) | CONTINUOUS THERMAL RATING FACTOR | |
|----------------|---------------|------------------|------------------------------|------|------|------|------|--|----------------------------------|-------|
| | | | B0.1 | B0.2 | B0.5 | B0.9 | B1.8 | | @30°C | @55°C |
| 19 ** -301 | 300:5 | 4.0 | 0.6 | 0.6 | 2.4 | 2.4 | 4.8 | 0.048 | 2.0 | 2.0 |
| 19 ** -401 | 400:5 | 10.0 | 0.3 | 0.3 | 1.2 | 2.4 | 2.4 | 0.064 | 2.0 | 2.0 |
| 19 ** -501 | 500:5 | 15.0 | 0.3 | 0.3 | 0.6 | 1.2 | 2.4 | 0.087 | 2.0 | 1.5 |
| 19 ** -601 | 600:5 | 15.0 | 0.3 | 0.3 | 0.6 | 1.2 | 1.2 | 0.116 | 2.0 | 1.5 |
| 19 ** -751 | 750:5 | 25.0 | 0.3 | 0.3 | 0.3 | 0.6 | 1.2 | 0.145 | 1.5 | 1.33 |
| 19 ** -801 | 800:5 | 30.0 | 0.3 | 0.3 | 0.3 | 0.6 | 1.2 | 0.155 | 1.5 | 1.33 |
| 19 ** -102 | 1000:5 | 30.0 | 0.3 | 0.3 | 0.3 | 0.6 | 1.2 | 0.242 | 1.33 | 1.0 |
| 19 ** -122 | 1200:5 | 40.0 | 0.3 | 0.3 | 0.3 | 0.3 | 0.6 | 0.291 | 1.33 | 1.0 |
| 19 ** -152 | 1500:5 | 15.0 | 0.3 | 0.3 | 0.6 | 0.6 | 0.6 | 0.200 | 1.5 | 1.0 |
| 19 ** -162 | 1600:5 | 15.0 | 0.3 | 0.3 | 0.3 | 0.6 | 0.6 | 0.213 | 1.5 | 1.0 |
| 19 ** -202 | 2000:5 | 20.0 | 0.3 | 0.3 | 0.3 | 0.3 | 0.6 | 0.266 | 1.33 | 1.0 |
| 19 ** -252 | 2500:5 | 20.0 | 0.3 | 0.3 | 0.3 | 0.3 | 0.3 | 0.333 | 1.0 | 0.8 |
| 19 ** -302 | 3000:5 | 25.0 | 0.3 | 0.3 | 0.3 | 0.3 | 0.3 | 0.399 | 1.0 | 0.8 |

** NOTE: When ordering, prefix catalog number with model designation required. i.e. 19RL-301, or 19SHT-301 etc.

CURRENT TRANSFORMERS

Models 21, 22, 23, 24, 25

Window Diameters
1.25", 1.63", 2.00",
2.50", 3.13"

APPLICATION:
Relaying and metering.

FREQUENCY:
50-400 Hz.

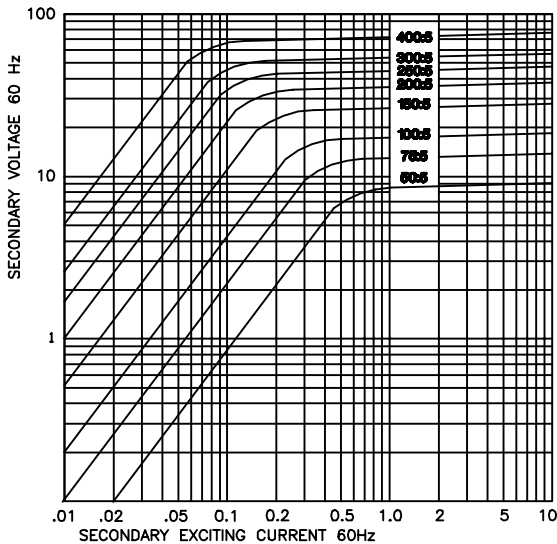
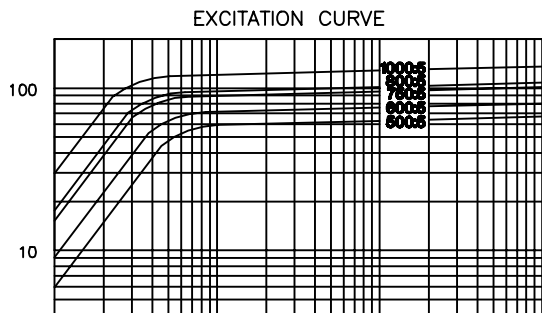
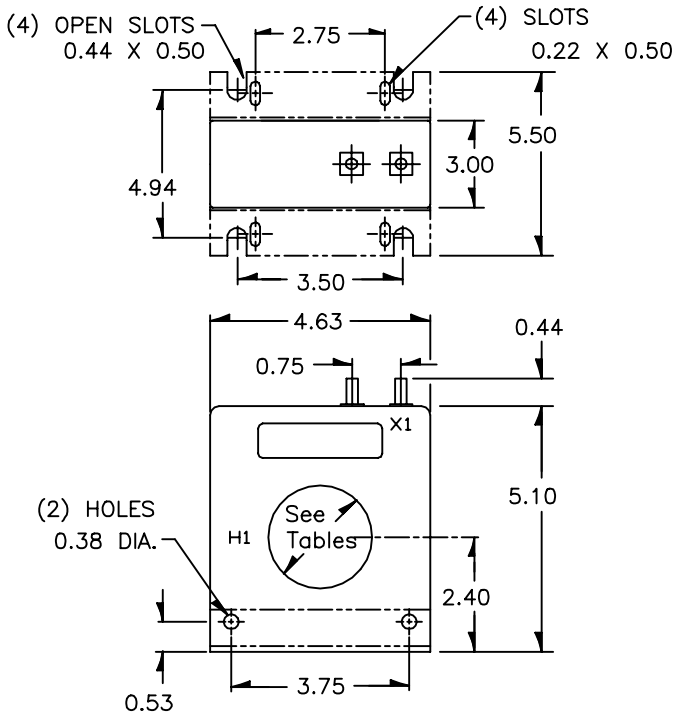
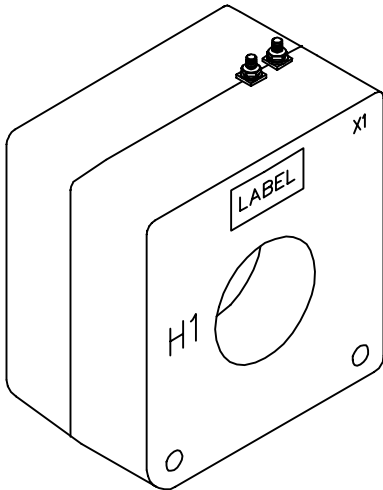
INSULATION LEVEL:
600 Volts, 10 kV BIL full wave.

REGULATORY AGENCY APPROVALS



Manufactured to meet the requirements of ANSI/IEEE C57.13.
Classified by U.L. in accordance with IEC 44-1

- Terminals are brass studs No. 8-32 UNC with one flatwasher, lockwasher and regular nut.
- Order mounting bracket kit 0221B00541 separately.
- Multi-ratios available upon request.
- Approximate weight 10 lbs.



CURRENT TRANSFORMER MODEL 21

Window Diameter 1.25"

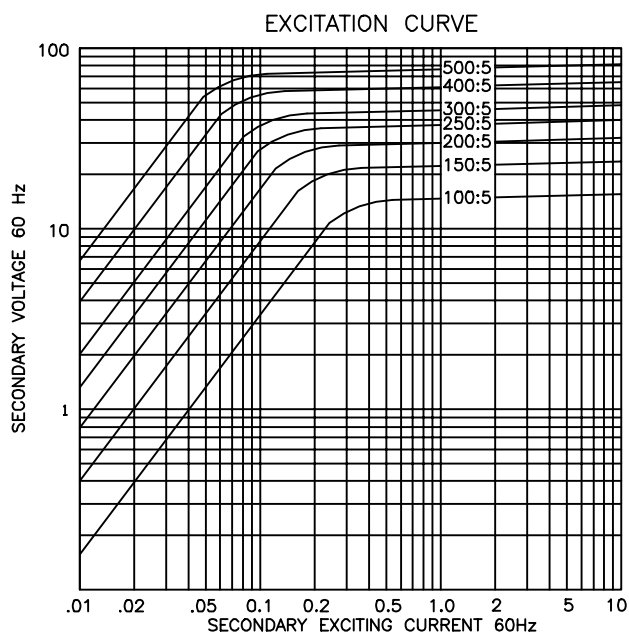
Approximate weight: 10 lbs.

| CATALOG NUMBER | CURRENT RATIO | RELAY CLASS | ANSI METERING CLASS AT 60 Hz | | | | | SECONDARY WINDING RESISTANCE (OHMS @ 75 °C) | CONTINUOUS THERMAL RATING FACTOR | |
|----------------|---------------|-------------|------------------------------|------|------|------|------|---|----------------------------------|--------|
| | | | B0.1 | B0.2 | B0.5 | B0.9 | B1.8 | | @ 30°C | @ 55°C |
| 21 - 500 | 50:5 | - | 1.2 | 2.4 | - | - | - | 0.026 | 2.0 | 2.0 |
| 21 - 750 | 75:5 | C10 | 0.6 | 1.2 | 2.4 | 4.8 | - | 0.042 | 2.0 | 2.0 |
| 21 - 101 | 100:5 | C10 | 0.6 | 1.2 | 1.2 | 2.4 | 4.8 | 0.063 | 2.0 | 2.0 |
| 21 - 151 | 150:5 | C20 | 0.3 | 0.6 | 0.6 | 1.2 | 2.4 | 0.098 | 2.0 | 1.5 |
| 21 - 201 | 200:5 | C20 | 0.3 | 0.3 | 0.6 | 0.6 | 1.2 | 0.126 | 2.0 | 1.5 |
| 21 - 251 | 250:5 | C20 | 0.3 | 0.3 | 0.3 | 0.6 | 1.2 | 0.158 | 1.5 | 1.5 |
| 21 - 301 | 300:5 | C20 | 0.3 | 0.3 | 0.3 | 0.3 | 0.3 | 0.168 | 1.5 | 1.33 |
| 21 - 401 | 400:5 | C50 | 0.3 | 0.3 | 0.3 | 0.3 | 0.3 | 0.253 | 1.5 | 1.0 |
| 21 - 501 | 500:5 | C20 | 0.3 | 0.3 | 0.3 | 0.3 | 0.6 | 0.283 | 1.5 | 1.0 |
| 21 - 601 | 600:5 | C50 | 0.3 | 0.3 | 0.3 | 0.3 | 0.3 | 0.339 | 1.33 | 1.0 |
| 21 - 751 | 750:5 | C50 | 0.3 | 0.3 | 0.3 | 0.3 | 0.3 | 0.424 | 1.0 | 0.8 |
| 21 - 801 | 800:5 | C50 | 0.3 | 0.3 | 0.3 | 0.3 | 0.3 | 0.452 | 1.0 | 0.8 |
| 21 - 102 | 1000:5 | C100 | 0.3 | 0.3 | 0.3 | 0.3 | 0.3 | 0.565 | 1.0 | 0.8 |

CURRENT TRANSFORMER MODEL 22

Window Diameter 1.63"

Approximate weight: 9 lbs.

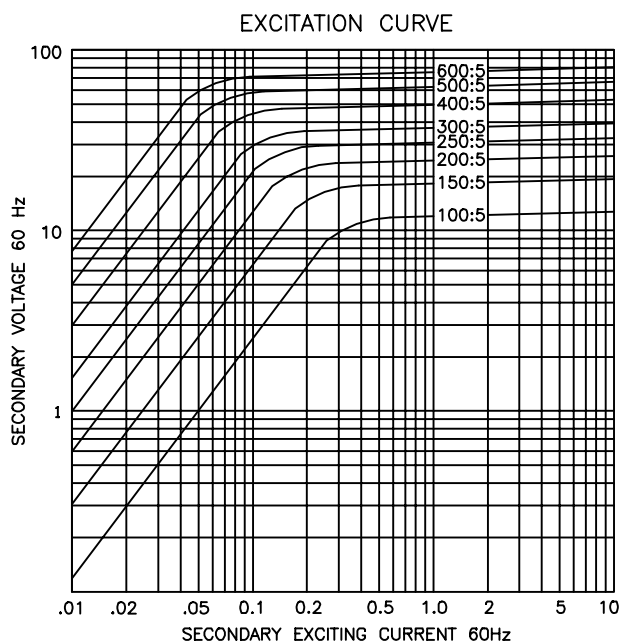


| CATALOG NUMBER | CURRENT RATIO | RELAY CLASS | ANSI METERING CLASS AT 60 Hz | | | | | SECONDARY WINDING RESISTANCE (OHMS @ 75 °C) | CONTINUOUS THERMAL RATING FACTOR | |
|----------------|---------------|-------------|------------------------------|------|------|------|------|---|----------------------------------|-------|
| | | | B0.1 | B0.2 | B0.5 | B0.9 | B1.8 | | @30°C | @55°C |
| 22-101 | 100:5 | C10 | 0.6 | 1.2 | 2.4 | 2.4 | 4.8 | 0.060 | 2.0 | 2.0 |
| 22-151 | 150:5 | C10 | 0.3 | 0.6 | 1.2 | 1.2 | 2.4 | 0.090 | 2.0 | 2.0 |
| 22-201 | 200:5 | C20 | 0.3 | 0.3 | 0.6 | 1.2 | 1.2 | 0.120 | 2.0 | 1.5 |
| 22-251 | 250:5 | C20 | 0.3 | 0.3 | 0.6 | 0.6 | 1.2 | 0.150 | 1.5 | 1.5 |
| 22-301 | 300:5 | C20 | 0.3 | 0.3 | 0.3 | 0.6 | 0.6 | 0.180 | 1.5 | 1.33 |
| 22-401 | 400:5 | C20 | 0.3 | 0.3 | 0.3 | 0.3 | 0.6 | 0.241 | 1.5 | 1.0 |
| 22-501 | 500:5 | C50 | 0.3 | 0.3 | 0.3 | 0.3 | 0.3 | 0.301 | 1.5 | 1.0 |

CURRENT TRANSFORMER MODEL 23

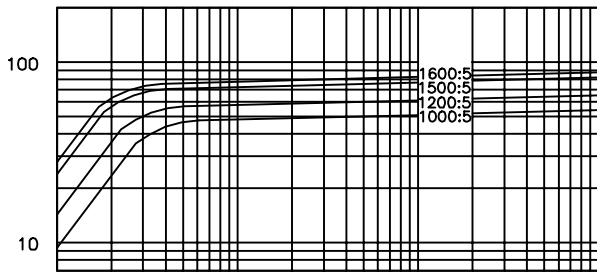
Window Diameter 2.00"

Approximate weight: 8.5 lbs.



| CATALOG NUMBER | CURRENT RATIO | RELAY CLASS | ANSI METERING CLASS AT 60 Hz | | | | | SECONDARY WINDING RESISTANCE (OHMS @ 75 °C) | CONTINUOUS THERMAL RATING FACTOR | |
|----------------|---------------|-------------|------------------------------|------|------|------|------|---|----------------------------------|-------|
| | | | B0.1 | B0.2 | B0.5 | B0.9 | B1.8 | | @30°C | @55°C |
| 23-101 | 100:5 | - | 0.6 | 0.6 | 2.4 | 4.8 | - | 0.051 | 2.0 | 2.0 |
| 23-151 | 150:5 | C10 | 0.6 | 0.6 | 0.6 | 1.2 | 2.4 | 0.076 | 2.0 | 2.0 |
| 23-201 | 200:5 | C10 | 0.3 | 0.6 | 0.6 | 1.2 | 2.4 | 0.114 | 2.0 | 1.5 |
| 23-251 | 250:5 | C20 | 0.3 | 0.3 | 0.6 | 0.6 | 1.2 | 0.143 | 2.0 | 1.5 |
| 23-301 | 300:5 | C20 | 0.3 | 0.3 | 0.3 | 0.6 | 1.2 | 0.171 | 1.5 | 1.33 |
| 23-401 | 400:5 | C20 | 0.3 | 0.3 | 0.3 | 0.3 | 0.6 | 0.228 | 1.5 | 1.0 |
| 23-501 | 500:5 | C20 | 0.3 | 0.3 | 0.3 | 0.3 | 0.3 | 0.286 | 1.5 | 1.0 |
| 23-601 | 600:5 | C50 | 0.3 | 0.3 | 0.3 | 0.3 | 0.3 | 0.343 | 1.33 | 1.0 |

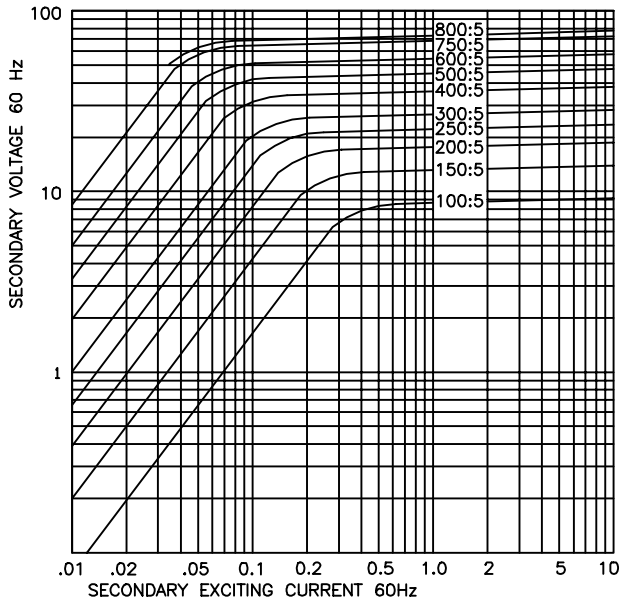
EXCITATION CURVE



CURRENT TRANSFORMER MODEL 24

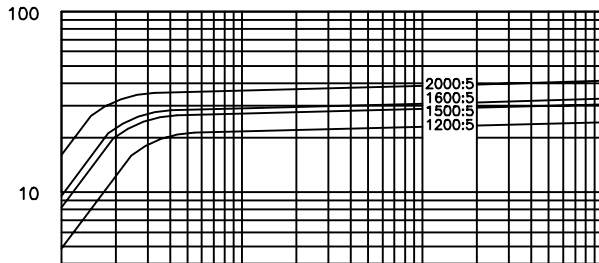
Window Diameter 2.50"

Approximate weight: 6.5 lbs.



| CATALOG NUMBER | CURRENT RATIO | RELAY CLASS | ANSI METERING CLASS AT 60 Hz | | | | | SECONDARY WINDING RESISTANCE (OHMS @ 75 ° C) | CONTINUOUS THERMAL RATING FACTOR | |
|----------------|---------------|-------------|------------------------------|------|------|------|------|--|----------------------------------|-------|
| | | | B0.1 | B0.2 | B0.5 | B0.9 | B1.8 | | @30°C | @55°C |
| 24-101 | 100:5 | - | 0.6 | 1.2 | 2.4 | 4.8 | - | 0.046 | 2.0 | 2.0 |
| 24-151 | 150:5 | - | 0.6 | 0.6 | 1.2 | 2.4 | 4.8 | 0.069 | 2.0 | 2.0 |
| 24-201 | 200:5 | C10 | 0.3 | 0.3 | 0.6 | 1.2 | 2.4 | 0.096 | 2.0 | 1.5 |
| 24-251 | 250:5 | C10 | 0.3 | 0.3 | 0.3 | 0.6 | 1.2 | 0.118 | 2.0 | 1.5 |
| 24-301 | 300:5 | C10 | 0.3 | 0.3 | 0.3 | 0.6 | 1.2 | 0.133 | 2.0 | 1.5 |
| 24-401 | 400:5 | C20 | 0.3 | 0.3 | 0.3 | 0.6 | 0.6 | 0.212 | 1.5 | 1.0 |
| 24-501 | 500:5 | C20 | 0.3 | 0.3 | 0.3 | 0.3 | 0.6 | 0.265 | 1.5 | 1.0 |
| 24-601 | 600:5 | C20 | 0.3 | 0.3 | 0.3 | 0.3 | 0.3 | 0.317 | 1.33 | 1.0 |
| 24-751 | 750:5 | C20 | 0.3 | 0.3 | 0.3 | 0.3 | 0.3 | 0.396 | 1.0 | 1.0 |
| 24-801 | 800:5 | C20 | 0.3 | 0.3 | 0.3 | 0.3 | 0.3 | 0.423 | 1.0 | 0.8 |
| 24-102 | 1000:5 | C10 | 0.3 | 0.3 | 0.3 | 0.3 | 0.3 | 0.446 | 1.0 | 0.8 |
| 24-122 | 1200:5 | C10 | 0.3 | 0.3 | 0.3 | 0.3 | 0.3 | 0.535 | 1.0 | 0.8 |
| 24-152 | 1500:5 | C10 | 0.3 | 0.3 | 0.3 | 0.3 | 0.3 | 0.669 | 1.0 | 0.6 |
| 24-162 | 1600:5 | C10 | 0.3 | 0.3 | 0.3 | 0.3 | 0.3 | 0.713 | 0.8 | 0.6 |

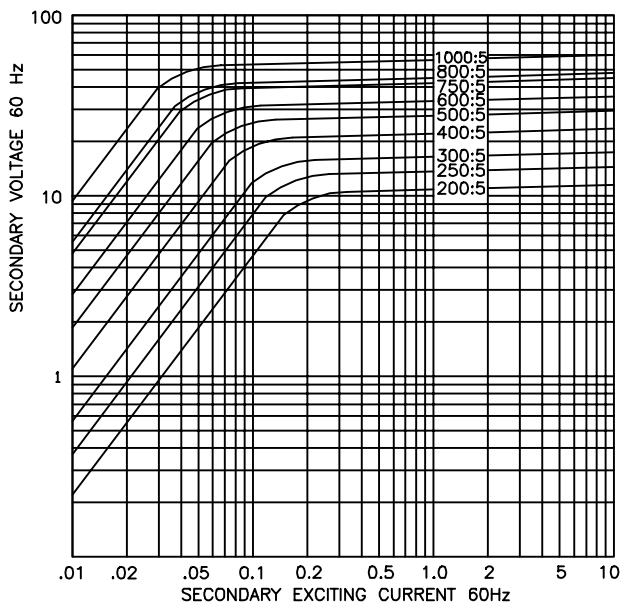
EXCITATION CURVE



CURRENT TRANSFORMER MODEL 25

Window Diameter 3.13"

Approximate weight: 5.5 lbs.



| CATALOG NUMBER | CURRENT RATIO | V.A. FOR ±1% CLASS | ANSI METERING CLASS AT 60 Hz | | | | | SECONDARY WINDING RESISTANCE (OHMS @ 75 ° C) | CONTINUOUS THERMAL RATING FACTOR | |
|----------------|---------------|--------------------|------------------------------|------|------|------|------|--|----------------------------------|-------|
| | | | B0.1 | B0.2 | B0.5 | B0.9 | B1.8 | | @30°C | @55°C |
| 25-201 | 200:5 | 10 | 0.6 | 0.6 | 1.2 | 2.4 | 4.8 | 0.081 | 2.0 | 2.0 |
| 25-251 | 250:5 | 15 | 0.3 | 0.3 | 1.2 | 1.2 | 2.4 | 0.108 | 2.0 | 1.5 |
| 25-301 | 300:5 | 20 | 0.3 | 0.3 | 0.6 | 1.2 | 2.4 | 0.129 | 2.0 | 1.5 |
| 25-401 | 400:5 | 30 | 0.3 | 0.3 | 0.6 | 0.6 | 1.2 | 0.194 | 1.5 | 1.33 |
| 25-501 | 500:5 | 45 | 0.3 | 0.3 | 0.3 | 0.6 | 1.2 | 0.243 | 1.5 | 1.0 |
| 25-601 | 600:5 | 60 | 0.3 | 0.3 | 0.3 | 0.3 | 0.6 | 0.292 | 1.33 | 1.0 |
| 25-751 | 750:5 | 75 | 0.3 | 0.3 | 0.3 | 0.3 | 0.6 | 0.364 | 1.0 | 0.8 |
| 25-801 | 800:5 | 80 | 0.3 | 0.3 | 0.3 | 0.3 | 0.3 | 0.389 | 1.0 | 0.8 |
| 25-102 | 1000:5 | 100 | 0.3 | 0.3 | 0.3 | 0.3 | 0.3 | 0.486 | 1.0 | 0.8 |
| 25-122 | 1200:5 | 75 | 0.3 | 0.3 | 0.3 | 0.3 | 0.3 | 0.389 | 1.0 | 0.8 |
| 25-152 | 1500:5 | 90 | 0.3 | 0.3 | 0.3 | 0.3 | 0.3 | 0.617 | 1.0 | 0.8 |
| 25-162 | 1600:5 | 95 | 0.3 | 0.3 | 0.3 | 0.3 | 0.3 | 0.658 | 1.0 | 0.6 |
| 25-202 | 2000:5 | 100 | 0.3 | 0.3 | 0.3 | 0.3 | 0.3 | 0.822 | 0.8 | 0.6 |

CURRENT TRANSFORMERS

Models 60, 61, 62

Window Diameters

0.94", 1.25", 1.56"

APPLICATION:
Metering.

FREQUENCY:
50-400 Hz.

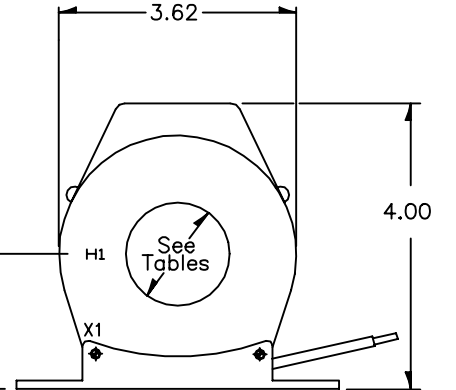
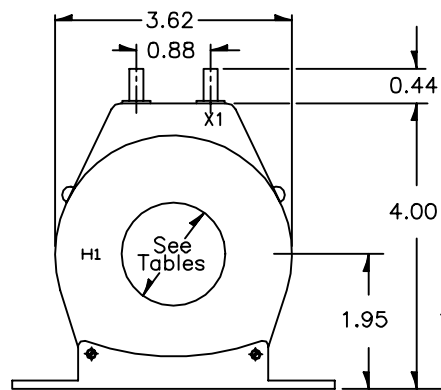
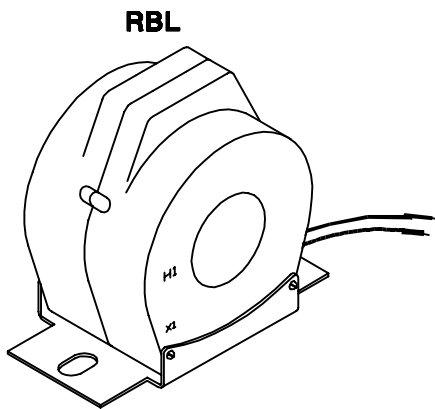
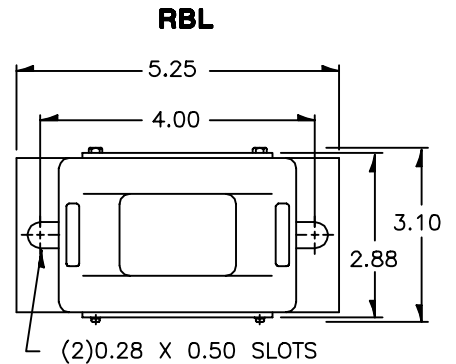
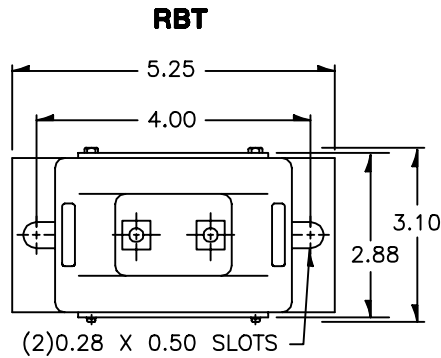
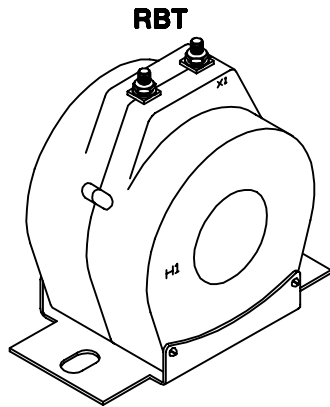
INSULATION LEVEL:
600 Volts, 10 kV BIL full wave.

REGULATORY AGENCY APPROVALS



Manufactured to meet the requirements of ANSI/IEEE C57.13.
Classified by U.L. in accordance with IEC 44-1

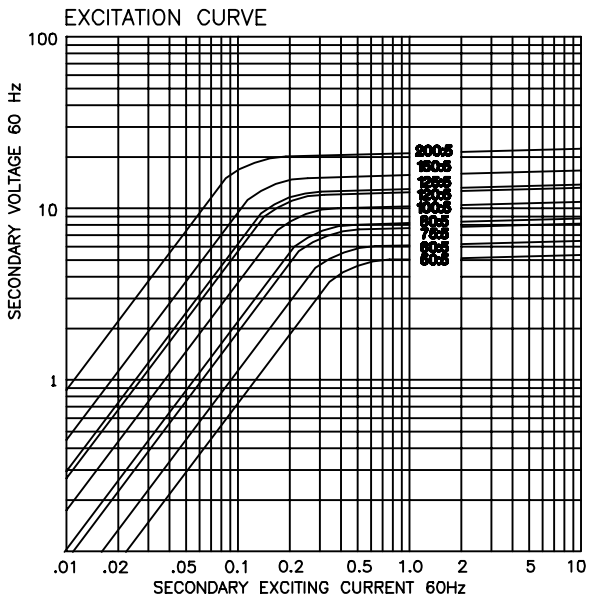
- Terminals are brass studs No. 8-32 UNC with one flatwasher, lockwasher and regular nut.
- Flexible leads are UL 1015 105 ° C, CSA approved, #16 AWG, 24" long.



CURRENT TRANSFORMER MODEL 60

Window Diameter 0.94"

Approximate weight: 5.25 lbs.



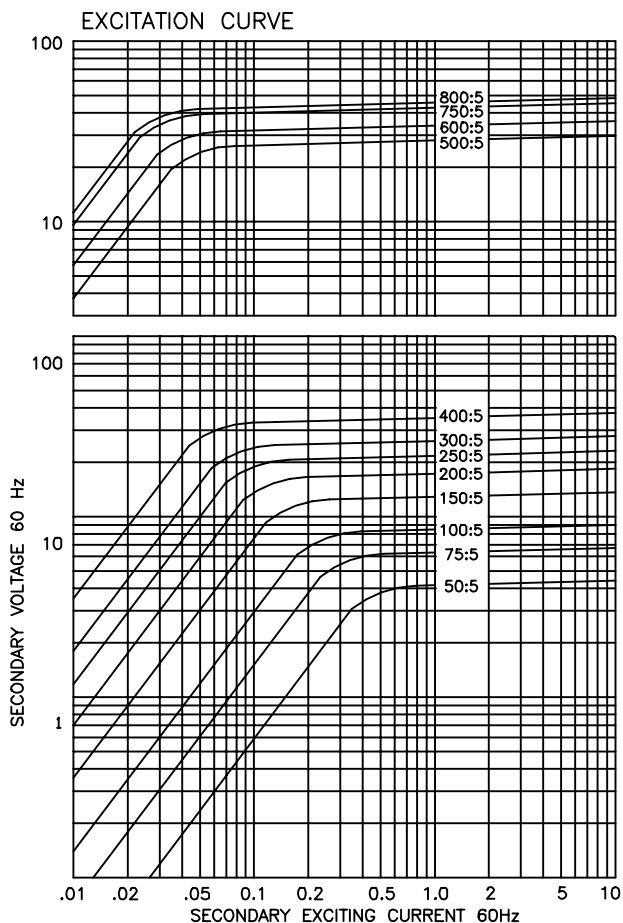
| CATALOG NUMBER | CURRENT RATIO | V.A. FOR ± 6% CLASS | V.A. FOR ± 3% CLASS | ANSI METERING CLASS AT 60 Hz | | | | | SECONDARY WINDING RESISTANCE (OHMS @ 75 °C) | CONTINUOUS THERMAL RATING FACTOR | |
|----------------|---------------|---------------------|---------------------|------------------------------|------|------|------|------|---|----------------------------------|-------|
| | | | | B0.1 | B0.2 | B0.5 | B0.9 | B1.8 | | @30°C | @55°C |
| 60**-500 | 50:5 | 10.0 | 2.5 | 1.2 | 4.8 | - | - | - | 0.018 | 2.0 | 2.0 |
| 60**-600 | 60:5 | 15.0 | 3.0 | 1.2 | 2.4 | - | - | - | 0.021 | 2.0 | 2.0 |
| 60**-750 | 75:5 | - | 10.0 | 0.6 | 1.2 | 4.8 | - | - | 0.027 | 2.0 | 2.0 |
| 60**-800 | 80:5 | - | 15.0 | 0.6 | 1.2 | 2.4 | 4.8 | - | 0.028 | 2.0 | 2.0 |
| 60**-101 | 100:5 | - | 7.5 ± 1% | 0.6 | 0.6 | 2.4 | 4.8 | 4.8 | 0.037 | 2.0 | 2.0 |
| 60**-121 | 120:5 | - | 12.5 ± 1% | 0.6 | 0.6 | 1.2 | 2.4 | 4.8 | 0.043 | 2.0 | 2.0 |
| 60**-1250 | 125:5 | - | 15.0 ± 1% | 0.6 | 0.6 | 1.2 | 2.4 | 4.8 | 0.044 | 2.0 | 2.0 |
| 60**-151 | 150:5 | - | 20.0 ± 1% | 0.3 | 0.3 | 0.6 | 1.2 | 2.4 | 0.055 | 2.0 | 1.5 |
| 60**-201 | 200:5 | - | 25.0 ± 1% | 0.3 | 0.3 | 0.3 | 0.6 | 1.2 | 0.073 | 2.0 | 1.5 |

** NOTE: When ordering, prefix Cat No. with model designation required, i.e. 60RBT-201, 60RBL-301, etc.

CURRENT TRANSFORMER MODEL 61

Window Diameter 1.25"

Approximate weight: 4.75 lbs.



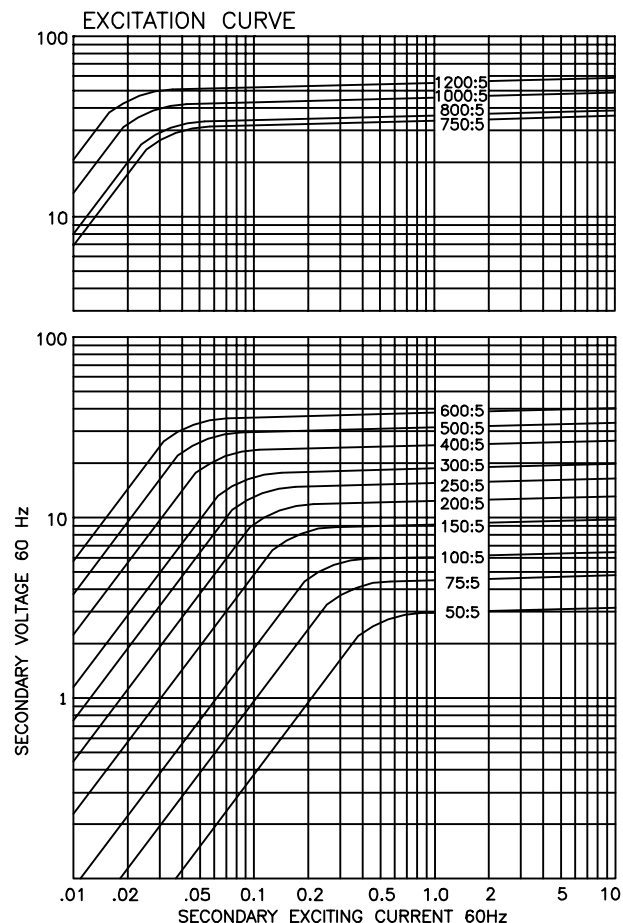
| CATALOG NUMBER | CURRENT RATIO | V.A. FOR ±1% CLASS | ANSI METERING CLASS AT 60 Hz | | | | | SECONDARY WINDING RESISTANCE (OHMS @ 75 ° C) | CONTINUOUS THERMAL RATING FACTOR | |
|----------------|---------------|--------------------|------------------------------|------|------|------|------|--|----------------------------------|-------|
| | | | B0.1 | B0.2 | B0.5 | B0.9 | B1.8 | | @30°C | @55°C |
| 61**–500 | 50:5 | 2.0 | 2.4 | 4.8 | – | – | – | 0.025 | 2.0 | 2.0 |
| 61**–750 | 75:5 | 5.0 | 0.6 | 2.4 | 4.8 | – | – | 0.033 | 2.0 | 2.0 |
| 61**–101 | 100:5 | 7.5 | 0.6 | 1.2 | 2.4 | 4.8 | – | 0.045 | 2.0 | 2.0 |
| 61**–151 | 150:5 | 12.5 | 0.3 | 0.6 | 1.2 | 2.4 | 4.8 | 0.067 | 2.0 | 1.5 |
| 61**–201 | 200:5 | 20.0 | 0.3 | 0.3 | 0.6 | 1.2 | 2.4 | 0.090 | 2.0 | 1.5 |
| 61**–251 | 250:5 | 35.0 | 0.3 | 0.3 | 0.6 | 0.6 | 1.2 | 0.115 | 1.5 | 1.25 |
| 61**–301 | 300:5 | 50.0 | 0.3 | 0.3 | 0.6 | 0.6 | 1.2 | 0.149 | 1.5 | 1.0 |
| 61**–401 | 400:5 | 75.0 | 0.3 | 0.3 | 0.3 | 0.3 | 0.6 | 0.198 | 1.33 | 1.0 |
| 61**–501 | 500:5 | 100.0 | 0.3 | 0.3 | 0.3 | 0.3 | 0.6 | 0.224 | 1.33 | 1.0 |
| 61**–601 | 600:5 | 120.0 | 0.3 | 0.3 | 0.3 | 0.3 | 0.3 | 0.258 | 1.0 | 0.8 |
| 61**–751 | 750:5 | 140.0 | 0.3 | 0.3 | 0.3 | 0.3 | 0.3 | 0.335 | 1.0 | 0.8 |
| 61**–801 | 800:5 | 150.0 | 0.3 | 0.3 | 0.3 | 0.3 | 0.3 | 0.358 | 1.0 | 0.8 |

** NOTE: When ordering, prefix Cat No. with model designation required, i.e. 61RBT–201, 61RBL–301, etc.

CURRENT TRANSFORMER MODEL 62

Window Diameter 1.56"

Approximate weight: 3.75 lbs.



| CATALOG NUMBER | CURRENT RATIO | V.A. FOR ±1% CLASS | ANSI METERING CLASS AT 60 Hz | | | | | SECONDARY WINDING RESISTANCE (OHMS @ 75 ° C) | CONTINUOUS THERMAL RATING FACTOR | |
|----------------|---------------|--------------------|------------------------------|------|------|------|------|--|----------------------------------|-------|
| | | | B0.1 | B0.2 | B0.5 | B0.9 | B1.8 | | @30°C | @55°C |
| 62**–500 | 50:5 | 2.0 | 2.4 | – | – | – | – | 0.013 | 2.0 | 2.0 |
| 62**–750 | 75:5 | 5.0 | 1.2 | 2.4 | 4.8 | – | – | 0.018 | 2.0 | 2.0 |
| 62**–101 | 100:5 | 7.5 | 0.6 | 1.2 | 2.4 | 4.8 | – | 0.037 | 2.0 | 2.0 |
| 62**–151 | 150:5 | 10.0 | 0.3 | 0.6 | 1.2 | 2.4 | 4.8 | 0.050 | 2.0 | 2.0 |
| 62**–201 | 200:5 | 20.0 | 0.3 | 0.3 | 0.6 | 1.2 | 2.4 | 0.066 | 2.0 | 1.5 |
| 62**–251 | 250:5 | 30.0 | 0.3 | 0.3 | 0.6 | 1.2 | 1.2 | 0.083 | 2.0 | 1.5 |
| 62**–301 | 300:5 | 40.0 | 0.3 | 0.3 | 0.3 | 0.6 | 1.2 | 0.100 | 1.5 | 1.33 |
| 62**–401 | 400:5 | 60.0 | 0.3 | 0.3 | 0.3 | 0.6 | 0.6 | 0.150 | 1.5 | 1.0 |
| 62**–501 | 500:5 | 80.0 | 0.3 | 0.3 | 0.3 | 0.3 | 0.6 | 0.235 | 1.33 | 1.0 |
| 62**–601 | 600:5 | 100.0 | 0.3 | 0.3 | 0.3 | 0.3 | 0.6 | 0.354 | 1.0 | 0.8 |
| 62**–751 | 750:5 | 125.0 | 0.3 | 0.3 | 0.3 | 0.3 | 0.3 | 0.262 | 1.0 | 0.8 |
| 62**–801 | 800:5 | 130.0 | 0.3 | 0.3 | 0.3 | 0.3 | 0.3 | 0.280 | 1.0 | 0.8 |
| 62**–102 | 1000:5 | 150.0 | 0.3 | 0.3 | 0.3 | 0.3 | 0.3 | 0.438 | 1.0 | 0.6 |
| 62**–122 | 1200:5 | 200.0 | 0.3 | 0.3 | 0.3 | 0.3 | 0.3 | 0.657 | 0.8 | 0.6 |

** NOTE: When ordering, prefix Cat No. with model designation required, i.e. 62RBT–201, 62RBL–301, etc.

CURRENT TRANSFORMER

Models 64, 65, 66

Window Diameters

1.56", 2.00", 2.50"

APPLICATION:
Metering.

FREQUENCY:
50-400 Hz.

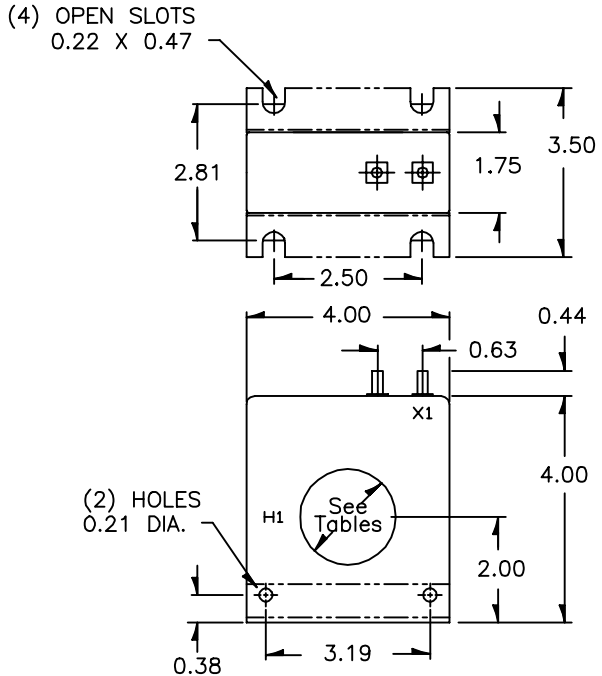
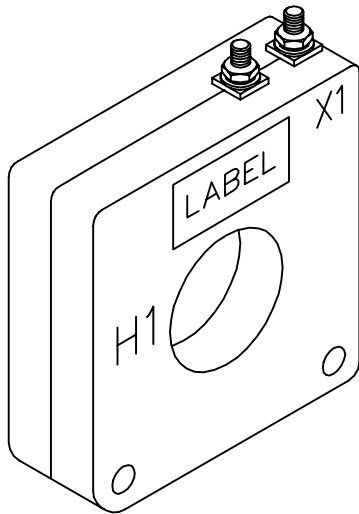
INSULATION LEVEL:
600 Volts, 10 kV BIL full wave.

- Terminals are brass studs No. 8-32 UNC with one flatwasher, lockwasher and regular nut.
- Order mounting bracket kit 0221B01976 separately.

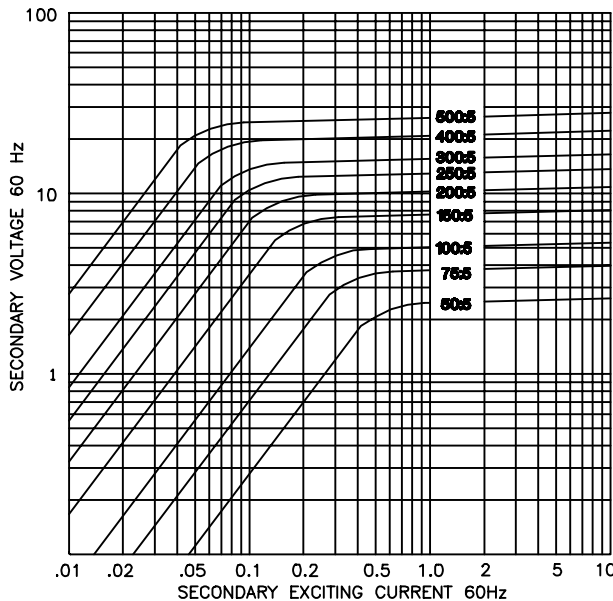
REGULATORY AGENCY APPROVALS



Manufactured to meet the requirements of ANS/IEEE C57.13.
Classified by U.L. in accordance with IEC 44-1



EXCITATION CURVE

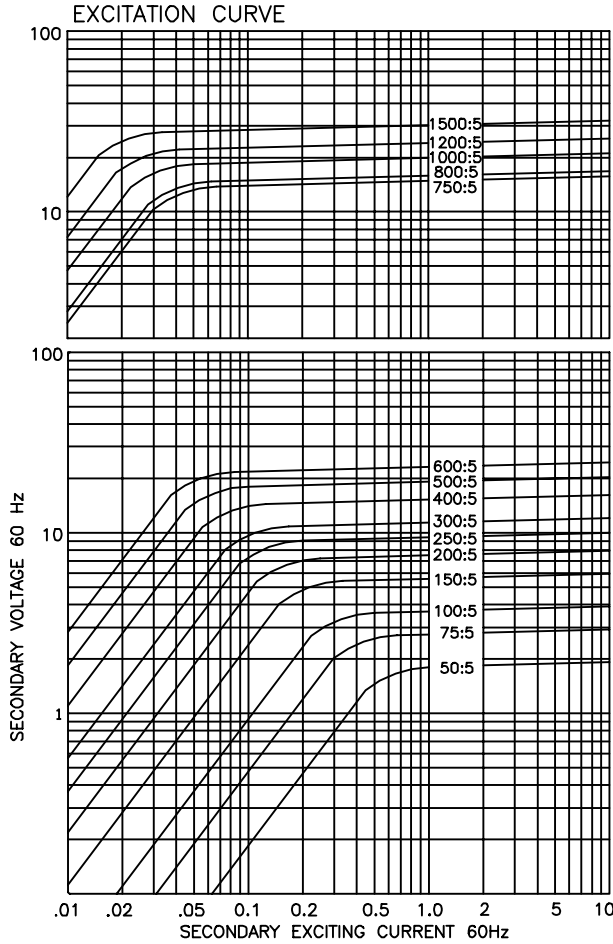


CURRENT TRANSFORMER MODEL 64

Window Diameter 1.56"

Approximate weight: 3.75 lbs.

| CATALOG NUMBER | CURRENT RATIO | V.A. FOR ± 1% CLASS | ANSI METERING CLASS AT 60 Hz | | | | | SECONDARY WINDING RESISTANCE (OHMS @ 75 °C) | CONTINUOUS THERMAL RATING FACTOR | |
|----------------|---------------|---------------------|------------------------------|------|------|------|------|---|----------------------------------|-------|
| | | | B0.1 | B0.2 | B0.5 | B0.9 | B1.8 | | @30°C | @55°C |
| 64-500 | 50:5 | 2.5±2% | 2.4 | - | - | - | - | 0.011 | 2.0 | 2.0 |
| 64-750 | 75:5 | 4.0 | 1.2 | 2.4 | - | - | - | 0.020 | 2.0 | 2.0 |
| 64-101 | 100:5 | 5.0 | 1.2 | 1.2 | 4.8 | 4.8 | - | 0.026 | 2.0 | 2.0 |
| 64-151 | 150:5 | 7.5 | 0.6 | 0.6 | 1.2 | 2.4 | 4.8 | 0.043 | 2.0 | 2.0 |
| 64-201 | 200:5 | 12.5 | 0.3 | 0.3 | 1.2 | 1.2 | 2.4 | 0.063 | 2.0 | 1.5 |
| 64-251 | 250:5 | 20.0 | 0.3 | 0.3 | 0.6 | 1.2 | 2.4 | 0.074 | 2.0 | 1.5 |
| 64-301 | 300:5 | 35.0 | 0.3 | 0.3 | 0.3 | 0.6 | 1.2 | 0.086 | 2.0 | 1.5 |
| 64-401 | 400:5 | 50.0 | 0.3 | 0.3 | 0.3 | 0.6 | 1.2 | 0.110 | 1.5 | 1.33 |
| 64-501 | 500:5 | 50.0 | 0.3 | 0.3 | 0.3 | 0.3 | 0.6 | 0.173 | 1.5 | 1.0 |

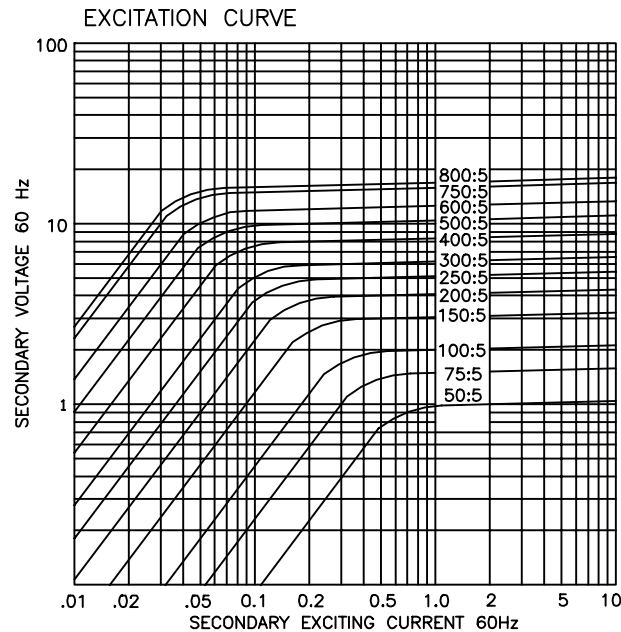


CURRENT TRANSFORMER MODEL 65

Window Diameter 2.00"

Approximate weight: 3.25 lbs.

| CATALOG NUMBER | CURRENT RATIO | V.A. FOR ±1% CLASS | ANSI METERING CLASS AT 60 Hz | | | | | SECONDARY WINDING RESISTANCE (OHMS @ 75 ° C) | CONTINUOUS THERMAL RATING FACTOR | |
|----------------|---------------|--------------------|------------------------------|------|------|------|------|--|----------------------------------|-------|
| | | | B0.1 | B0.2 | B0.5 | B0.9 | B1.8 | | ③30°C | ③55°C |
| 65-500 | 50:5 | 2.0 | 2.4 | - | - | - | - | 0.007 | 2.0 | 2.0 |
| 65-750 | 75:5 | 4.0 | 2.4 | 2.4 | - | - | - | 0.013 | 2.0 | 2.0 |
| 65-101 | 100:5 | 4.0 | 1.2 | 1.2 | 4.8 | - | - | 0.022 | 2.0 | 2.0 |
| 65-151 | 150:5 | 6.0 | 0.6 | 0.6 | 2.4 | 4.8 | 4.8 | 0.039 | 2.0 | 2.0 |
| 65-201 | 200:5 | 12.5 | 0.6 | 0.6 | 1.2 | 2.4 | 2.4 | 0.047 | 2.0 | 2.0 |
| 65-251 | 250:5 | 15.0 | 0.3 | 0.3 | 0.6 | 1.2 | 2.4 | 0.067 | 2.0 | 1.5 |
| 65-301 | 300:5 | 20.0 | 0.3 | 0.3 | 0.6 | 1.2 | 2.4 | 0.077 | 2.0 | 1.5 |
| 65-401 | 400:5 | 35.0 | 0.3 | 0.3 | 0.3 | 0.6 | 1.2 | 0.110 | 1.5 | 1.25 |
| 65-501 | 500:5 | 50.0 | 0.3 | 0.3 | 0.3 | 0.6 | 1.2 | 0.155 | 1.33 | 1.0 |
| 65-601 | 600:5 | 60.0 | 0.3 | 0.3 | 0.3 | 0.3 | 0.6 | 0.186 | 1.25 | 1.0 |
| 65-751 | 750:5 | 75.0 | 0.3 | 0.3 | 0.3 | 0.6 | 0.6 | 0.197 | 1.0 | 0.8 |
| 65-801 | 800:5 | 80.0 | 0.3 | 0.3 | 0.3 | 0.3 | 0.6 | 0.210 | 1.0 | 0.8 |
| 65-102 | 1000:5 | 100.0 | 0.3 | 0.3 | 0.3 | 0.3 | 0.6 | 0.253 | 1.0 | 0.8 |
| 65-122 | 1200:5 | 105.0 | 0.3 | 0.3 | 0.3 | 0.3 | 0.3 | 0.316 | 1.0 | 0.8 |
| 65-152 | 1500:5 | 140.0 | 0.3 | 0.3 | 0.3 | 0.3 | 0.3 | 0.491 | 1.0 | 0.8 |



CURRENT TRANSFORMER MODEL 66

Window Diameter 2.50"

Approximate weight: 2.5 lbs.

| CATALOG NUMBER | CURRENT RATIO | V.A. FOR ±1.5% CLASS | ANSI METERING CLASS AT 60 Hz | | | | | SECONDARY WINDING RESISTANCE (OHMS @ 75 ° C) | CONTINUOUS THERMAL RATING FACTOR | |
|----------------|---------------|----------------------|------------------------------|------|------|------|------|--|----------------------------------|-------|
| | | | B0.1 | B0.2 | B0.5 | B0.9 | B1.8 | | ③30°C | ③55°C |
| 66-500 | 50:5 | 1.5±2% | - | - | - | - | - | 0.006 | 2.0 | 2.0 |
| 66-750 | 75:5 | 2.5±2% | 2.4 | - | - | - | - | 0.008 | 2.0 | 2.0 |
| 66-101 | 100:5 | 2.5 | 1.2 | 2.4 | - | - | - | 0.013 | 2.0 | 2.0 |
| 66-151 | 150:5 | 4.0 | 1.2 | 1.2 | 2.4 | 4.8 | - | 0.020 | 2.0 | 2.0 |
| 66-201 | 200:5 | 5.0 | 0.6 | 0.6 | 2.4 | 2.4 | 4.8 | 0.038 | 2.0 | 2.0 |
| 66-251 | 250:5 | 10.0 | 0.6 | 0.6 | 1.2 | 2.4 | 4.8 | 0.045 | 2.0 | 2.0 |
| 66-301 | 300:5 | 12.5 | 0.3 | 0.3 | 1.2 | 2.4 | 2.4 | 0.065 | 2.0 | 1.5 |
| 66-401 | 400:5 | 20.0 | 0.3 | 0.3 | 0.6 | 1.2 | 1.2 | 0.082 | 1.5 | 1.33 |
| 66-501 | 500:5 | 30.0 | 0.3 | 0.3 | 0.6 | 1.2 | 1.2 | 0.107 | 1.5 | 1.25 |
| 66-601 | 600:5 | 40.0 | 0.3 | 0.3 | 0.6 | 0.6 | 1.2 | 0.162 | 1.33 | 1.0 |
| 66-751 | 750:5 | 50.0 | 0.3 | 0.3 | 0.3 | 0.6 | 0.6 | 0.202 | 1.0 | 0.8 |
| 66-801 | 800:5 | 60.0 | 0.3 | 0.3 | 0.3 | 0.6 | 0.6 | 0.216 | 1.0 | 0.8 |

CURRENT TRANSFORMER

Model 100

Window Diameter 4.0"

APPLICATION:
Relaying and metering.

FREQUENCY:
50–400 Hz.

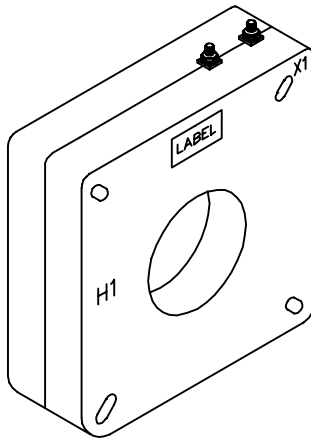
INSULATION LEVEL:
600 Volts, 10 kV BIL full wave.

REGULATORY AGENCY APPROVALS

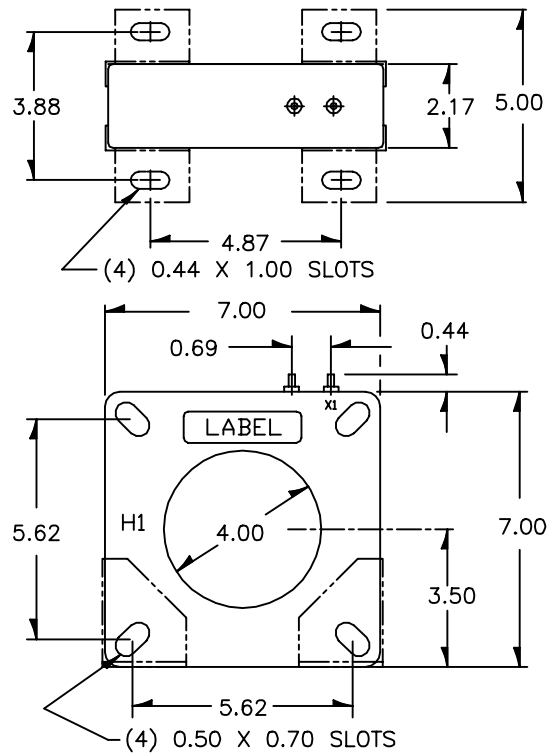
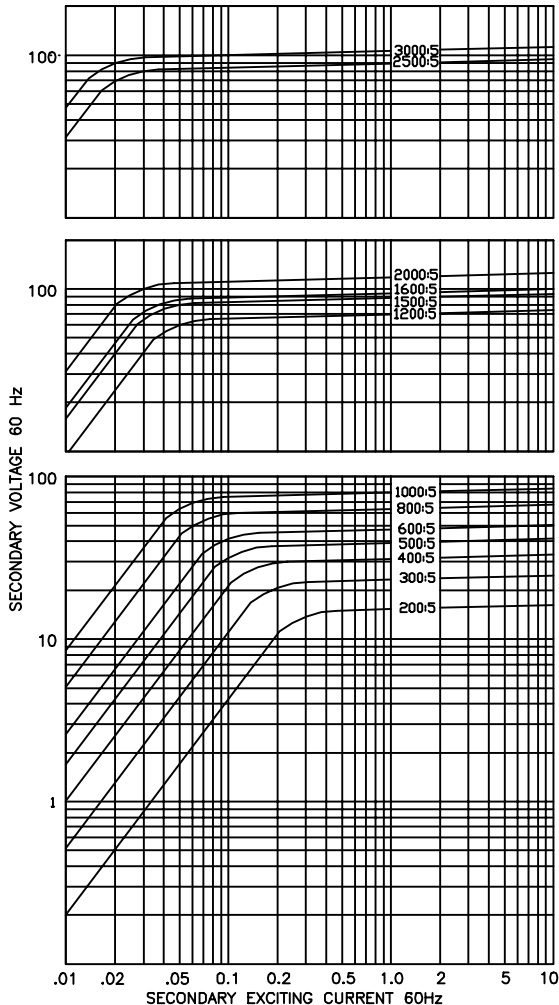


Manufactured to meet the requirements of ANSI/IEEE C57.13.
Classified by U.L. in accordance with IEC 44-1
Approved for revenue metering by Industry Canada. No. T-153(*)

- Terminals are brass studs No. 8–32 UNC with one flatwasher, lockwasher and regular nut.
- Order mounting bracket kit 0221B00185 separately.
- Multi-ratios available upon request.
- Approximate weight 9.5 lbs.



EXCITATION CURVE



| CATALOG NUMBER | CURRENT RATIO | RELAY CLASS | ANSI METERING CLASS AT 60 Hz | | | | | SECONDARY WINDING RESISTANCE (OHMS @ 75 °C) | CONTINUOUS THERMAL RATING FACTOR | |
|----------------|---------------|-------------|------------------------------|------|------|------|------|---|----------------------------------|-------|
| | | | B0.1 | B0.2 | B0.5 | B0.9 | B1.8 | | @30°C | @55°C |
| 100-201 | 200:5 | C10 | 0.6 | 0.6 | 1.2 | 2.4 | — | 0.057 | 2.0 | 2.0 |
| 100-301 | 300:5 * | C10 | 0.3 | 0.3 | 0.6 | 1.2 | — | 0.091 | 2.0 | 2.0 |
| 100-401 | 400:5 * | C20 | 0.3 | 0.3 | 0.6 | 0.6 | 1.2 | 0.133 | 2.0 | 2.0 |
| 100-501 | 500:5 * | C20 | 0.3 | 0.3 | 0.3 | 0.6 | 1.2 | 0.166 | 2.0 | 1.5 |
| 100-601 | 600:5 * | C20 | 0.3 | 0.3 | 0.3 | 0.3 | 0.6 | 0.199 | 2.0 | 1.5 |
| 100-801 | 800:5 * | C20 | 0.3 | 0.3 | 0.3 | 0.3 | 0.3 | 0.266 | 1.5 | 1.33 |
| 100-102 | 1000:5 * | C50 | 0.3 | 0.3 | 0.3 | 0.3 | 0.3 | 0.332 | 1.5 | 1.0 |
| 100-122 | 1200:5 * | C20 | 0.3 | 0.3 | 0.3 | 0.3 | 0.3 | 0.374 | 1.5 | 1.0 |
| 100-152 | 1500:5 * | C20 | 0.3 | 0.3 | 0.3 | 0.3 | 0.3 | 0.468 | 1.33 | 1.0 |
| 100-162 | 1600:5 * | C50 | 0.3 | 0.3 | 0.3 | 0.3 | 0.3 | 0.499 | 1.33 | 1.0 |
| 100-202 | 2000:5 * | C50 | 0.3 | 0.3 | 0.3 | 0.3 | 0.3 | 0.624 | 1.0 | 0.8 |
| 100-252 | 2500:5 * | C50 | 0.3 | 0.3 | 0.3 | 0.3 | 0.3 | 0.735 | 1.0 | 0.8 |
| 100-302 | 3000:5 * | C50 | 0.3 | 0.3 | 0.3 | 0.3 | 0.3 | 0.882 | 1.0 | 0.8 |

CURRENT TRANSFORMER

Model 110

Window Diameter 4.0"

APPLICATION:
Relaying and metering.

FREQUENCY:
50–400 Hz.

INSULATION LEVEL:
600 Volts, 10 kV BIL full wave.

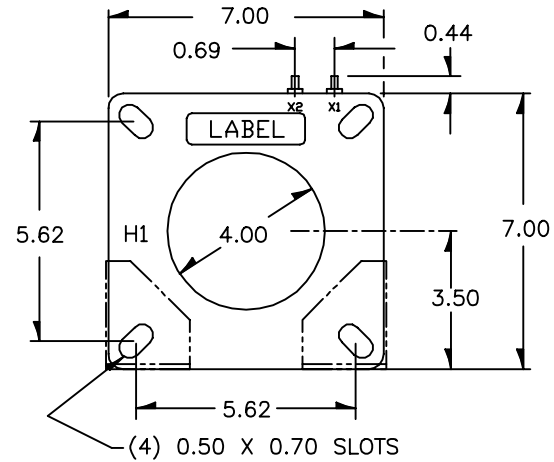
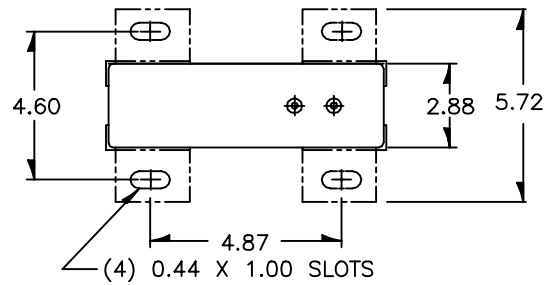
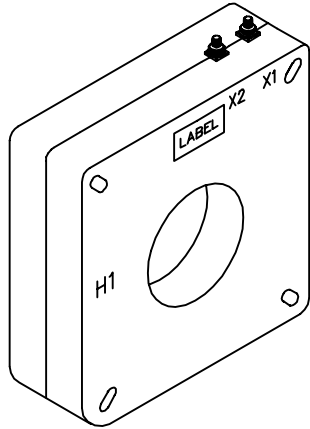
REGULATORY AGENCY APPROVALS



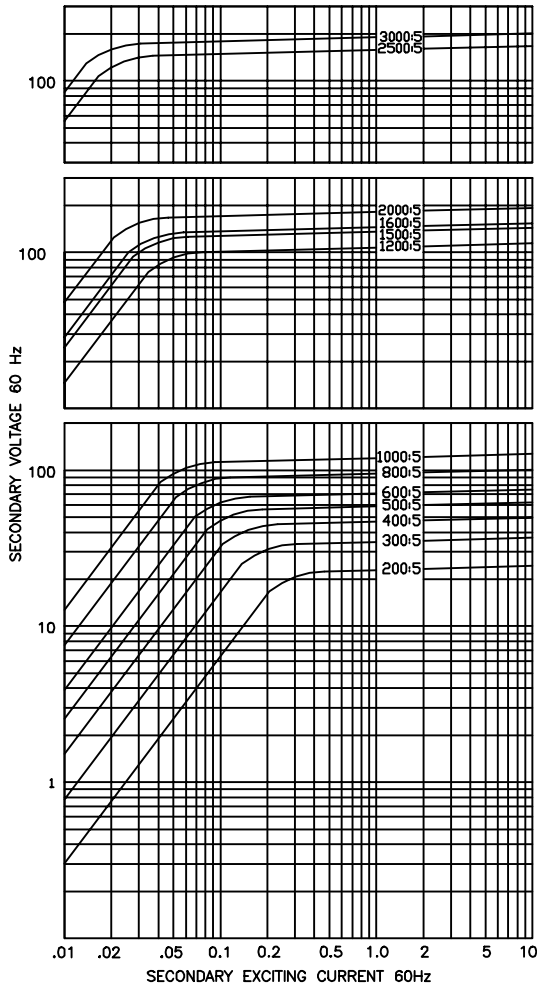
Manufactured to meet the requirements of ANSI/IEEE C57.13.

Classified by U.L. in accordance with IEC 44-1

- Terminals are brass studs No. 8–32 UNC with one flatwasher, lockwasher and regular nut.
- Other ratios available on request.
- Order mounting bracket kit 0221B00186 separately.
- Approximate weight 13 lbs.



EXCITATION CURVE



| CATALOG NUMBER | CURRENT RATIO | RELAY CLASS | ANSI METERING CLASS AT 60 Hz | | | | | SECONDARY WINDING RESISTANCE (OHMS @ 75 °C) | CONTINUOUS THERMAL RATING FACTOR | |
|----------------|---------------|-------------|------------------------------|------|------|------|------|---|----------------------------------|--------|
| | | | B0.1 | B0.2 | B0.5 | B0.9 | B1.8 | | @ 30°C | @ 55°C |
| 110-201 | 200:5 | C10 | 0.6 | 1.2 | 1.2 | 2.4 | — | 0.085 | 2.0 | 2.0 |
| 110-301 | 300:5 | C20 | 0.3 | 0.6 | 0.6 | 1.2 | 2.4 | 0.128 | 2.0 | 2.0 |
| 110-401 | 400:5 | C20 | 0.3 | 0.3 | 0.3 | 0.6 | 1.2 | 0.152 | 2.0 | 2.0 |
| 110-501 | 500:5 | C20 | 0.3 | 0.3 | 0.3 | 0.6 | 0.6 | 0.214 | 2.0 | 1.5 |
| 110-601 | 600:5 | C50 | 0.3 | 0.3 | 0.3 | 0.3 | 0.6 | 0.256 | 2.0 | 1.5 |
| 110-801 | 800:5 | C50 | 0.3 | 0.3 | 0.3 | 0.3 | 0.3 | 0.342 | 1.5 | 1.33 |
| 110-102 | 1000:5 | C50 | 0.3 | 0.3 | 0.3 | 0.3 | 0.3 | 0.427 | 1.5 | 1.0 |
| 110-122 | 1200:5 | C50 | 0.3 | 0.3 | 0.3 | 0.3 | 0.3 | 0.489 | 1.5 | 1.0 |
| 110-152 | 1500:5 | C100 | 0.3 | 0.3 | 0.3 | 0.3 | 0.3 | 0.611 | 1.33 | 1.0 |
| 110-162 | 1600:5 | C100 | 0.3 | 0.3 | 0.3 | 0.3 | 0.3 | 0.652 | 1.0 | 1.0 |
| 110-202 | 2000:5 | C100 | 0.3 | 0.3 | 0.3 | 0.3 | 0.3 | 0.815 | 1.0 | 0.8 |
| 110-252 | 2500:5 | C100 | 0.3 | 0.3 | 0.3 | 0.3 | 0.3 | 0.974 | 1.0 | 0.8 |
| 110-302 | 3000:5 | C100 | 0.3 | 0.3 | 0.3 | 0.3 | 0.3 | 1.168 | 1.0 | 0.6 |

CURRENT TRANSFORMERS

Models
112, 113, 114, 115, 117

Window Diameters
2.25", 2.75", 3.25",
4.00", 4.62"

APPLICATION:
Relaying and metering.

FREQUENCY:
50-400 Hz.

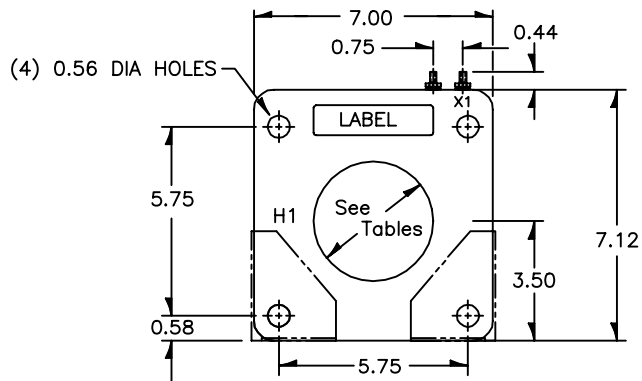
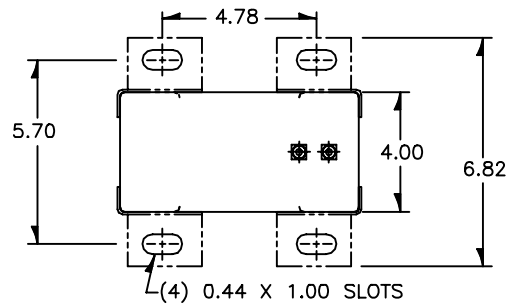
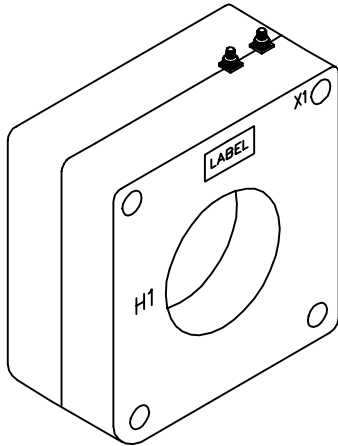
INSULATION LEVEL:
600 Volts, 10 kV BIL full wave.

- Terminals are brass studs No. 8-32 UNC with one flatwasher, lockwasher and regular nut.
- Order mounting bracket kit 0221B01525 separately.
- Multi-ratios available upon request.

REGULATORY AGENCY APPROVALS



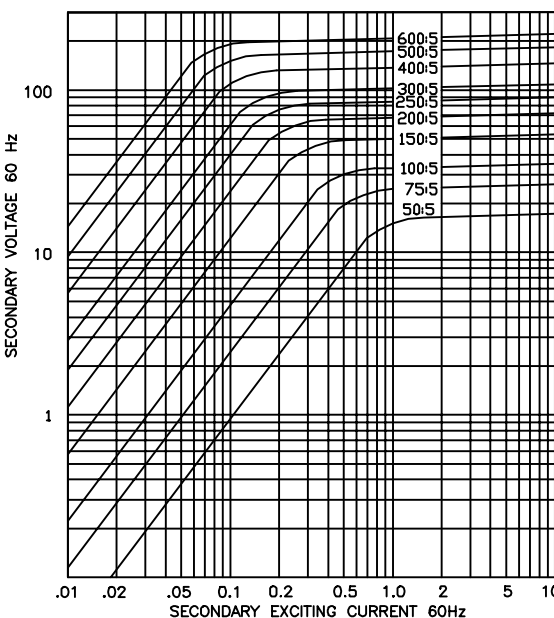
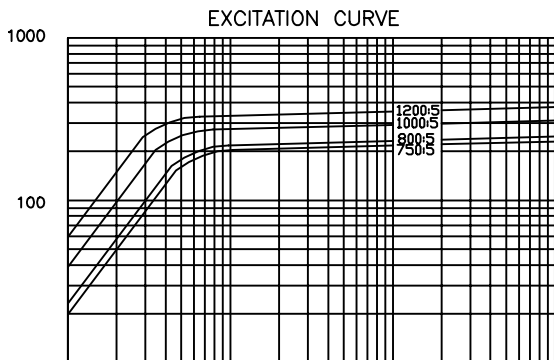
Manufactured to meet the requirements of ANSI/IEEE C57.13.
Classified by U.L. in accordance with IEC 44-1
Approved for revenue metering by Industry Canada. (*)



CURRENT TRANSFORMER MODEL 112

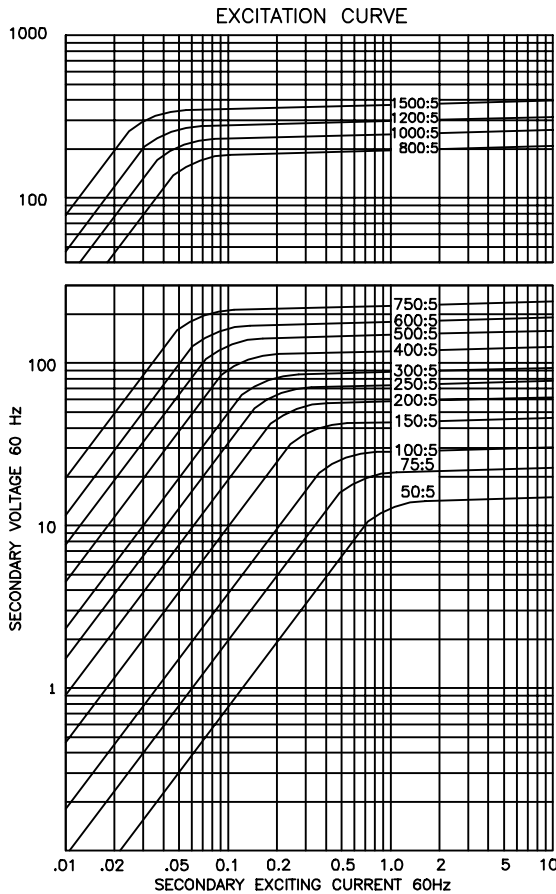
Window Diameter 2.25"

Approximate weight: 25 lbs.



| CATALOG NUMBER | CURRENT RATIO | RELAY CLASS | ANSI METERING CLASS AT 60 Hz | | | | | SECONDARY WINDING RESISTANCE (OHMS @ 75°C) | CONTINUOUS THERMAL RATING FACTOR | |
|----------------|---------------|-------------|------------------------------|------|------|------|------|--|----------------------------------|-------|
| | | | B0.1 | B0.2 | B0.5 | B0.9 | B1.8 | | @30°C | @55°C |
| 112-500 | 50:5 | C10 | 1.2 | 2.4 | - | - | - | 0.029 | 2.0 | 2.0 |
| 112-750 | 75:5 | C10 | 0.6 | 1.2 | 2.4 | 4.8 | - | 0.046 | 2.0 | 2.0 |
| 112-101 | 100:5 * | C20 | 0.6 | 0.6 | 2.4 | 2.4 | 4.8 | 0.062 | 2.0 | 2.0 |
| 112-151 | 150:5 * | C20 | 0.3 | 0.6 | 1.2 | 1.2 | 2.4 | 0.093 | 2.0 | 2.0 |
| 112-201 | 200:5 * | C50 | 0.3 | 0.3 | 0.3 | 0.6 | 1.2 | 0.124 | 2.0 | 2.0 |
| 112-251 | 250:5 * | C50 | 0.3 | 0.3 | 0.3 | 0.3 | 0.6 | 0.155 | 2.0 | 2.0 |
| 112-301 | 300:5 * | C50 | 0.3 | 0.3 | 0.3 | 0.3 | 0.6 | 0.186 | 2.0 | 2.0 |
| 112-401 | 400:5 * | C100 | 0.3 | 0.3 | 0.3 | 0.3 | 0.3 | 0.248 | 2.0 | 1.5 |
| 112-501 | 500:5 * | C100 | 0.3 | 0.3 | 0.3 | 0.3 | 0.3 | 0.341 | 2.0 | 1.5 |
| 112-601 | 600:5 * | C100 | 0.3 | 0.3 | 0.3 | 0.3 | 0.3 | 0.409 | 1.5 | 1.33 |
| 112-751 | 750:5 * | C200 | 0.3 | 0.3 | 0.3 | 0.3 | 0.3 | 0.495 | 1.5 | 1.0 |
| 112-801 | 800:5 * | C200 | 0.3 | 0.3 | 0.3 | 0.3 | 0.3 | 0.529 | 1.5 | 1.0 |
| 112-102 | 1000:5 * | C200 | 0.3 | 0.3 | 0.3 | 0.3 | 0.3 | 0.661 | 1.33 | 1.0 |
| 112-122 | 1200:5 * | C200 | 0.3 | 0.3 | 0.3 | 0.3 | 0.3 | 0.793 | 1.33 | 1.0 |

* Industry Canada Approval No. AE-0837



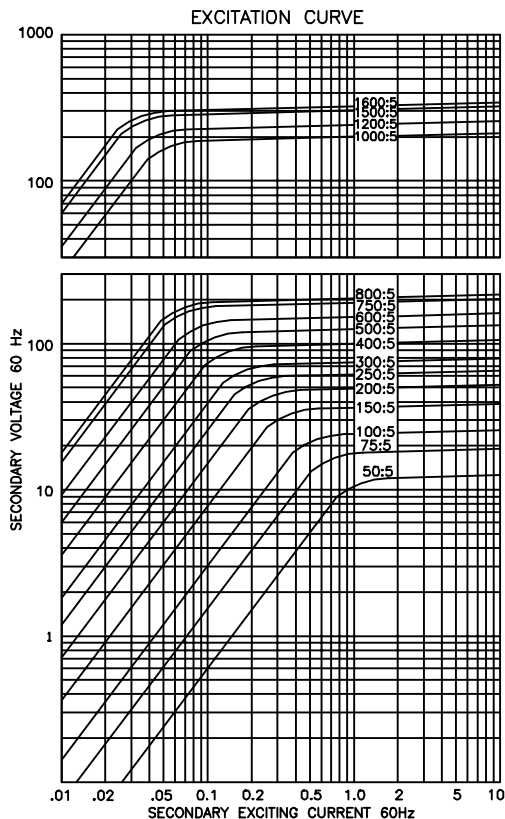
CURRENT TRANSFORMER MODEL 113

Window Diameter 2.75"

Approximate weight: 23 lbs.

| CATALOG NUMBER | CURRENT RATIO | RELAY CLASS | ANSI METERING CLASS AT 60 Hz | | | | | SECONDARY WINDING RESISTANCE (OHMS @ 75°C) | CONTINUOUS THERMAL RATING FACTOR | |
|----------------|---------------|-------------|------------------------------|------|------|------|------|--|----------------------------------|-------|
| | | | B0.1 | B0.2 | B0.5 | B0.9 | B1.8 | | @30°C | @55°C |
| 113-500 | 50:5 | C10 | 2.4 | 4.8 | — | — | — | 0.033 | 2 | 2 |
| 113-750 | 75:5 | C10 | 0.6 | 1.2 | 4.8 | 4.8 | — | 0.043 | 2 | 2 |
| 113-101 | 100:5 | C20 | 0.6 | 0.6 | 2.4 | 2.4 | 4.8 | 0.059 | 2 | 2 |
| 113-151 | 150:5 | C20 | 0.3 | 0.3 | 0.6 | 1.2 | 2.4 | 0.089 | 2 | 2 |
| 113-201 | 200:5 * | C20 | 0.3 | 0.3 | 0.6 | 0.6 | 1.2 | 0.118 | 2 | 2 |
| 113-251 | 250:5 * | C50 | 0.3 | 0.3 | 0.6 | 0.6 | 1.2 | 0.163 | 2 | 2 |
| 113-301 | 300:5 * | C50 | 0.3 | 0.3 | 0.3 | 0.6 | 1.2 | 0.195 | 2 | 2 |
| 113-401 | 400:5 * | C100 | 0.3 | 0.3 | 0.3 | 0.3 | 0.6 | 0.260 | 2 | 1.5 |
| 113-501 | 500:5 * | C100 | 0.3 | 0.3 | 0.3 | 0.3 | 0.3 | 0.325 | 2 | 1.5 |
| 113-601 | 600:5 * | C100 | 0.3 | 0.3 | 0.3 | 0.3 | 0.3 | 0.390 | 1.5 | 1.33 |
| 113-751 | 750:5 * | C200 | 0.3 | 0.3 | 0.3 | 0.3 | 0.3 | 0.488 | 1.5 | 1.0 |
| 113-801 | 800:5 * | C200 | 0.3 | 0.3 | 0.3 | 0.3 | 0.3 | 0.503 | 1.5 | 1.0 |
| 113-102 | 1000:5 * | C200 | 0.3 | 0.3 | 0.3 | 0.3 | 0.3 | 0.629 | 1.33 | 1.0 |
| 113-122 | 1200:5 * | C200 | 0.3 | 0.3 | 0.3 | 0.3 | 0.3 | 0.755 | 1.33 | 1.0 |
| 113-152 | 1500:5 * | C200 | 0.3 | 0.3 | 0.3 | 0.3 | 0.3 | 0.943 | 1.0 | 0.8 |

* Industry Canada Approval No. T-190



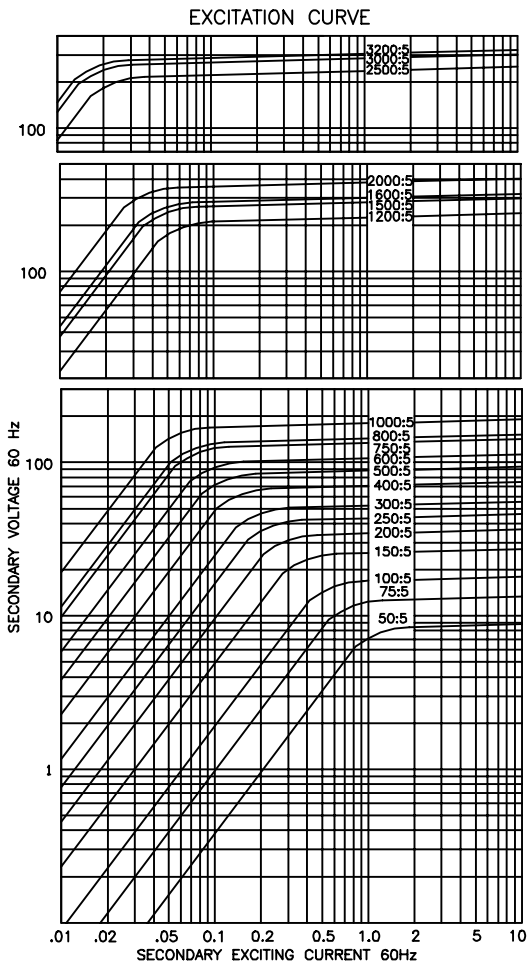
CURRENT TRANSFORMER MODEL 114

Window Diameter 3.25"

Approximate weight: 22 lbs.

| CATALOG NUMBER | CURRENT RATIO | RELAY CLASS | ANSI METERING CLASS AT 60 Hz | | | | | SECONDARY WINDING RESISTANCE (OHMS @ 75°C) | CONTINUOUS THERMAL RATING FACTOR | |
|----------------|---------------|-------------|------------------------------|------|------|------|------|--|----------------------------------|-------|
| | | | B0.1 | B0.2 | B0.5 | B0.9 | B1.8 | | @30°C | @55°C |
| 114-500 | 50:5 | — | 1.2 | 4.8 | — | — | — | 0.024 | 2.0 | 2.0 |
| 114-750 | 75:5 | C10 | 1.2 | 2.4 | 4.8 | — | — | 0.040 | 2.0 | 2.0 |
| 114-101 | 100:5 | C10 | 1.2 | 1.2 | 2.4 | 4.8 | — | 0.055 | 2.0 | 2.0 |
| 114-151 | 150:5 * | C20 | 0.6 | 0.6 | 1.2 | 2.4 | 4.8 | 0.082 | 2.0 | 2.0 |
| 114-201 | 200:5 * | C20 | 0.3 | 0.3 | 0.6 | 1.2 | 2.4 | 0.112 | 2.0 | 2.0 |
| 114-251 | 250:5 * | C50 | 0.3 | 0.3 | 0.6 | 1.2 | 1.2 | 0.141 | 2.0 | 2.0 |
| 114-301 | 300:5 * | C50 | 0.3 | 0.3 | 0.6 | 0.6 | 1.2 | 0.165 | 2.0 | 2.0 |
| 114-401 | 400:5 * | C100 | 0.3 | 0.3 | 0.3 | 0.3 | 0.6 | 0.220 | 2.0 | 1.5 |
| 114-501 | 500:5 * | C100 | 0.3 | 0.3 | 0.3 | 0.3 | 0.6 | 0.267 | 2.0 | 1.5 |
| 114-601 | 600:5 * | C100 | 0.3 | 0.3 | 0.3 | 0.3 | 0.3 | 0.371 | 1.5 | 1.33 |
| 114-751 | 750:5 * | C100 | 0.3 | 0.3 | 0.3 | 0.3 | 0.3 | 0.464 | 1.5 | 1.0 |
| 114-801 | 800:5 * | C200 | 0.3 | 0.3 | 0.3 | 0.3 | 0.3 | 0.495 | 1.5 | 1.0 |
| 114-102 | 1000:5 * | C100 | 0.3 | 0.3 | 0.3 | 0.3 | 0.3 | 0.597 | 1.5 | 1.0 |
| 114-122 | 1200:5 * | C200 | 0.3 | 0.3 | 0.3 | 0.3 | 0.3 | 0.716 | 1.33 | 1.0 |
| 114-152 | 1500:5 * | C200 | 0.3 | 0.3 | 0.3 | 0.3 | 0.3 | 0.896 | 1.0 | 0.8 |
| 114-162 | 1600:5 * | C200 | 0.3 | 0.3 | 0.3 | 0.3 | 0.3 | 0.955 | 1.0 | 0.8 |

* Industry Canada Approval No. T-191

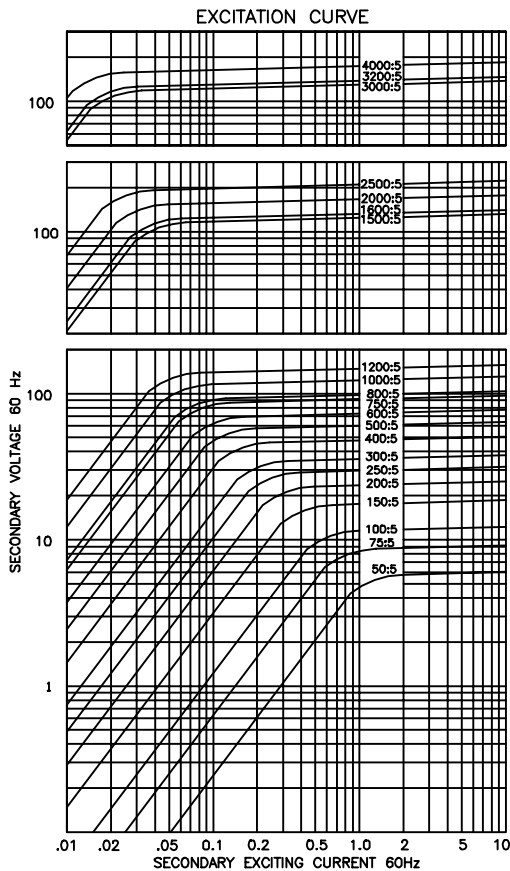


CURRENT TRANSFORMER MODEL 115

Window Diameter 4.00"
Approximate weight: 19 lbs.

| CATALOG NUMBER | CURRENT RATIO | RELAY CLASS | ANSI METERING CLASS AT 60 Hz | | | | | SECONDARY WINDING RESISTANCE (OHMS @ 75°C) | CONTINUOUS THERMAL RATING FACTOR | |
|----------------|---------------|-------------|------------------------------|------|------|------|------|--|----------------------------------|-------|
| | | | B0.1 | B0.2 | B0.5 | B0.9 | B1.8 | | @30°C | @55°C |
| 115-500 | 50:5 | - | 2.4 | 4.8 | - | - | - | 0.025 | 2.0 | 2.0 |
| 115-750 | 75:5 | - | 1.2 | 2.4 | 4.8 | - | - | 0.037 | 2.0 | 2.0 |
| 115-101 | 100:5 | C10 | 1.2 | 1.2 | 2.4 | 4.8 | - | 0.046 | 2.0 | 2.0 |
| 115-151 | 150:5* | C10 | 0.6 | 0.6 | 1.2 | 2.4 | 4.8 | 0.074 | 2.0 | 2.0 |
| 115-201 | 200:5* | C20 | 0.3 | 0.3 | 0.6 | 1.2 | 2.4 | 0.099 | 2.0 | 2.0 |
| 115-251 | 250:5* | C20 | 0.3 | 0.3 | 0.6 | 1.2 | 2.4 | 0.127 | 2.0 | 2.0 |
| 115-301 | 300:5* | C20 | 0.3 | 0.3 | 0.3 | 0.6 | 1.2 | 0.148 | 2.0 | 2.0 |
| 115-401 | 400:5* | C50 | 0.3 | 0.3 | 0.3 | 0.3 | 0.6 | 0.208 | 2.0 | 2.0 |
| 115-501 | 500:5* | C50 | 0.3 | 0.3 | 0.3 | 0.3 | 0.3 | 0.247 | 2.0 | 1.5 |
| 115-601 | 600:5* | C50 | 0.3 | 0.3 | 0.3 | 0.3 | 0.3 | 0.305 | 2.0 | 1.5 |
| 115-751 | 750:5* | C100 | 0.3 | 0.3 | 0.3 | 0.3 | 0.3 | 0.428 | 1.5 | 1.33 |
| 115-801 | 800:5* | C100 | 0.3 | 0.3 | 0.3 | 0.3 | 0.3 | 0.457 | 1.5 | 1.0 |
| 115-102 | 1000:5* | C100 | 0.3 | 0.3 | 0.3 | 0.3 | 0.3 | 0.571 | 1.5 | 1.0 |
| 115-122 | 1200:5* | C100 | 0.3 | 0.3 | 0.3 | 0.3 | 0.3 | 0.660 | 1.33 | 1.0 |
| 115-152 | 1500:5* | C100 | 0.3 | 0.3 | 0.3 | 0.3 | 0.3 | 0.825 | 1.0 | 0.8 |
| 115-162 | 1600:5* | C100 | 0.3 | 0.3 | 0.3 | 0.3 | 0.3 | 0.880 | 1.0 | 0.8 |
| 115-202 | 2000:5* | C200 | 0.3 | 0.3 | 0.3 | 0.3 | 0.3 | 1.100 | 1.0 | 0.8 |
| 115-252 | 2500:5* | C100 | 0.3 | 0.3 | 0.3 | 0.3 | 0.3 | 1.292 | 1.0 | 0.8 |
| 115-302 | 3000:5* | C200 | 0.3 | 0.3 | 0.3 | 0.3 | 0.3 | 1.550 | 0.8 | 0.6 |
| 115-322 | 3200:5* | C200 | 0.3 | 0.3 | 0.3 | 0.3 | 0.3 | 1.653 | 0.8 | 0.6 |

* Industry Canada Approval No. T-192



CURRENT TRANSFORMER MODEL 117

Window Diameter 4.62"
Approximate weight: 13 lbs.

| CATALOG NUMBER | CURRENT RATIO | RELAY CLASS | ANSI METERING CLASS AT 60 Hz | | | | | SECONDARY WINDING RESISTANCE (OHMS @ 75°C) | CONTINUOUS THERMAL RATING FACTOR | |
|----------------|---------------|-------------|------------------------------|------|------|------|------|--|----------------------------------|-------|
| | | | B0.1 | B0.2 | B0.5 | B0.9 | B1.8 | | @30°C | @55°C |
| 117-500 | 50:5 | - | 2.4 | - | - | - | - | 0.015 | 2.0 | 2.0 |
| 117-750 | 75:5 | - | 2.4 | 2.4 | - | - | - | 0.024 | 2.0 | 2.0 |
| 117-101 | 100:5 | - | 1.2 | 2.4 | 4.8 | - | - | 0.043 | 2.0 | 2.0 |
| 117-151 | 150:5 | C10 | 0.6 | 0.6 | 2.4 | 4.8 | 4.8 | 0.069 | 2.0 | 2.0 |
| 117-201 | 200:5 | C10 | 0.6 | 0.6 | 1.2 | 2.4 | 4.8 | 0.085 | 2.0 | 2.0 |
| 117-251 | 250:5* | C20 | 0.6 | 0.6 | 0.6 | 1.2 | 2.4 | 0.106 | 2.0 | 2.0 |
| 117-301 | 300:5* | C20 | 0.3 | 0.3 | 0.6 | 1.2 | 2.4 | 0.145 | 2.0 | 2.0 |
| 117-401 | 400:5* | C20 | 0.3 | 0.3 | 0.3 | 0.6 | 1.2 | 0.184 | 2.0 | 2.0 |
| 117-501 | 500:5* | C20 | 0.3 | 0.3 | 0.3 | 0.3 | 0.6 | 0.236 | 2.0 | 1.5 |
| 117-601 | 600:5* | C20 | 0.3 | 0.3 | 0.3 | 0.3 | 0.6 | 0.283 | 2.0 | 1.5 |
| 117-751 | 750:5* | C50 | 0.3 | 0.3 | 0.3 | 0.3 | 0.3 | 0.354 | 1.5 | 1.33 |
| 117-801 | 800:5* | C50 | 0.3 | 0.3 | 0.3 | 0.3 | 0.3 | 0.425 | 1.5 | 1.33 |
| 117-102 | 1000:5* | C50 | 0.3 | 0.3 | 0.3 | 0.3 | 0.3 | 0.531 | 1.5 | 1.0 |
| 117-122 | 1200:5* | C100 | 0.3 | 0.3 | 0.3 | 0.3 | 0.3 | 0.637 | 1.33 | 1.0 |
| 117-152 | 1500:5* | C50 | 0.3 | 0.3 | 0.3 | 0.3 | 0.3 | 0.768 | 1.33 | 1.0 |
| 117-162 | 1600:5* | C50 | 0.3 | 0.3 | 0.3 | 0.3 | 0.3 | 0.819 | 1.0 | 0.8 |
| 117-202 | 2000:5* | C50 | 0.3 | 0.3 | 0.3 | 0.3 | 0.3 | 1.024 | 1.0 | 0.6 |
| 117-252 | 2500:5* | C100 | 0.3 | 0.3 | 0.3 | 0.3 | 0.3 | 1.279 | 1.0 | 0.6 |
| 117-302 | 3000:5* | - | 0.3 | 0.3 | 0.3 | 0.3 | 0.3 | 1.428 | 1.0 | 0.6 |
| 117-322 | 3200:5* | - | 0.3 | 0.3 | 0.3 | 0.3 | 0.3 | 1.523 | 1.0 | 0.6 |
| 117-402 | 4000:5* | - | 0.3 | 0.3 | 0.3 | 0.3 | 0.3 | 2.385 | 0.8 | 0.6 |

* Industry Canada Approval No. T-193

CURRENT TRANSFORMER

Model 115MR

Window Diameter 4.00"

REGULATORY AGENCY APPROVALS



Manufactured to meet the requirements of ANSI/IEEE C57.13.

Classified by U.L. in accordance with IEC 44-1

Approved for revenue metering by Industry Canada. No. T-192

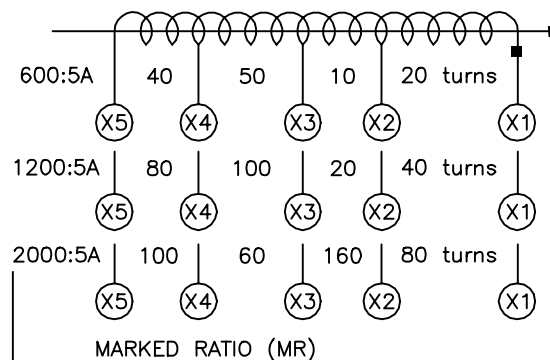
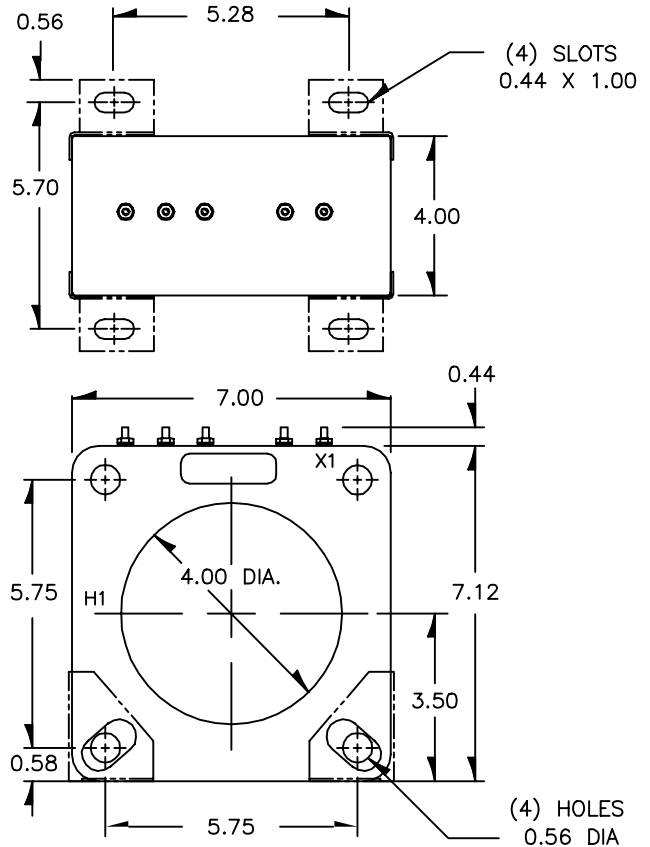
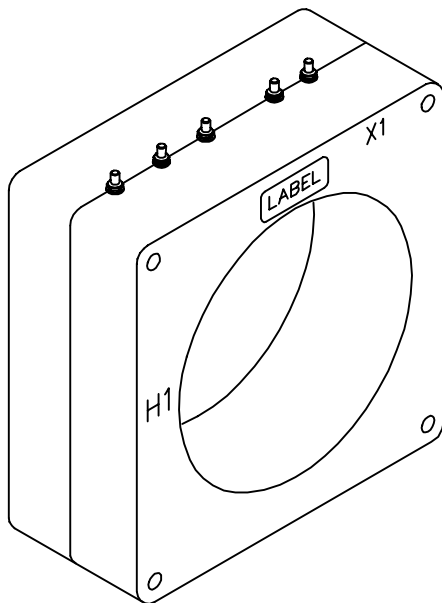
APPLICATION:
Relaying.

FREQUENCY:
50-400Hz

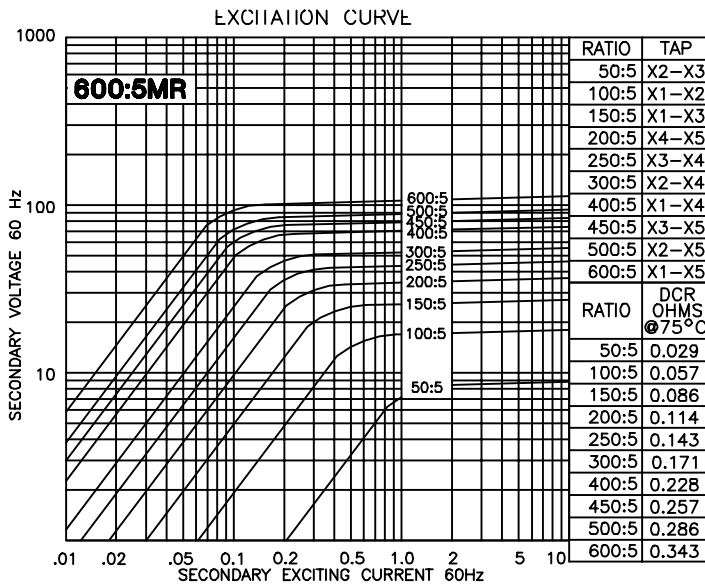
INSULATION LEVEL:
0.6 kV, BIL 10 kV full wave.

CONTINUOUS THERMAL CURRENT RATING FACTOR:
See TRF at curve.

- Terminals are brass studs No.8-32 with one flatwasher, lockwasher and regular nut.
- The transformer winding is arranged so that the turns are fully distributed between all taps.
- Order Mounting Bracket Kit No. 0221B01525 separately.
- Approximate weight 19 lbs.

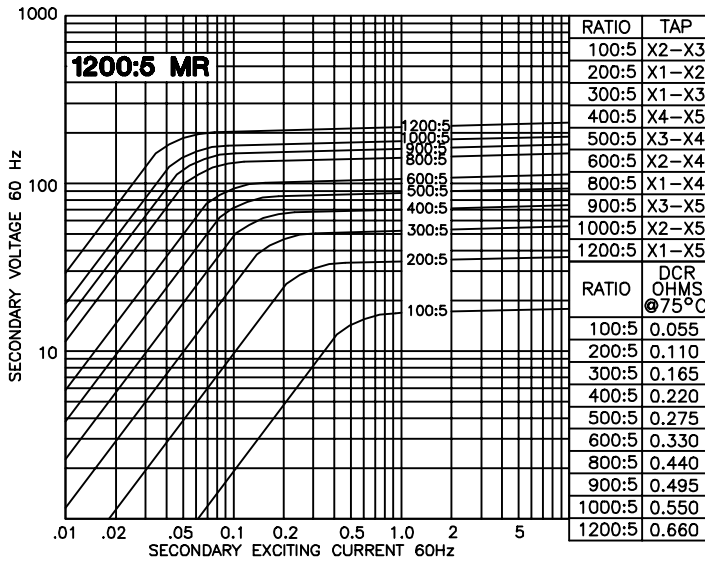


Models 112, 113 and 114 also available as MR.



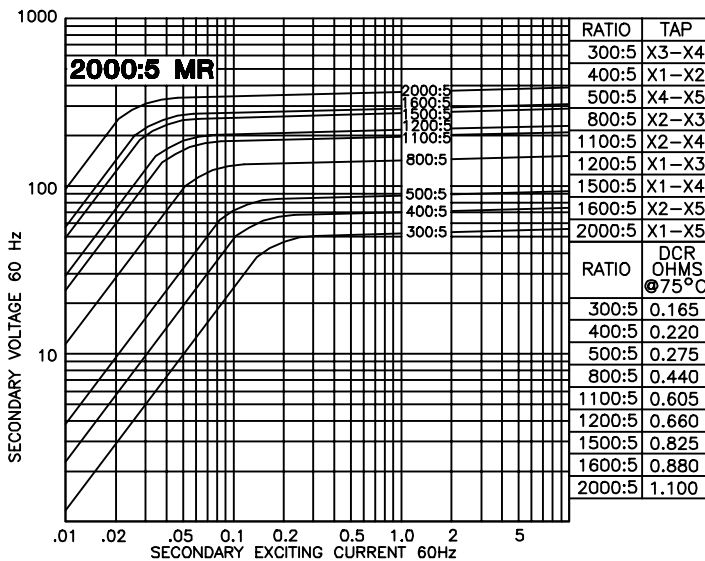
Model 115-601MR - rating C50

TRF = 2.00 @ 30°C, 1.5 @ 55°C amb.



Model 115-122MR - rating C100

TRF = 1.33 @ 30°C, 1.0 @ 55°C amb.



Model 115-202MR - rating C200

TRF = 1.00 @ 30°C, 0.8 @ 55°C amb.

CURRENT TRANSFORMER

Model 117MR

Window Diameter 4.62"

REGULATORY AGENCY APPROVALS



Manufactured to meet the requirements of ANSI/IEEE C57.13.
Classified by U.L. in accordance with IEC 44-1
Approved for revenue metering by Industry Canada. No. T-193

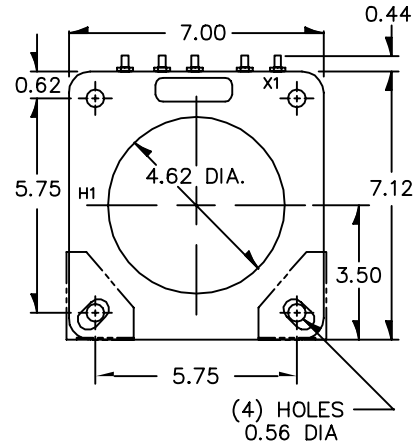
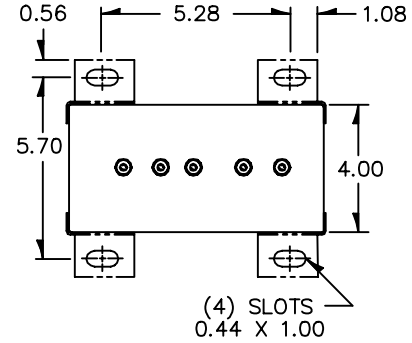
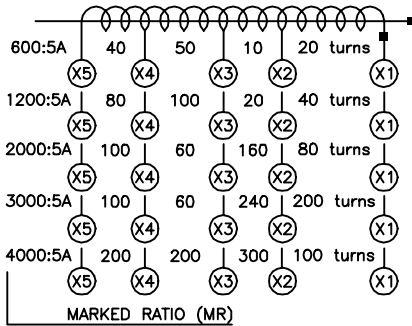
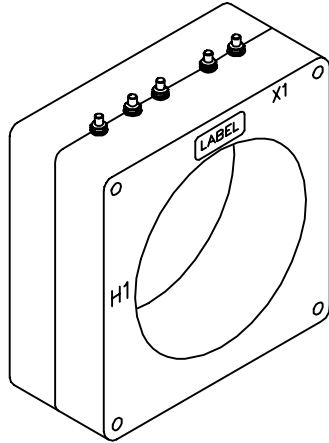
APPLICATION:
Relaying.

FREQUENCY:
50-400Hz

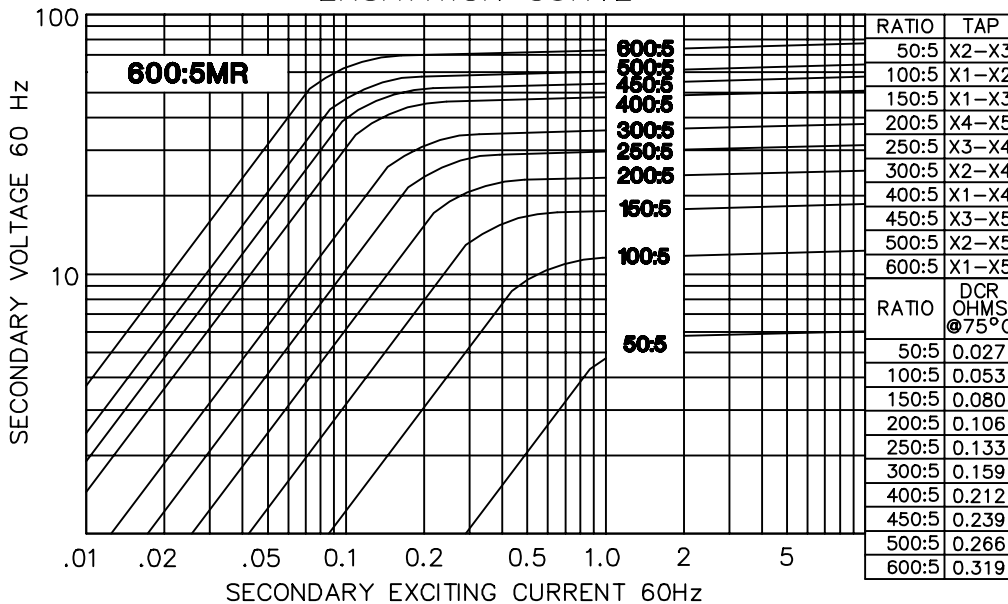
INSULATION LEVEL:
0.6 kV, BIL 10 kV full wave.

CONTINUOUS THERMAL CURRENT RATING FACTOR:
See TRF at curve.

- Terminals are brass studs No.10-32 with one flatwasher and lockwasher.
- The transformer winding is arranged so that the turns are fully distributed between all taps.
- Order Mounting Bracket Kit No. 0221B01525 separately.
- Approximate weight 13 lbs.

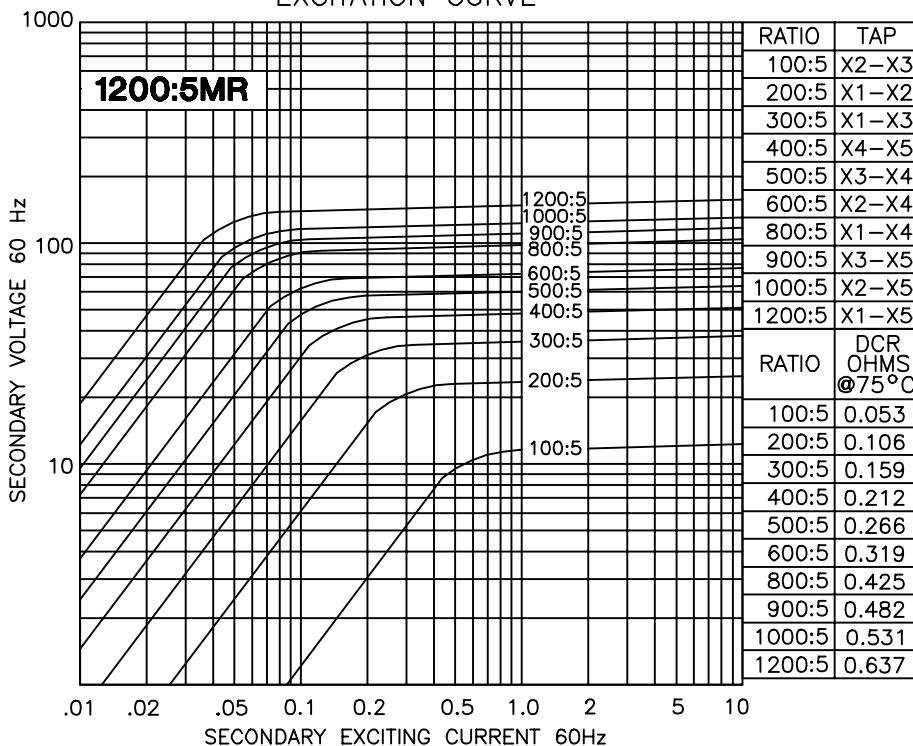


EXCITATION CURVE



Model 117-601MR - rating C20

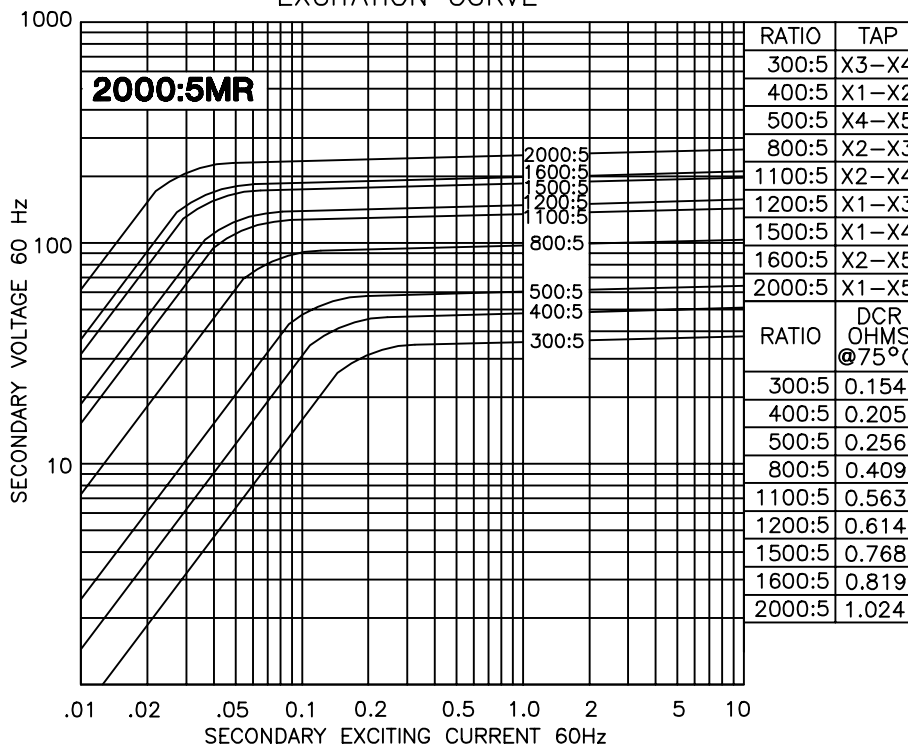
EXCITATION CURVE



Model 117-122MR - rating C100

TRF= 1.33 @ 30°C, 1.0 @ 55°C amb.

EXCITATION CURVE



Model 117-202MR - rating C50

TRF= 1.00 @ 30°C, 0.6 @ 55°C amb.

CURRENT TRANSFORMER

Model 120

Window Diameter 5.75"

APPLICATION:
Relaying and metering.

FREQUENCY:
50-400 Hz.

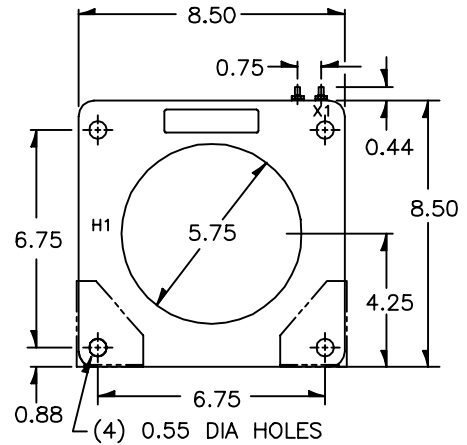
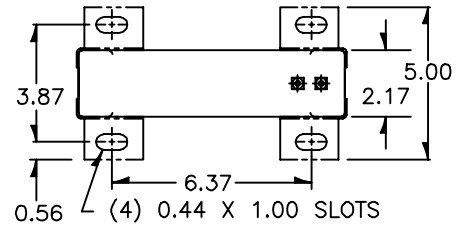
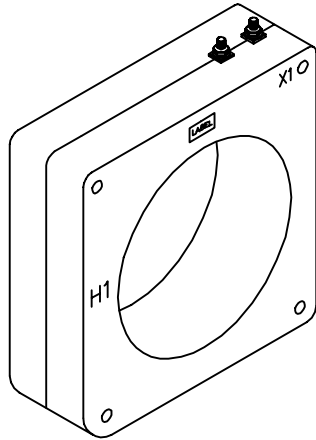
INSULATION LEVEL:
600 Volts, 10 kV BIL full wave.

REGULATORY AGENCY APPROVALS

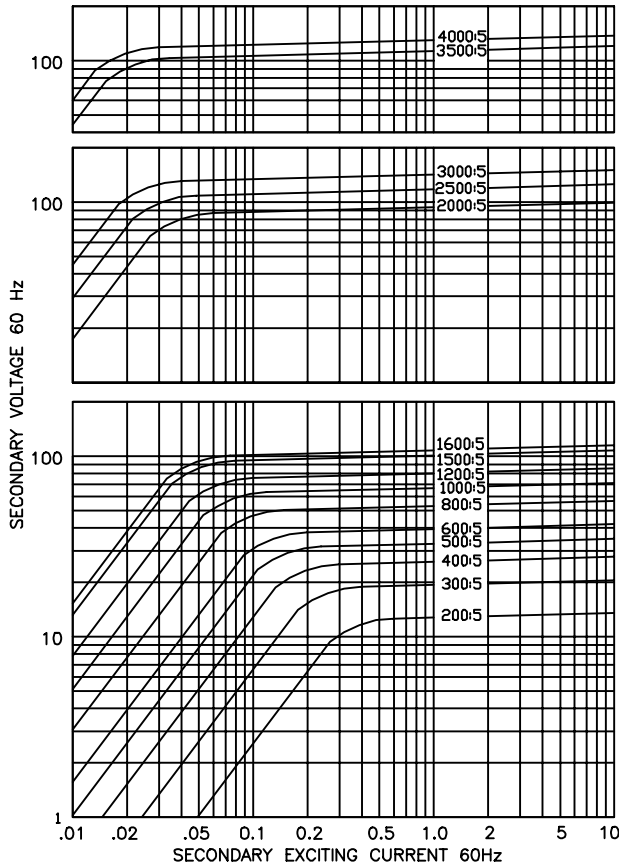


Manufactured to meet the requirements of ANSI/IEEE C57.13.
Classified by U.L. in accordance with IEC 44-1
Approved for revenue metering by Industry Canada. No. T-154(+)

- Terminals are brass studs No. 8-32 UNC with one flatwasher, lockwasher and regular nut.
- Order mounting bracket kit 0221B00185 separately.
- Multi-ratios available on request.
- Approximate weight 11 lbs.



EXCITATION CURVE



| CATALOG NUMBER | CURRENT RATIO | RELAY CLASS | ANSI METERING CLASS AT 60 Hz | | | | | SECONDARY WINDING RESISTANCE (OHMS @ 75°C) | CONTINUOUS THERMAL RATING FACTOR | |
|----------------|---------------|-------------|------------------------------|------|------|------|------|--|----------------------------------|-------|
| | | | B0.1 | B0.2 | B0.5 | B0.9 | B1.8 | | @30°C | @55°C |
| 120-201 | 200:5 | - | 1.2 | 1.2 | 2.4 | 4.8 | 4.8 | 0.053 | 2.0 | 2.0 |
| 120-301 | 300:5* | C10 | 0.3 | 0.6 | 1.2 | 2.4 | 2.4 | 0.063 | 2.0 | 2.0 |
| 120-401 | 400:5* | C10 | 0.3 | 0.3 | 0.6 | 1.2 | 2.4 | 0.080 | 2.0 | 2.0 |
| 120-501 | 500:5* | C20 | 0.3 | 0.3 | 0.3 | 0.6 | 1.2 | 0.137 | 2.0 | 2.0 |
| 120-601 | 600:5* | C20 | 0.3 | 0.3 | 0.3 | 0.6 | 0.6 | 0.165 | 2.0 | 2.0 |
| 120-801 | 800:5* | C20 | 0.3 | 0.3 | 0.3 | 0.3 | 0.6 | 0.220 | 2.0 | 1.5 |
| 120-102 | 1000:5* | C20 | 0.3 | 0.3 | 0.3 | 0.3 | 0.3 | 0.309 | 1.5 | 1.5 |
| 120-122 | 1200:5* | C50 | 0.3 | 0.3 | 0.3 | 0.3 | 0.3 | 0.371 | 1.5 | 1.33 |
| 120-152 | 1500:5* | C50 | 0.3 | 0.3 | 0.3 | 0.3 | 0.3 | 0.464 | 1.5 | 1.0 |
| 120-162 | 1600:5* | C50 | 0.3 | 0.3 | 0.3 | 0.3 | 0.3 | 0.494 | 1.33 | 1.0 |
| 120-202 | 2000:5* | C50 | 0.3 | 0.3 | 0.3 | 0.3 | 0.3 | 0.592 | 1.33 | 1.0 |
| 120-252 | 2500:5* | C50 | 0.3 | 0.3 | 0.3 | 0.3 | 0.3 | 0.740 | 1.0 | 0.8 |
| 120-302 | 3000:5* | C50 | 0.3 | 0.3 | 0.3 | 0.3 | 0.3 | 0.888 | 1.0 | 0.8 |
| 120-352 | 3500:5 | C20 | 0.3 | 0.3 | 0.3 | 0.3 | 0.3 | 0.964 | 1.0 | 0.8 |
| 120-402 | 4000:5* | C50 | 0.3 | 0.3 | 0.3 | 0.3 | 0.3 | 1.102 | 1.0 | 0.8 |

CURRENT TRANSFORMER

Model 126

Window Diameter 8.25"

APPLICATION:
Metering.

FREQUENCY:
50–400 Hz.

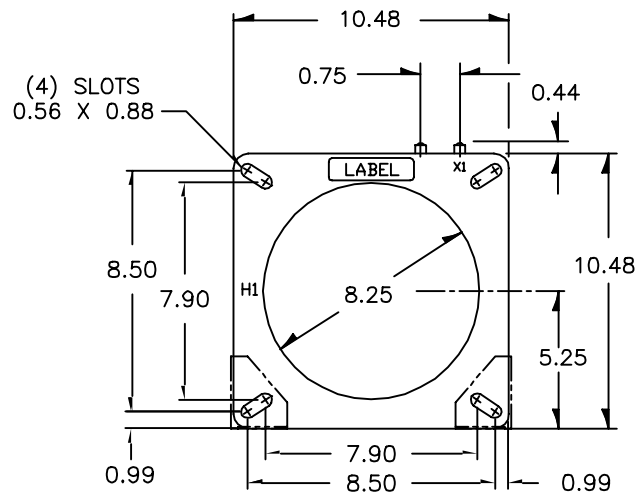
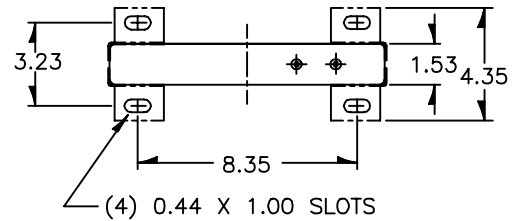
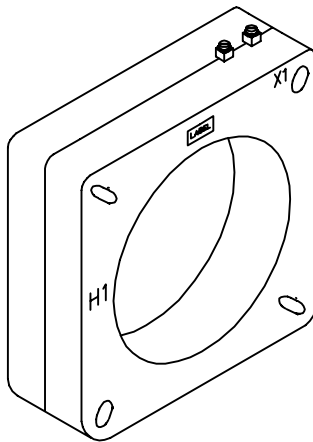
INSULATION LEVEL:
600 Volts, 10 kV BIL full wave.

REGULATORY AGENCY APPROVALS

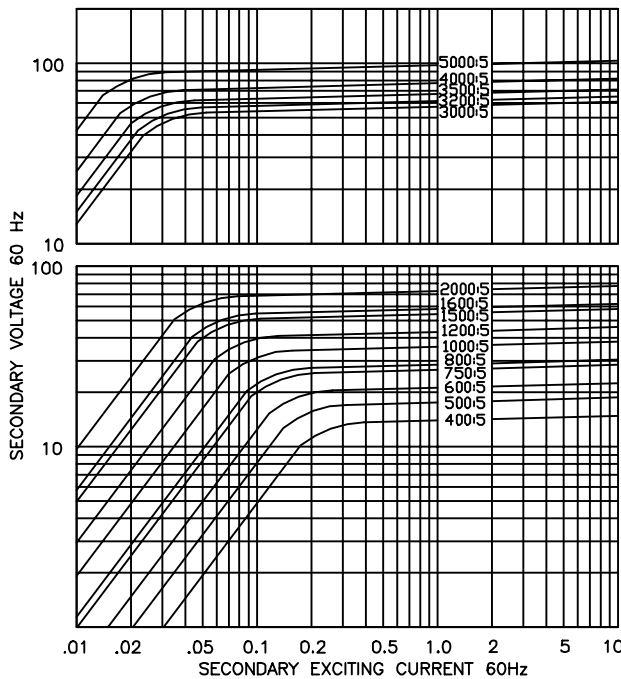


Manufactured to meet the requirements of ANSI/IEEE C57.13.
Classified by U.L. in accordance with IEC 44-1

- Terminals are brass screws No. 10–32 UNC with one flatwasher and lockwasher.
- Order mounting bracket kit 0221B01529 separately.
- Multi-ratios available on request.
- Approximate weight 5.5 lbs.



EXCITATION CURVE



| CATALOG NUMBER | CURRENT RATIO | VA FOR ± 1% CLASS | ANSI METERING CLASS AT 60 Hz | | | | | SECONDARY WINDING RESISTANCE (OHMS @ 75 °C) | CONTINUOUS THERMAL RATING FACTOR | |
|----------------|---------------|-------------------|------------------------------|------|------|------|------|---|----------------------------------|-------|
| | | | B0.1 | B0.2 | B0.5 | B0.9 | B1.8 | | @30°C | @55°C |
| 126-401 | 400:5 | 4.0 | 0.6 | 1.2 | 1.2 | 2.4 | 4.8 | 0.116 | 2.0 | 2.0 |
| 126-501 | 500:5 | 7.5 | 0.6 | 0.6 | 1.2 | 1.2 | 2.4 | 0.145 | 2.0 | 2.0 |
| 126-601 | 600:5 | 10.0 | 0.6 | 0.6 | 0.6 | 1.2 | 2.4 | 0.173 | 2.0 | 2.0 |
| 126-751 | 750:5 | 15.0 | 0.3 | 0.3 | 0.6 | 0.6 | 1.2 | 0.217 | 2.0 | 1.5 |
| 126-801 | 800:5 | 20.0 | 0.3 | 0.3 | 0.6 | 0.6 | 1.2 | 0.231 | 2.0 | 1.5 |
| 126-102 | 1000:5 | 25.0 | 0.3 | 0.3 | 0.3 | 0.6 | 0.6 | 0.289 | 2.0 | 1.5 |
| 126-122 | 1200:5 | 40.0 | 0.3 | 0.3 | 0.3 | 0.3 | 0.3 | 0.347 | 1.5 | 1.33 |
| 126-152 | 1500:5 | 50.0 | 0.3 | 0.3 | 0.3 | 0.3 | 0.3 | 0.434 | 1.5 | 1.0 |
| 126-162 | 1600:5 | 50.0 | 0.3 | 0.3 | 0.3 | 0.3 | 0.3 | 0.462 | 1.5 | 1.0 |
| 126-202 | 2000:5 | 60.0 | 0.3 | 0.3 | 0.3 | 0.3 | 0.3 | 0.578 | 1.33 | 1.0 |
| 126-252 | 2500:5 | 75.0 | 0.3 | 0.3 | 0.3 | 0.3 | 0.3 | 0.904 | 1.0 | 0.8 |
| 126-302 | 3000:5 | 90.0 | 0.3 | 0.3 | 0.3 | 0.3 | 0.3 | 0.722 | 1.33 | 1.0 |
| 126-322 | 3200:5 | 95.0 | 0.3 | 0.3 | 0.3 | 0.3 | 0.3 | 0.770 | 1.33 | 1.0 |
| 126-352 | 3500:5 | 100.0 | 0.3 | 0.3 | 0.3 | 0.3 | 0.3 | 0.842 | 1.0 | 0.8 |
| 126-402 | 4000:5 | 125.0 | 0.3 | 0.3 | 0.3 | 0.3 | 0.3 | 0.962 | 1.0 | 0.8 |
| 126-502 | 5000:5 | 140.0 | 0.3 | 0.3 | 0.3 | 0.3 | 0.3 | 1.203 | 1.0 | 0.8 |

CURRENT TRANSFORMER

Model 129

Window Diameter 5.50"

APPLICATION:
Relaying and metering.

FREQUENCY:
50-400 Hz.

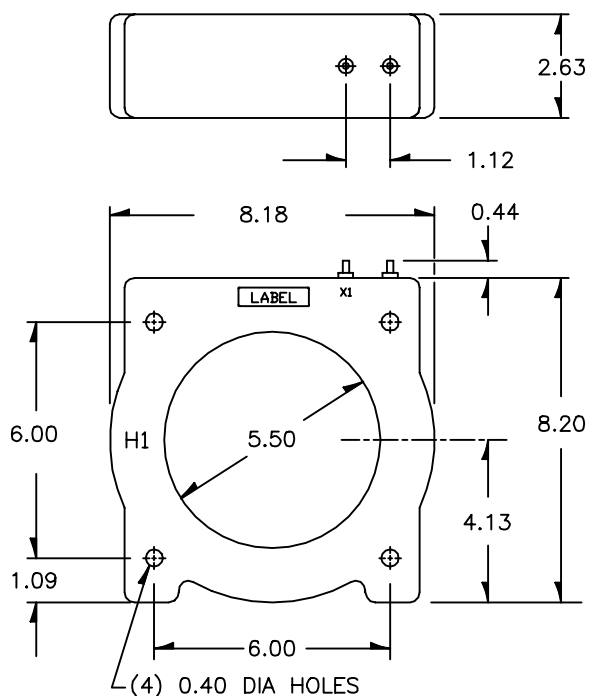
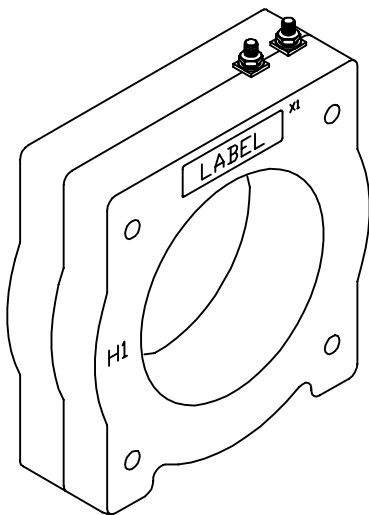
INSULATION LEVEL:
600 Volts, 10 kV BIL full wave.

- Terminals are brass studs No. 8-32 UNC with one flatwasher, lockwasher and regular nut.
- Removable cover & shorting device available at extra cost.
- Approximate weight 11 lbs.

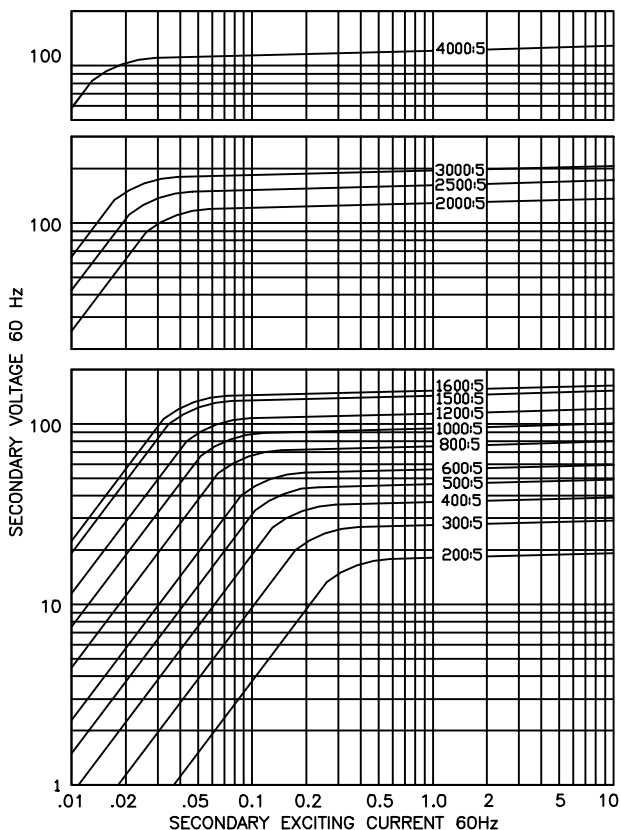
REGULATORY AGENCY APPROVALS



Manufactured to meet the requirements of ANSI/IEEE C57.13.
Classified by U.L. in accordance with IEC 44-1



EXCITATION CURVE



| CATALOG NUMBER | CURRENT RATIO | RELAY CLASS | ANSI METERING CLASS AT 60 Hz | | | | | SECONDARY WINDING RESISTANCE (OHMS @ 75 °C) | CONTINUOUS THERMAL RATING FACTOR | |
|----------------|---------------|-------------|------------------------------|------|------|------|------|---|----------------------------------|-------|
| | | | B0.1 | B0.2 | B0.5 | B0.9 | B1.8 | | @30°C | @55°C |
| 129-201 | 200:5 | C10 | 0.6 | 1.2 | 2.4 | 2.4 | 4.8 | 0.039 | 2.0 | 2.0 |
| 129-301 | 300:5 | C20 | 0.3 | 0.6 | 0.6 | 1.2 | 2.4 | 0.059 | 2.0 | 2.0 |
| 129-401 | 400:5 | C20 | 0.3 | 0.6 | 0.6 | 0.6 | 1.2 | 0.078 | 2.0 | 2.0 |
| 129-501 | 500:5 | C30 | 0.3 | 0.3 | 0.3 | 0.6 | 1.2 | 0.098 | 2.0 | 2.0 |
| 129-601 | 600:5 | C30 | 0.3 | 0.3 | 0.3 | 0.3 | 0.6 | 0.117 | 2.0 | 2.0 |
| 129-801 | 800:5 | C50 | 0.3 | 0.3 | 0.3 | 0.3 | 0.3 | 0.196 | 2.0 | 1.5 |
| 129-102 | 1000:5 | C50 | 0.3 | 0.3 | 0.3 | 0.3 | 0.3 | 0.386 | 1.5 | 1.33 |
| 129-122 | 1200:5 | C50 | 0.3 | 0.3 | 0.3 | 0.3 | 0.3 | 0.463 | 1.5 | 1.0 |
| 129-152 | 1500:5 | C100 | 0.3 | 0.3 | 0.3 | 0.3 | 0.3 | 0.579 | 1.5 | 1.0 |
| 129-162 | 1600:5 | C100 | 0.3 | 0.3 | 0.3 | 0.3 | 0.3 | 0.777 | 1.33 | 1.0 |
| 129-202 | 2000:5 | C50 | 0.3 | 0.3 | 0.3 | 0.3 | 0.3 | 0.685 | 1.33 | 1.0 |
| 129-252 | 2500:5 | C50 | 0.3 | 0.3 | 0.3 | 0.3 | 0.3 | 0.856 | 1.0 | 0.8 |
| 129-302 | 3000:5 | C100 | 0.3 | 0.3 | 0.3 | 0.3 | 0.3 | 1.028 | 1.0 | 0.8 |
| 129-402 | 4000:5 | C20 | 0.3 | 0.3 | 0.3 | 0.3 | 0.3 | 1.196 | 1.0 | 0.8 |

CURRENT TRANSFORMER

Model 130

Window Diameter 5.75"

APPLICATION:

Relaying and metering.

FREQUENCY:

50-400 Hz.

INSULATION LEVEL:

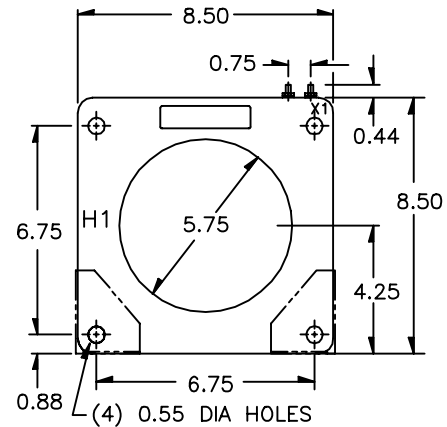
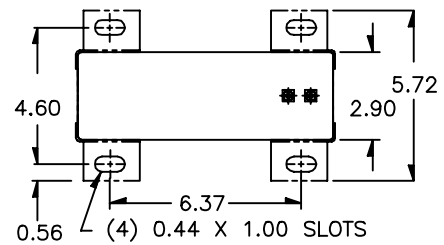
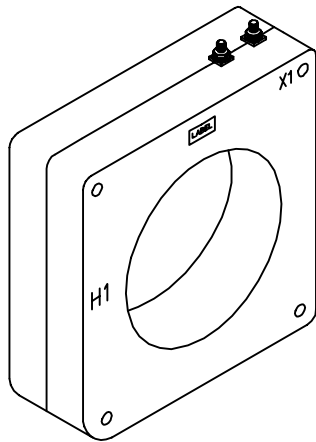
600 Volts, 10 kV BIL full wave.

REGULATORY AGENCY APPROVALS

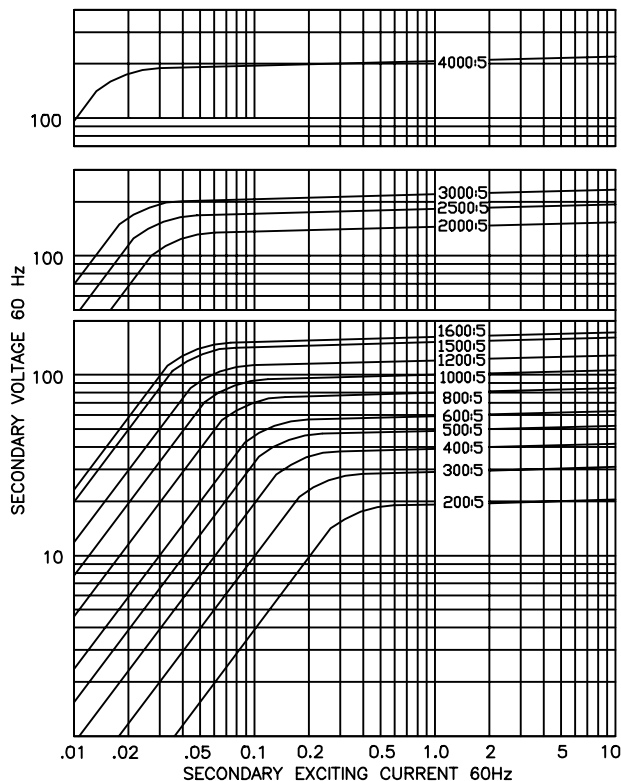


Manufactured to meet the requirements of ANSI/IEEE C57.13.
Classified by U.L. in accordance with IEC 44-1

- Terminals are brass studs No. 8-32 UNC with one flatwasher, lockwasher and regular nut.
- Other ratios available on request.
- Multi-ratios available on request.
- Order mounting bracket kit 0221B00186 separately.
- Approximate weight 18 lbs.



EXCITATION CURVE



| CATALOG NUMBER | CURRENT RATIO | RELAY CLASS | ANSI METERING CLASS AT 60 Hz | | | | | SECONDARY WINDING RESISTANCE (OHMS @ 75°C) | CONTINUOUS THERMAL RATING FACTOR | |
|----------------|---------------|-------------|------------------------------|------|------|------|------|--|----------------------------------|--------|
| | | | B0.1 | B0.2 | B0.5 | B0.9 | B1.8 | | @ 30°C | @ 55°C |
| 130-201 | 200:5 | C10 | 0.6 | 0.6 | 2.4 | 2.4 | 4.8 | 0.064 | 2.0 | 2.0 |
| 130-301 | 300:5 | C20 | 0.3 | 0.3 | 1.2 | 1.2 | 2.4 | 0.105 | 2.0 | 2.0 |
| 130-401 | 400:5 | C20 | 0.3 | 0.3 | 0.6 | 1.2 | 1.2 | 0.140 | 2.0 | 2.0 |
| 130-501 | 500:5 | C20 | 0.3 | 0.3 | 0.3 | 0.6 | 1.2 | 0.175 | 2.0 | 2.0 |
| 130-601 | 600:5 | C20 | 0.3 | 0.3 | 0.3 | 0.6 | 1.2 | 0.210 | 2.0 | 1.5 |
| 130-801 | 800:5 | C50 | 0.3 | 0.3 | 0.3 | 0.3 | 0.6 | 0.324 | 2.0 | 1.5 |
| 130-102 | 1000:5 | C50 | 0.3 | 0.3 | 0.3 | 0.3 | 0.3 | 0.404 | 1.5 | 1.33 |
| 130-122 | 1200:5 | C50 | 0.3 | 0.3 | 0.3 | 0.3 | 0.3 | 0.485 | 1.5 | 1.0 |
| 130-152 | 1500:5 | C100 | 0.3 | 0.3 | 0.3 | 0.3 | 0.3 | 0.607 | 1.5 | 1.0 |
| 130-162 | 1600:5 | C100 | 0.3 | 0.3 | 0.3 | 0.3 | 0.3 | 0.647 | 1.33 | 1.0 |
| 130-202 | 2000:5 | C100 | 0.3 | 0.3 | 0.3 | 0.3 | 0.3 | 0.783 | 1.33 | 1.0 |
| 130-252 | 2500:5 | C100 | 0.3 | 0.3 | 0.3 | 0.3 | 0.3 | 0.979 | 1.0 | 0.8 |
| 130-302 | 3000:5 | C100 | 0.3 | 0.3 | 0.3 | 0.3 | 0.3 | 1.175 | 1.0 | 0.8 |
| 130-402 | 4000:5 | C100 | 0.3 | 0.3 | 0.3 | 0.3 | 0.3 | 1.484 | 1.0 | 0.6 |

CURRENT TRANSFORMER

Model 135

Window Diameter 5.75"

APPLICATION:
Relaying and metering.

FREQUENCY:
50–400 Hz.

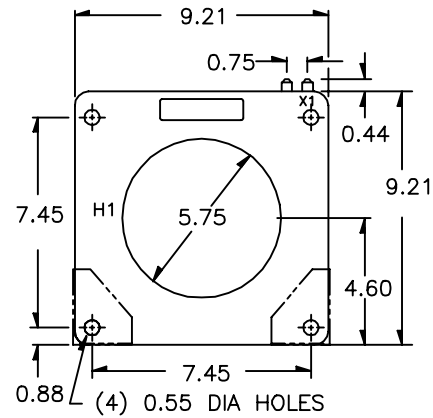
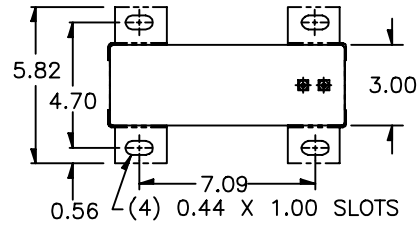
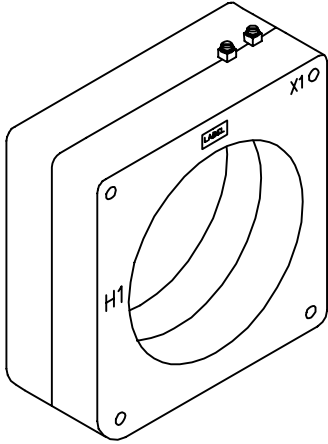
INSULATION LEVEL:
600 Volts, 10 kV BIL full wave.

REGULATORY AGENCY APPROVALS

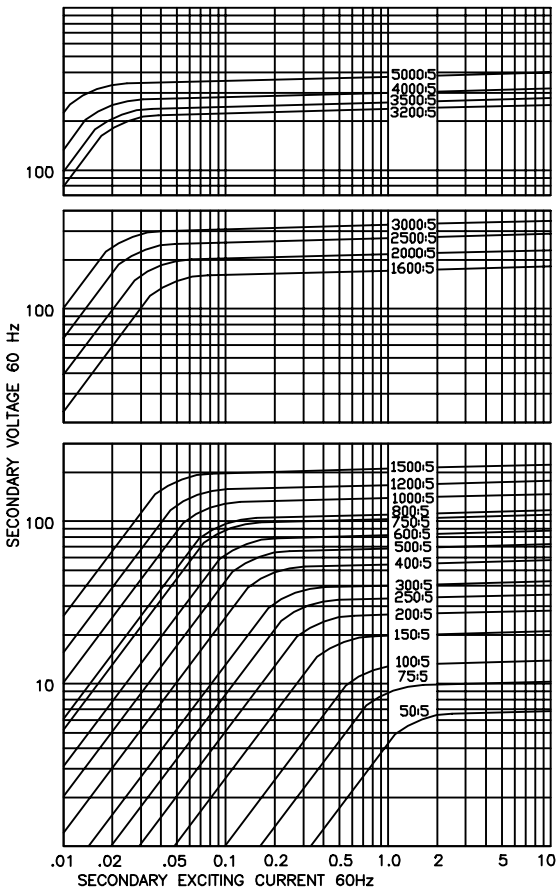


Manufactured to meet the requirements of ANSI/IEEE C57.13.
Classified by U.L. in accordance with IEC 44-1
Approved for revenue metering by Industry Canada. No. T-194(*)

- Terminals are brass screws No. 10–32 UNF with one flatwasher and lockwasher.
- Multi-ratios available on request.
- Order mounting bracket kit 0221B00186 separately.
- Approximate weight 18 lbs.



EXCITATION CURVE



| CATALOG NUMBER | CURRENT RATIO | RELAY CLASS | ANSI METERING CLASS AT 60 Hz | | | | | SECONDARY WINDING RESISTANCE (OHMS @ 75 °C) | CONTINUOUS THERMAL RATING FACTOR | |
|----------------|---------------|-------------|------------------------------|------|------|------|------|---|----------------------------------|-------|
| | | | B0.1 | B0.2 | B0.5 | B0.9 | B1.8 | | ③30°C | ③55°C |
| 135-500 | 50:5 | - | 4.8 | - | - | - | - | 0.015 | 2.0 | 2.0 |
| 135-750 | 75:5 | - | 2.4 | 4.8 | - | - | - | 0.027 | 2.0 | 2.0 |
| 135-101 | 100:5 | - | 1.2 | 2.4 | 4.8 | - | - | 0.036 | 2.0 | 2.0 |
| 135-151 | 150:5 | C10 | 0.6 | 1.2 | 2.4 | 4.8 | - | 0.059 | 2.0 | 2.0 |
| 135-201 | 200:5 * | C10 | 0.6 | 0.6 | 1.2 | 2.4 | 4.8 | 0.078 | 2.0 | 2.0 |
| 135-251 | 250:5 * | C20 | 0.6 | 0.6 | 1.2 | 2.4 | 2.4 | 0.113 | 2.0 | 2.0 |
| 135-301 | 300:5 * | C20 | 0.3 | 0.3 | 0.6 | 1.2 | 2.4 | 0.117 | 2.0 | 2.0 |
| 135-401 | 400:5 * | C20 | 0.3 | 0.3 | 0.3 | 0.6 | 1.2 | 0.156 | 2.0 | 2.0 |
| 135-501 | 500:5 * | C50 | 0.3 | 0.3 | 0.3 | 0.3 | 0.6 | 0.181 | 2.0 | 2.0 |
| 135-601 | 600:5 * | C50 | 0.3 | 0.3 | 0.3 | 0.3 | 0.6 | 0.217 | 2.0 | 2.0 |
| 135-751 | 750:5 * | C50 | 0.3 | 0.3 | 0.3 | 0.3 | 0.6 | 0.339 | 2.0 | 1.5 |
| 135-801 | 800:5 * | C50 | 0.3 | 0.3 | 0.3 | 0.3 | 0.6 | 0.362 | 2.0 | 1.5 |
| 135-102 | 1000:5 * | C100 | 0.3 | 0.3 | 0.3 | 0.3 | 0.3 | 0.452 | 1.5 | 1.33 |
| 135-122 | 1200:5 * | C100 | 0.3 | 0.3 | 0.3 | 0.3 | 0.3 | 0.543 | 1.5 | 1.33 |
| 135-152 | 1500:5 * | C100 | 0.3 | 0.3 | 0.3 | 0.3 | 0.3 | 0.678 | 1.5 | 1.0 |
| 135-162 | 1600:5 * | C100 | 0.3 | 0.3 | 0.3 | 0.3 | 0.3 | 0.694 | 1.5 | 1.0 |
| 135-202 | 2000:5 * | C100 | 0.3 | 0.3 | 0.3 | 0.3 | 0.3 | 0.867 | 1.33 | 1.0 |
| 135-252 | 2500:5 * | C200 | 0.3 | 0.3 | 0.3 | 0.3 | 0.3 | 1.084 | 1.0 | 0.8 |
| 135-302 | 3000:5 * | C200 | 0.3 | 0.3 | 0.3 | 0.3 | 0.3 | 1.301 | 1.0 | 0.8 |
| 135-322 | 3200:5 * | C200 | 0.3 | 0.3 | 0.3 | 0.3 | 0.3 | 1.279 | 1.0 | 0.8 |
| 135-352 | 3500:5 * | C200 | 0.3 | 0.3 | 0.3 | 0.3 | 0.3 | 1.399 | 1.0 | 0.8 |
| 135-402 | 4000:5 * | C200 | 0.3 | 0.3 | 0.3 | 0.3 | 0.3 | 1.598 | 1.0 | 0.6 |
| 135-502 | 5000:5 * | C200 | 0.3 | 0.3 | 0.3 | 0.3 | 0.3 | 2.459 | 1.0 | 0.6 |

CURRENT TRANSFORMER

Model 135MR

Window Diameter 5.75"

REGULATORY AGENCY APPROVALS



Manufactured to meet the requirements of ANSI/IEEE C57.13.
Classified by U.L. in accordance with IEC 44-1
Approved for revenue metering by Industry Canada. No. T-194

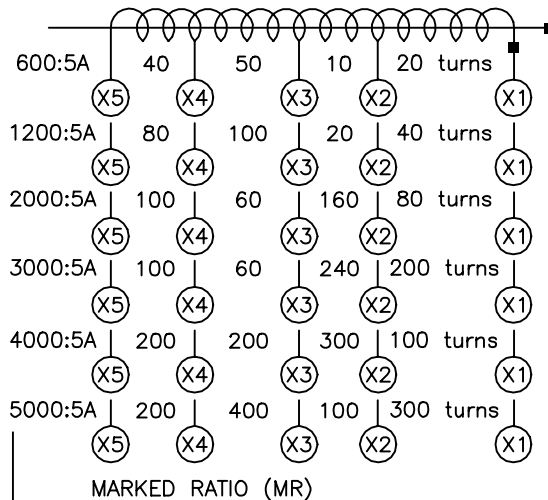
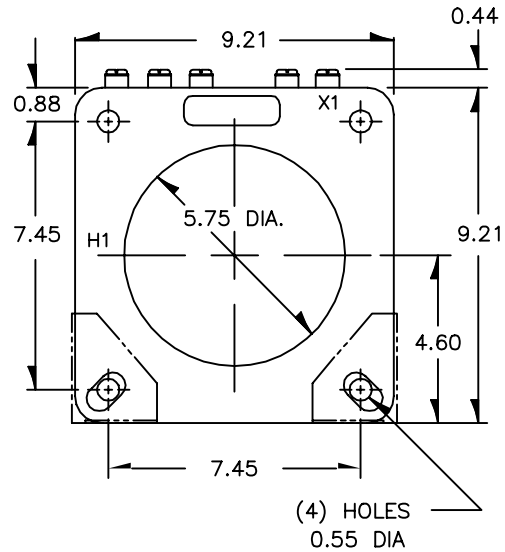
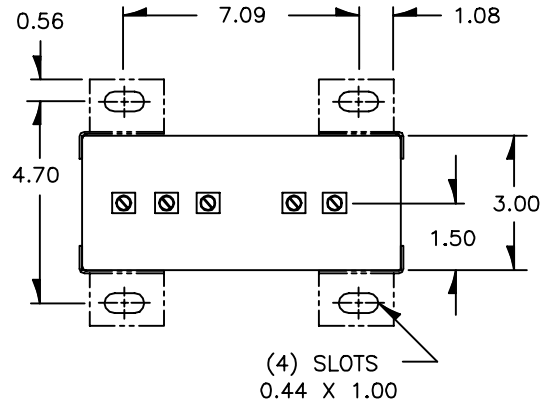
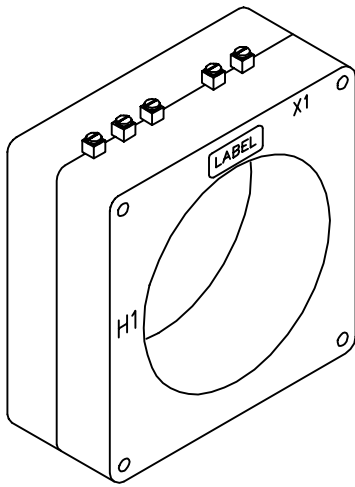
APPLICATION:
Relaying.

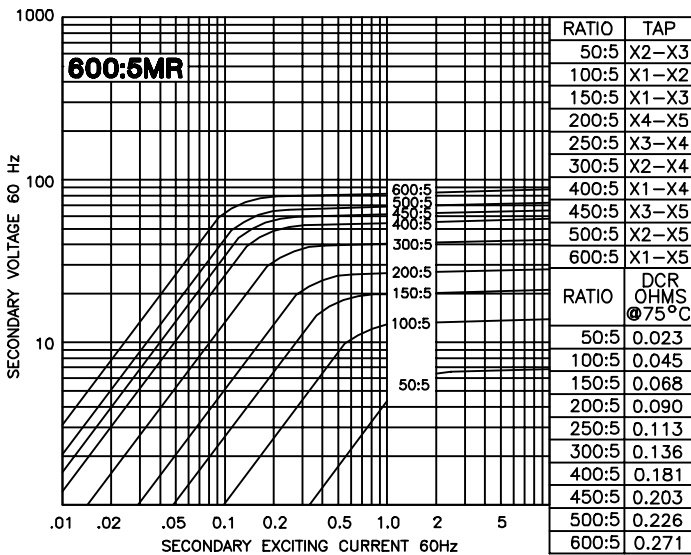
FREQUENCY:
50-400Hz

INSULATION LEVEL:
0.6 kV, BIL 10 kV full wave.

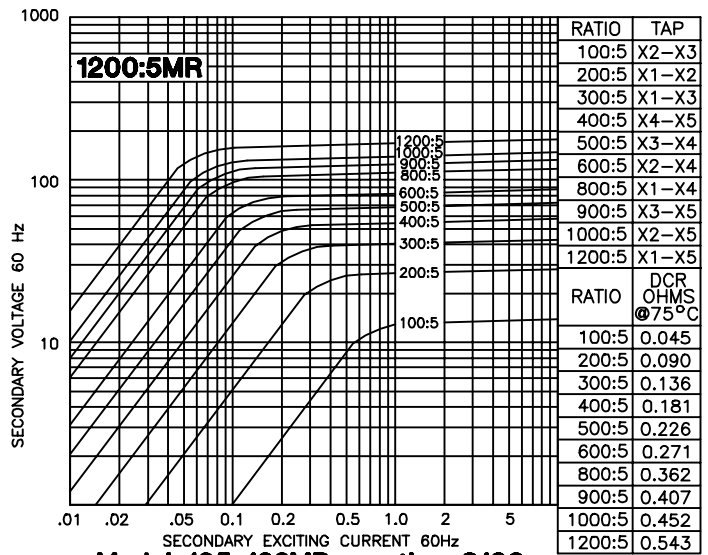
CONTINUOUS THERMAL CURRENT RATING FACTOR:
See TRF at curve.

- Terminals are brass screws No.10-32 with one flatwasher and lockwasher.
- The transformer winding is arranged so that the turns are fully distributed between all taps.
- Order Mounting Bracket Kit No. 0221B00186 separately.
- Approximate weight 18 lbs.

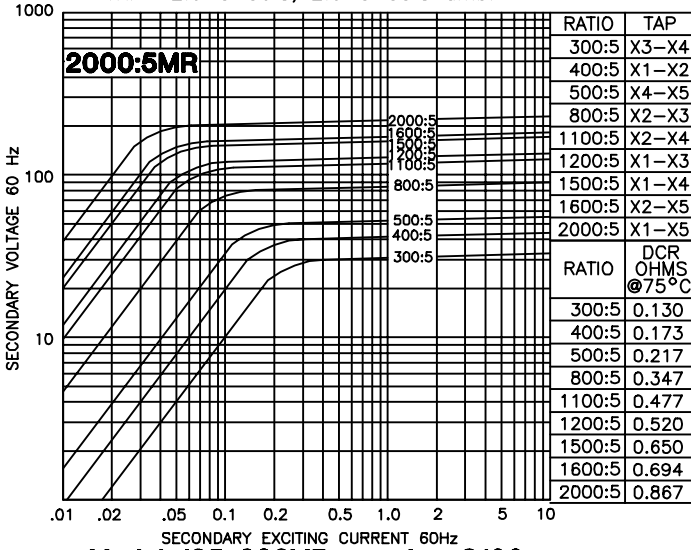




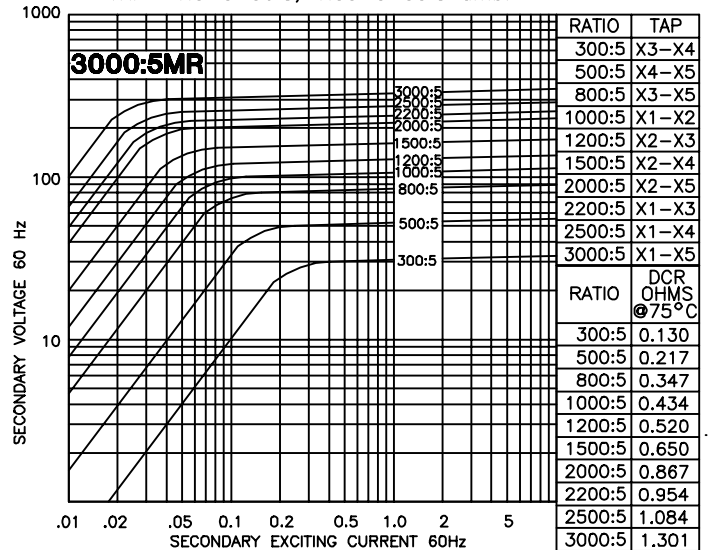
Model 135-601MR - rating C50
TRF= 2.0 @ 30°C, 2.0 @ 55°C amb.



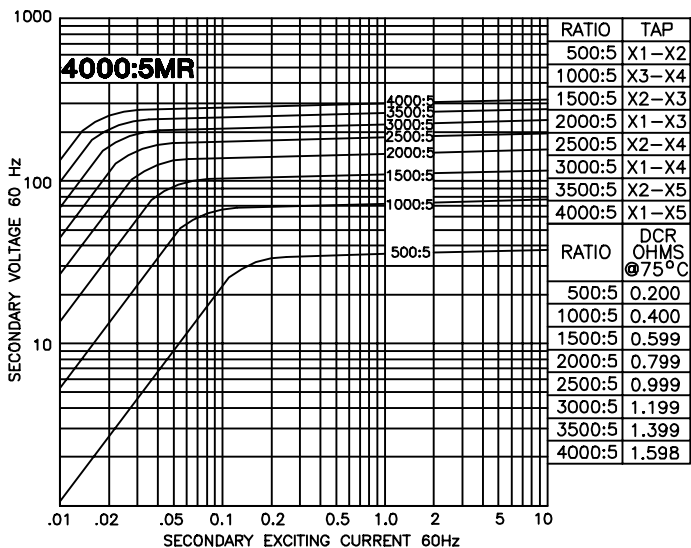
Model 135-122MR - rating C100
TRF= 1.5 @ 30°C, 1.33 @ 55°C amb.



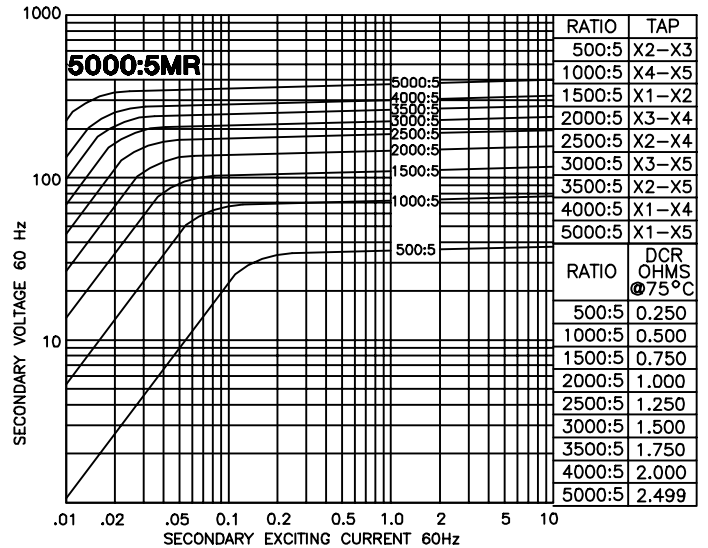
Model 135-202MR - rating C100
TRF= 1.0 @ 30°C, 0.8 @ 55°C amb.



Model 135-302MR - rating C200
TRF= 1.0 @ 30°C, 0.8 @ 55°C amb.



Model 135-402MR - rating C200
TRF= 1.0 @ 30°C, 0.6 @ 55°C amb.



Model 135-502MR - rating C200
TRF= 1.0 @ 30°C, 0.6 @ 55°C amb.

CURRENT TRANSFORMER

Model 137

Window Diameter 5.50"

APPLICATION:
Relaying and metering.

FREQUENCY:
50-400 Hz.

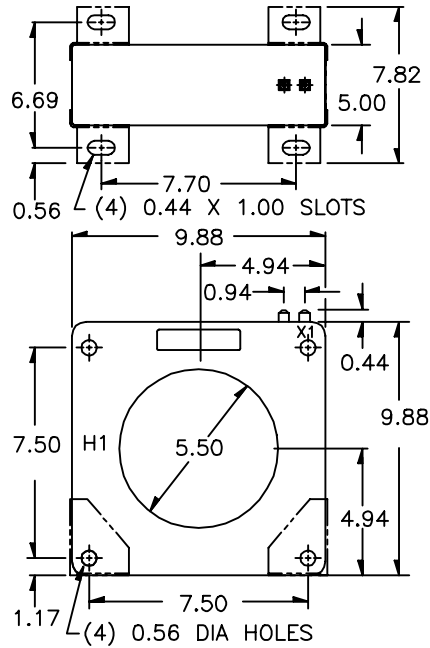
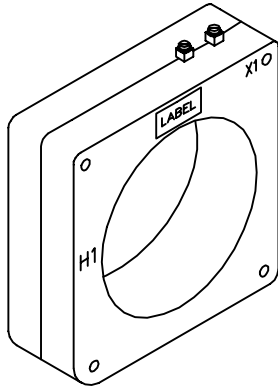
INSULATION LEVEL:
600 Volts, 10 kV BIL full wave.
REGULATORY AGENCY APPROVALS

- Terminals are brass screws No.10-32 with one flatwasher and lockwasher.
- Order mounting bracket kit 0221B01528 separately.
- Multi-ratios available on request.
- Approximate weight 50 lbs.

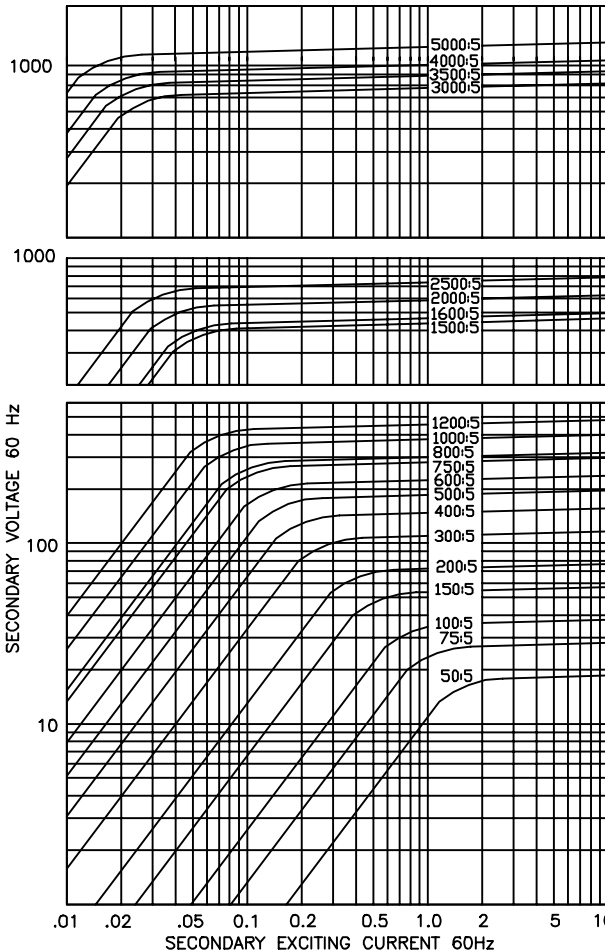


Manufactured to meet the requirements of ANSI/IEEE C57.13.
Classified by U.L. in accordance with IEC 44-1

Approved for revenue metering by Industry Canada. No. T-260(*)



EXCITATION CURVE



| CATALOG NUMBER | CURRENT RATIO | RELAY CLASS | ANSI METERING CLASS AT 60 Hz | | | | | SECONDARY WINDING RESISTANCE (OHMS @ 75 °C) | CONTINUOUS THERMAL RATING FACTOR | |
|----------------|---------------|-------------|------------------------------|------|------|------|------|---|----------------------------------|-------|
| | | | B0.1 | B0.2 | B0.5 | B0.9 | B1.8 | | @30°C | @55°C |
| 137-500 | 50:5 | C10 | 2.4 | 4.8 | - | - | - | 0.019 | 2.0 | 2.0 |
| 137-750 | 75:5 | C20 | 1.2 | 2.4 | 4.8 | - | - | 0.029 | 2.0 | 2.0 |
| 137-101 | 100:5 | C20 | 1.2 | 1.2 | 2.4 | 4.8 | - | 0.039 | 2.0 | 2.0 |
| 137-151 | 150:5 * | C20 | 0.6 | 0.6 | 1.2 | 2.4 | 4.8 | 0.058 | 2.0 | 2.0 |
| 137-201 | 200:5 * | C50 | 0.3 | 0.6 | 1.2 | 1.2 | 2.4 | 0.078 | 2.0 | 2.0 |
| 137-251 | 250:5 * | C50 | 0.3 | 0.3 | 0.6 | 1.2 | 1.2 | 0.097 | 2.0 | 2.0 |
| 137-301 | 300:5 * | C100 | 0.3 | 0.3 | 0.6 | 0.6 | 1.2 | 0.116 | 2.0 | 2.0 |
| 137-401 | 400:5 * | C100 | 0.3 | 0.3 | 0.3 | 0.3 | 0.6 | 0.155 | 2.0 | 2.0 |
| 137-501 | 500:5 * | C100 | 0.3 | 0.3 | 0.3 | 0.3 | 0.6 | 0.194 | 2.0 | 2.0 |
| 137-601 | 600:5 * | C200 | 0.3 | 0.3 | 0.3 | 0.3 | 0.3 | 0.233 | 2.0 | 2.0 |
| 137-751 | 750:5 * | C200 | 0.3 | 0.3 | 0.3 | 0.3 | 0.3 | 0.291 | 2.0 | 2.0 |
| 137-801 | 800:5 * | C200 | 0.3 | 0.3 | 0.3 | 0.3 | 0.3 | 0.390 | 2.0 | 2.0 |
| 137-102 | 1000:5 * | C200 | 0.3 | 0.3 | 0.3 | 0.3 | 0.3 | 0.488 | 2.0 | 1.5 |
| 137-122 | 1200:5 * | C400 | 0.3 | 0.3 | 0.3 | 0.3 | 0.3 | 0.585 | 2.0 | 1.5 |
| 137-152 | 1500:5 * | C400 | 0.3 | 0.3 | 0.3 | 0.3 | 0.3 | 0.678 | 1.5 | 1.33 |
| 137-162 | 1600:5 * | C400 | 0.3 | 0.3 | 0.3 | 0.3 | 0.3 | 0.723 | 1.5 | 1.33 |
| 137-202 | 2000:5 * | C400 | 0.3 | 0.3 | 0.3 | 0.3 | 0.3 | 0.903 | 1.5 | 1.0 |
| 137-252 | 2500:5 * | C400 | 0.3 | 0.3 | 0.3 | 0.3 | 0.3 | 1.129 | 1.5 | 1.0 |
| 137-302 | 3000:5 * | C400 | 0.3 | 0.3 | 0.3 | 0.3 | 0.3 | 1.279 | 1.33 | 1.0 |
| 137-352 | 3500:5 * | C400 | 0.3 | 0.3 | 0.3 | 0.3 | 0.3 | 1.492 | 1.0 | 0.8 |
| 137-402 | 4000:5 * | C400 | 0.3 | 0.3 | 0.3 | 0.3 | 0.3 | 2.136 | 1.0 | 0.8 |
| 137-502 | 5000:5 * | C400 | 0.3 | 0.3 | 0.3 | 0.3 | 0.3 | 4.199 | 0.6 | 0.3 |

CURRENT TRANSFORMER

Model 137MR

Window Diameter 5.50"

REGULATORY AGENCY APPROVALS



Manufactured to meet the requirements of ANSI/IEEE C57.13.
Classified by U.L. in accordance with IEC 44-1
Approved for revenue metering by Industry Canada. No. T-260

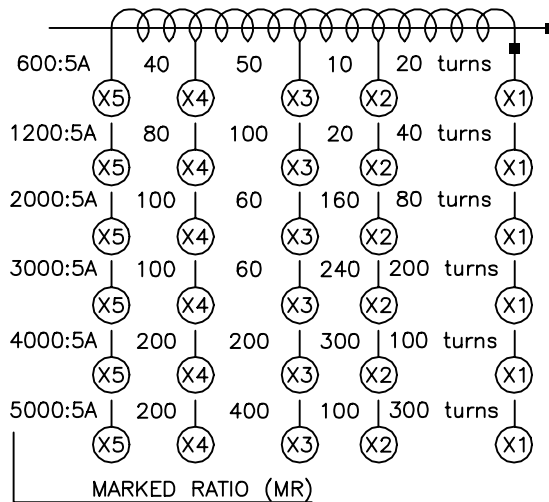
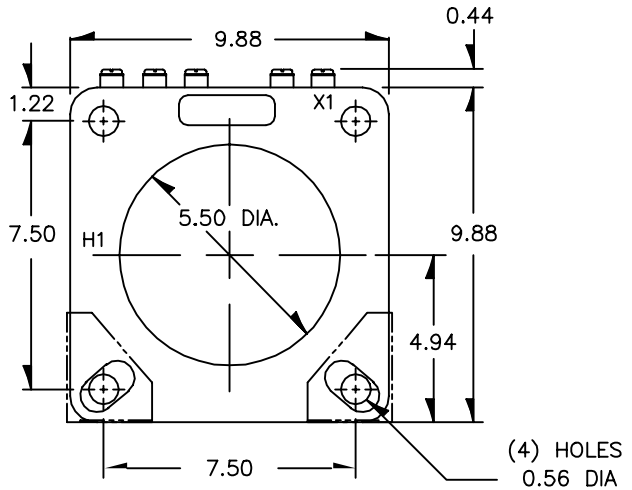
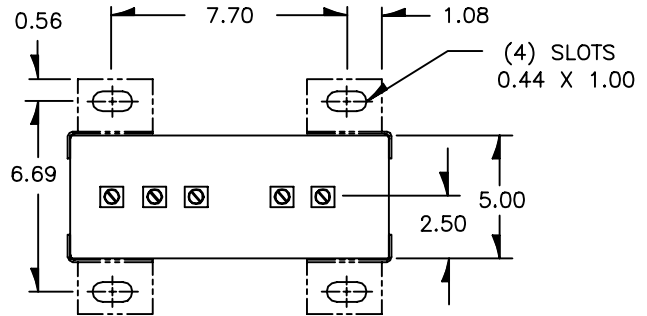
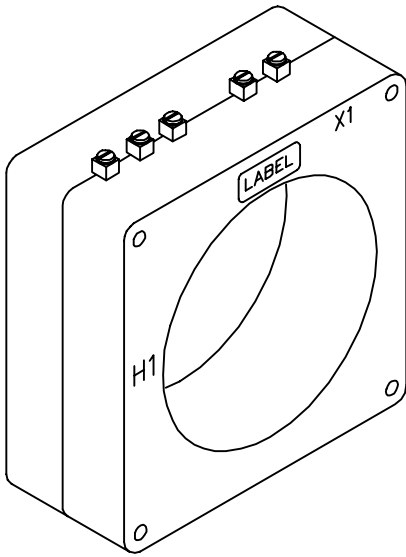
APPLICATION:
Relaying.

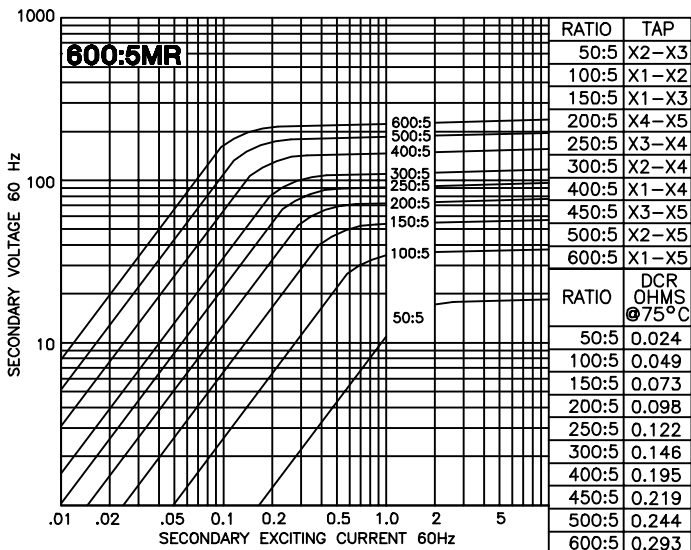
FREQUENCY:
50-400Hz

INSULATION LEVEL:
0.6 kV, BIL 10 kV full wave.

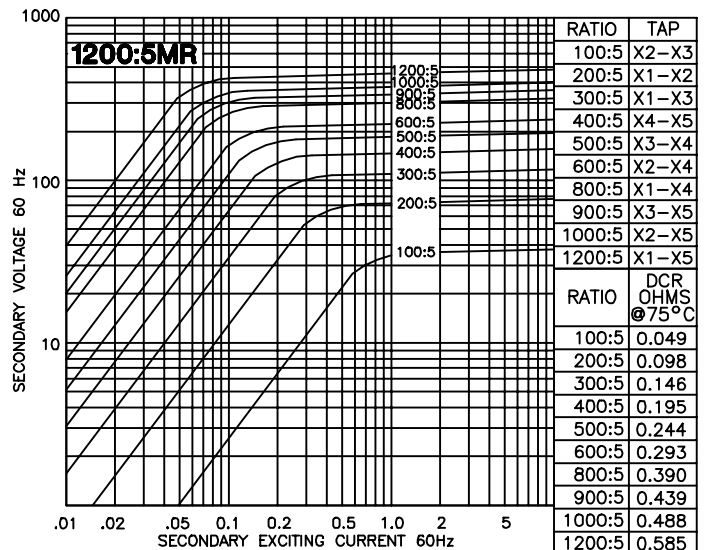
CONTINUOUS THERMAL CURRENT RATING FACTOR:
See TRF at curve.

- Terminals are brass screws No.10-32 with one flatwasher and lockwasher.
- The transformer winding is arranged so that the turns are fully distributed between all taps.
- Order Mounting Bracket Kit No. 0221B01528 separately.
- Approximate weight 50 lbs.

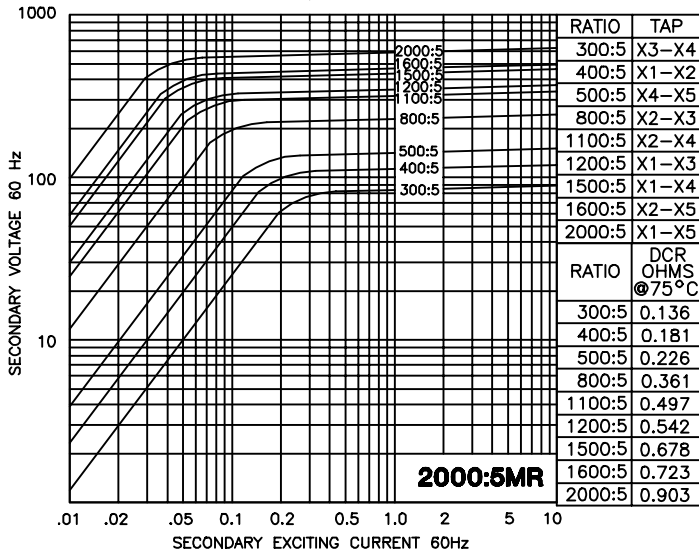




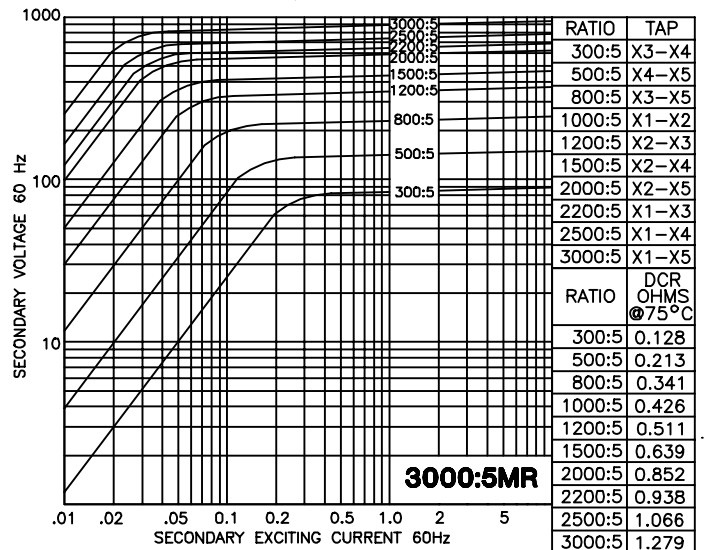
Model 137-601MR - rating C200
TRF= 2.0 @ 30°C, 2.0 @ 55°C amb.



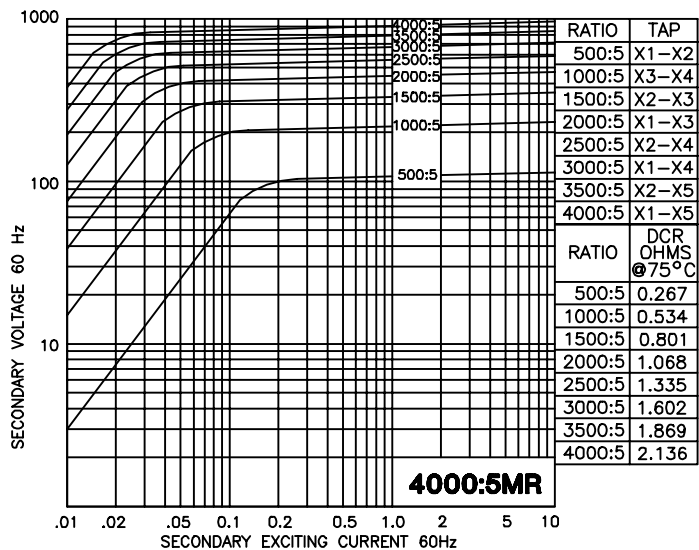
Model 137-122MR - rating C400
TRF= 2.0 @ 30°C, 1.5 @ 55°C amb.



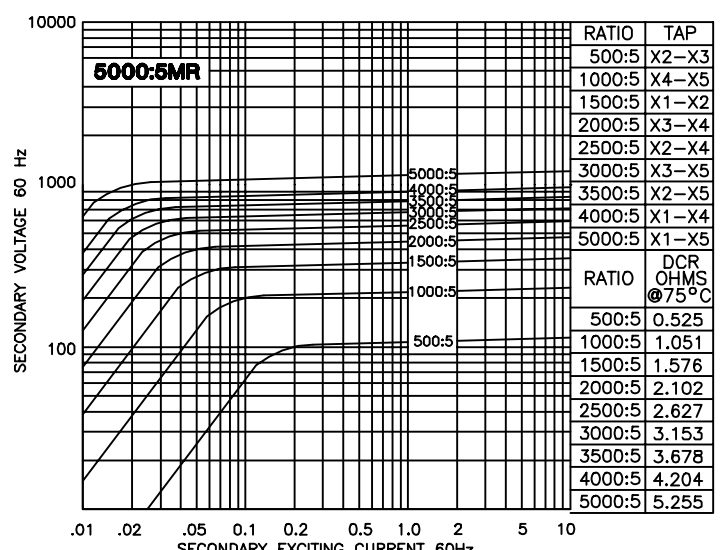
Model 137-202MR - rating C400
TRF= 1.5 @ 30°C, 1.0 @ 55°C amb.



Model 137-302MR - rating C400
TRF= 1.33 @ 30°C, 1.0 @ 55°C amb.



Model 137-402MR - rating C400
TRF= 1.0 @ 30°C, 0.8 @ 55°C amb.



Model 137-502MR - rating C400
TRF= 0.6 @ 30°C, 0.3 @ 55°C amb.

CURRENT TRANSFORMER

Model 139

Window Diameter 6.50"

APPLICATION:
Relaying and metering.

FREQUENCY:
50-400 Hz.

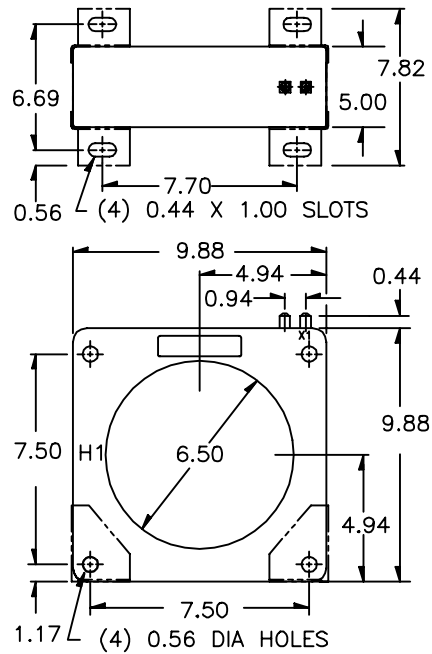
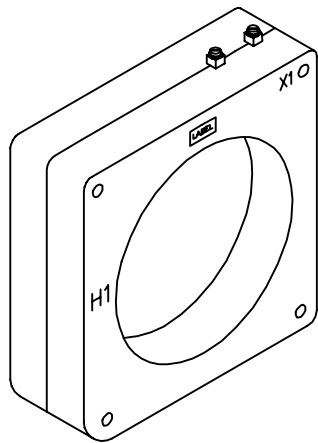
INSULATION LEVEL:
600 Volts, 10 kV BIL full wave.

- Terminals are brass screws No.10-32 with one flatwasher and lockwasher.
- Order mounting bracket kit 0221B01528 separately.
- Multi-ratios available on request.
- Approximate weight 40 lbs.

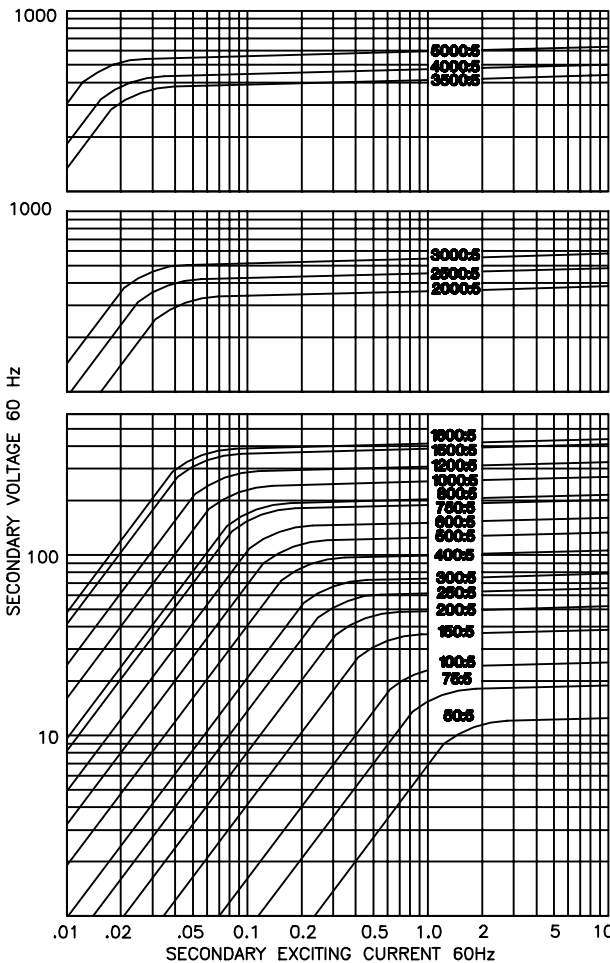
REGULATORY AGENCY APPROVALS



Manufactured to meet the requirements of ANSI/IEEE C57.13.
Classified by U.L. in accordance with IEC 44-1



EXCITATION CURVE



| CATALOG NUMBER | CURRENT RATIO | RELAY CLASS | ANSI METERING CLASS AT 60 Hz | | | | | SECONDARY WINDING RESISTANCE (OHMS @ 75 °C) | CONTINUOUS THERMAL RATING FACTOR | |
|----------------|---------------|-------------|------------------------------|------|------|------|------|---|----------------------------------|-------|
| | | | BO.1 | BO.2 | BO.5 | BO.9 | B1.8 | | @30°C | @55°C |
| 139-500 | 50:5 | C10 | 4.8 | - | - | - | - | 0.018 | 2.0 | 2.0 |
| 139-750 | 75:5 | C10 | 2.4 | 4.8 | - | - | - | 0.027 | 2.0 | 2.0 |
| 139-101 | 100:5 | C20 | 1.2 | 2.4 | 4.8 | 4.8 | - | 0.036 | 2.0 | 2.0 |
| 139-151 | 150:5 | C20 | 0.6 | 1.2 | 2.4 | 2.4 | 4.8 | 0.053 | 2.0 | 2.0 |
| 139-201 | 200:5 | C20 | 0.6 | 0.6 | 1.2 | 2.4 | 2.4 | 0.071 | 2.0 | 2.0 |
| 139-251 | 250:5 | C50 | 0.3 | 0.6 | 1.2 | 1.2 | 2.4 | 0.089 | 2.0 | 2.0 |
| 139-301 | 300:5 | C50 | 0.3 | 0.3 | 0.6 | 1.2 | 1.2 | 0.107 | 2.0 | 2.0 |
| 139-401 | 400:5 | C50 | 0.3 | 0.3 | 0.3 | 0.6 | 1.2 | 0.142 | 2.0 | 2.0 |
| 139-501 | 500:5 | C100 | 0.3 | 0.3 | 0.3 | 0.3 | 0.6 | 0.178 | 2.0 | 2.0 |
| 139-601 | 600:5 | C100 | 0.3 | 0.3 | 0.3 | 0.3 | 0.6 | 0.214 | 2.0 | 2.0 |
| 139-751 | 750:5 | C100 | 0.3 | 0.3 | 0.3 | 0.3 | 0.3 | 0.267 | 2.0 | 2.0 |
| 139-801 | 800:5 | C100 | 0.3 | 0.3 | 0.3 | 0.3 | 0.3 | 0.285 | 2.0 | 2.0 |
| 139-102 | 1000:5 | C200 | 0.3 | 0.3 | 0.3 | 0.3 | 0.3 | 0.563 | 1.5 | 1.5 |
| 139-122 | 1200:5 | C200 | 0.3 | 0.3 | 0.3 | 0.3 | 0.3 | 0.676 | 1.5 | 1.33 |
| 139-152 | 1500:5 | C200 | 0.3 | 0.3 | 0.3 | 0.3 | 0.3 | 0.845 | 1.5 | 1.0 |
| 139-162 | 1600:5 | C200 | 0.3 | 0.3 | 0.3 | 0.3 | 0.3 | 0.901 | 1.5 | 1.0 |
| 139-202 | 2000:5 | C200 | 0.3 | 0.3 | 0.3 | 0.3 | 0.3 | 0.823 | 1.5 | 1.0 |
| 139-252 | 2500:5 | C200 | 0.3 | 0.3 | 0.3 | 0.3 | 0.3 | 1.029 | 1.5 | 1.0 |
| 139-302 | 3000:5 | C400 | 0.3 | 0.3 | 0.3 | 0.3 | 0.3 | 1.235 | 1.33 | 1.0 |
| 139-352 | 3500:5 | C200 | 0.3 | 0.3 | 0.3 | 0.3 | 0.3 | 1.352 | 1.0 | 1.0 |
| 139-402 | 4000:5 | C200 | 0.3 | 0.3 | 0.3 | 0.3 | 0.3 | 1.545 | 1.0 | 0.8 |
| 139-502 | 5000:5 | C400 | 0.3 | 0.3 | 0.3 | 0.3 | 0.3 | 3.025 | 1.0 | 0.8 |

CURRENT TRANSFORMER

Model 139MR

Window Diameter 6.50"

REGULATORY AGENCY APPROVALS



Manufactured to meet the requirements of ANSI/IEEE C57.13.
Classified by U.L. in accordance with IEC 44-1

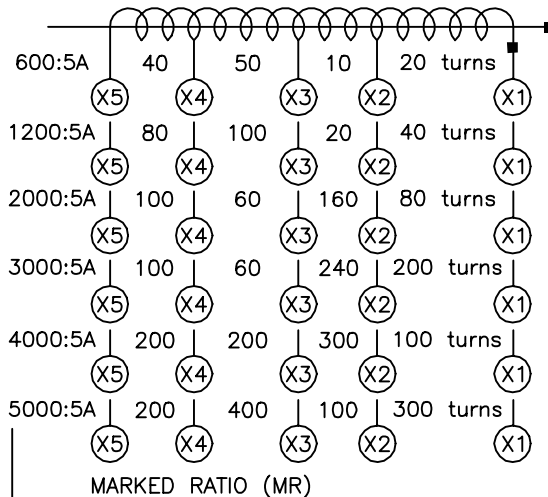
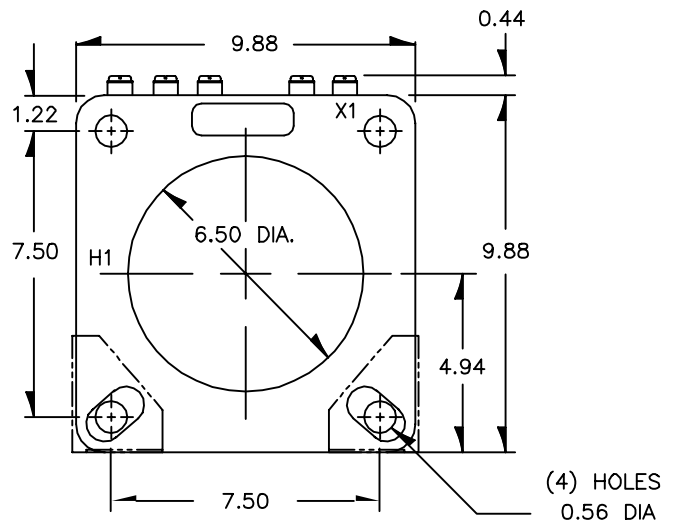
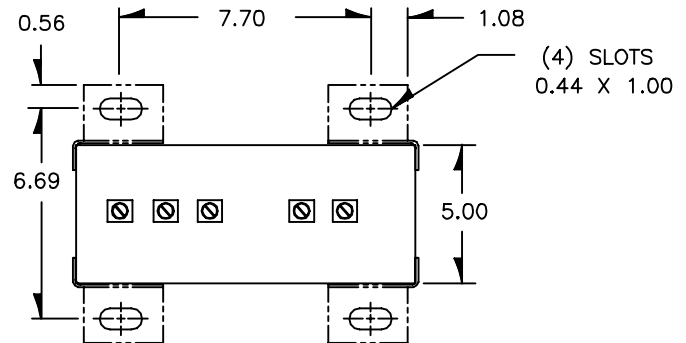
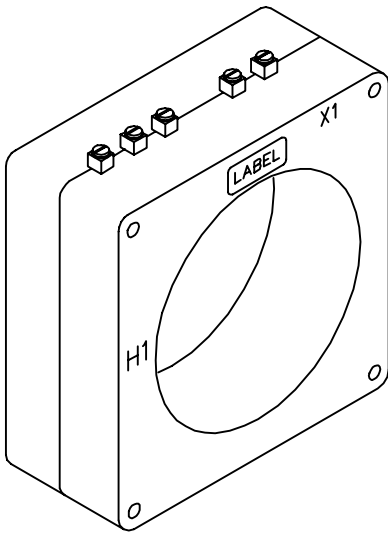
APPLICATION:
Relaying.

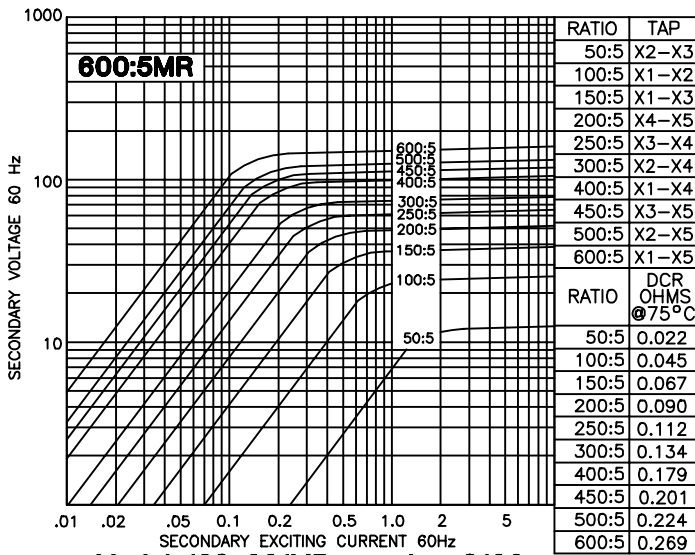
FREQUENCY:
50-400Hz

INSULATION LEVEL:
0.6 kV, BIL 10 kV full wave.

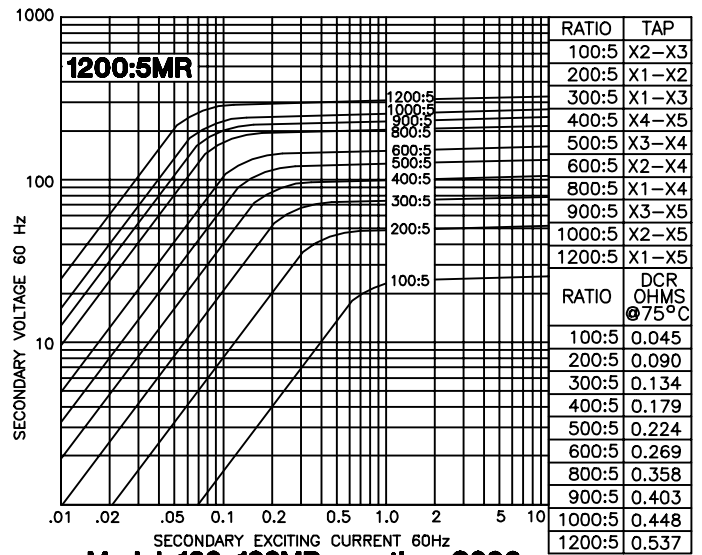
CONTINUOUS THERMAL CURRENT RATING FACTOR:
See TRF at curves.

- Terminals are brass screws No.10-32 with one flatwasher and lockwasher.
- The transformer winding is arranged so that the turns are fully distributed between all taps.
- Order Mounting Bracket Kit No. 0221B01528 separately.
- Approximate weight 40 lbs.

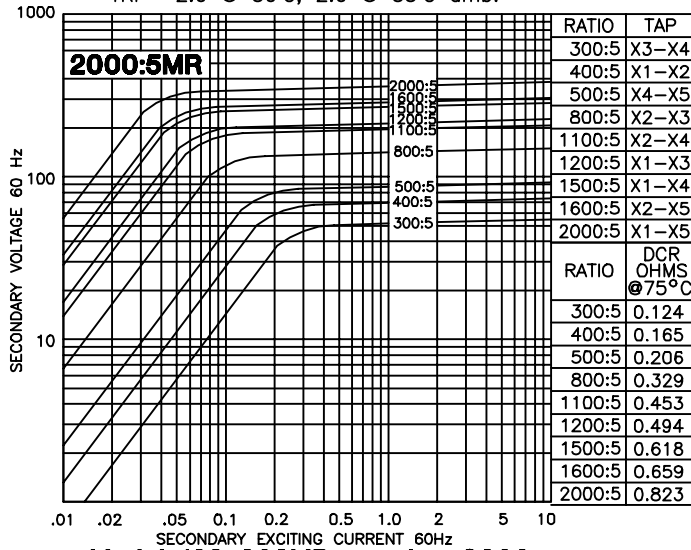




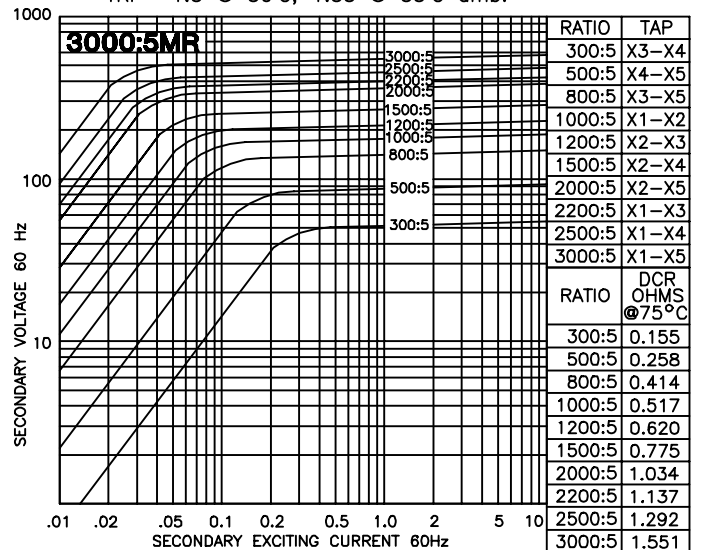
Model 139-601MR - rating C100
TRF= 2.0 @ 30°C, 2.0 @ 55°C amb.



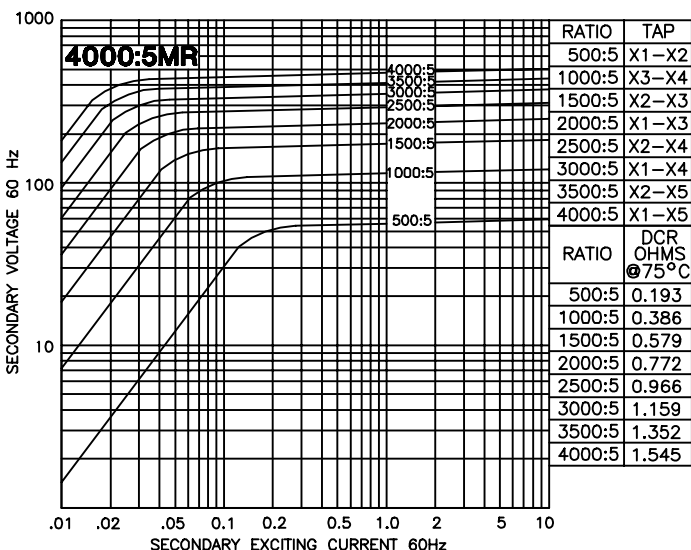
Model 139-122MR - rating C200
TRF= 1.5 @ 30°C, 1.33 @ 55°C amb.



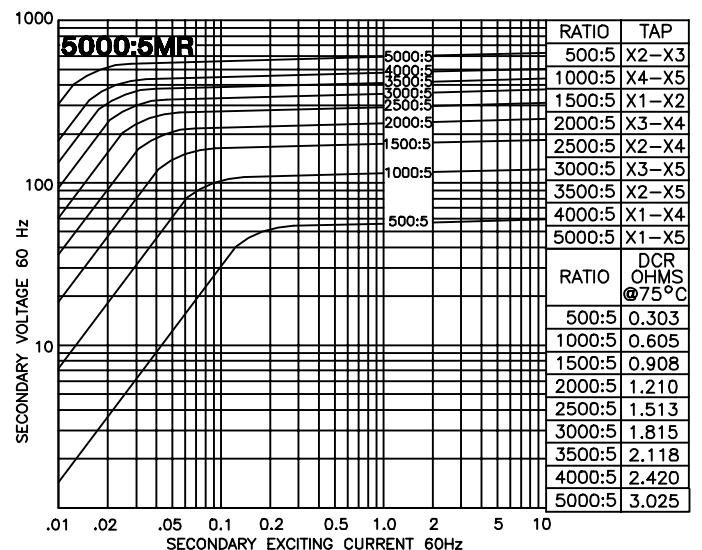
Model 139-202MR - rating C200
TRF= 1.5 @ 30°C, 1.33 @ 55°C amb.



Model 139-302MR - rating C400
TRF= 1.33 @ 30°C, 1.0 @ 55°C amb.



Model 139-402MR - rating C200
TRF= 1.0 @ 30°C, 0.8 @ 55°C amb.



Model 139-502MR - rating C400
TRF= 1.0 @ 30°C, 0.8 @ 55°C amb.

CURRENT TRANSFORMER

Model 140

Window Diameter 8.13"

APPLICATION:
Relaying and metering.

FREQUENCY:
50-400 Hz.

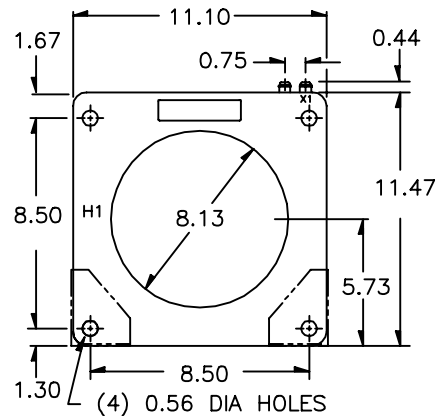
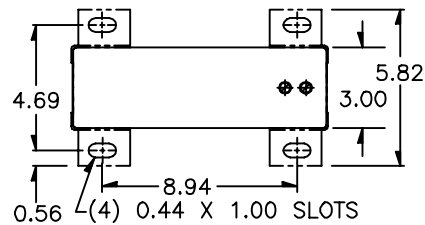
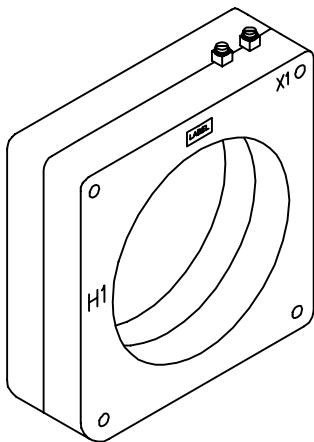
INSULATION LEVEL:
600 Volts, 10 kV BIL full wave.

REGULATORY AGENCY APPROVALS

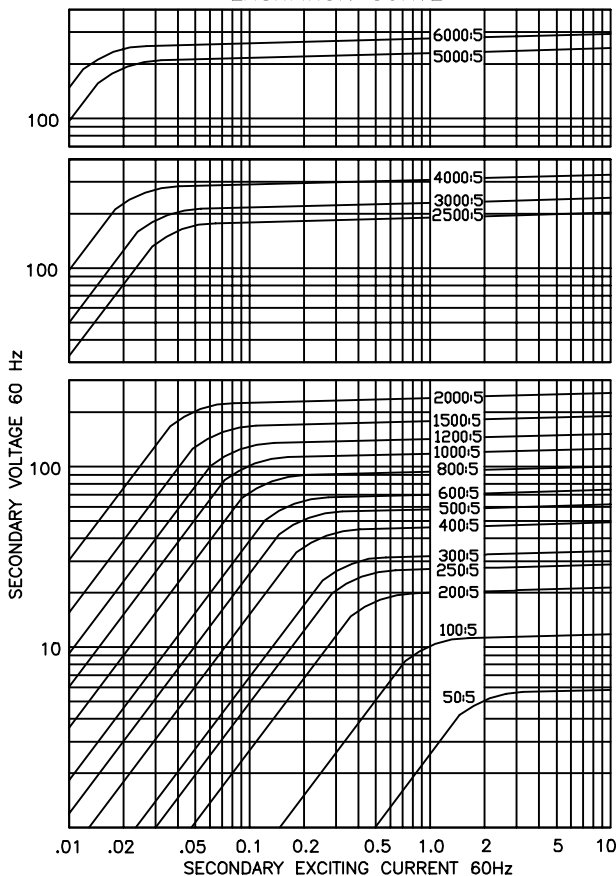


Manufactured to meet the requirements of ANSI/IEEE C57.13.
Classified by U.L. in accordance with IEC 44-1
Approved for revenue metering by Industry Canada. No. AE-0658(*)

- Terminals are brass screws No. 10-32 UNF with one flatwasher and lockwasher.
- Order mounting bracket kit 0221B00259 separately.
- Multi-ratios available on request.
- Approximate weight 22 lbs.



EXCITATION CURVE



| CATALOG NUMBER | CURRENT RATIO | RELAY CLASS | ANSI METERING CLASS AT 60 Hz | | | | | SECONDARY WINDING RESISTANCE (OHMS @ 75 °C) | CONTINUOUS THERMAL RATING FACTOR | |
|----------------|---------------|-------------|------------------------------|------|------|------|------|---|----------------------------------|-------|
| | | | B0.1 | B0.2 | B0.5 | B0.9 | B1.8 | | @30°C | @55°C |
| 140-500 | 50:5 | - | - | - | - | - | - | 0.022 | 2.0 | 2.0 |
| 140-101 | 100:5 | - | 2.4 | 4.8 | - | - | - | 0.043 | 2.0 | 2.0 |
| 140-201 | 200:5 | C10 | 1.2 | 1.2 | 2.4 | 4.8 | - | 0.088 | 2.0 | 2.0 |
| 140-251 | 250:5 | C20 | 1.2 | 1.2 | 2.4 | 2.4 | 4.8 | 0.110 | 2.0 | 2.0 |
| 140-301 | 300:5 | C20 | 0.6 | 1.2 | 1.2 | 2.4 | 2.4 | 0.131 | 2.0 | 2.0 |
| 140-401 | 400:5 * | C20 | 0.3 | 0.3 | 0.6 | 1.2 | 2.4 | 0.150 | 2.0 | 2.0 |
| 140-501 | 500:5 * | C20 | 0.3 | 0.3 | 0.6 | 1.2 | 1.2 | 0.216 | 2.0 | 2.0 |
| 140-601 | 600:5 * | C50 | 0.3 | 0.3 | 0.3 | 0.6 | 1.2 | 0.276 | 2.0 | 2.0 |
| 140-801 | 800:5 * | C50 | 0.3 | 0.3 | 0.3 | 0.3 | 0.6 | 0.351 | 2.0 | 2.0 |
| 140-102 | 1000:5 * | C50 | 0.3 | 0.3 | 0.3 | 0.3 | 0.6 | 0.432 | 2.0 | 1.5 |
| 140-122 | 1200:5 * | C100 | 0.3 | 0.3 | 0.3 | 0.3 | 0.3 | 0.529 | 1.5 | 1.5 |
| 140-152 | 1500:5 * | C100 | 0.3 | 0.3 | 0.3 | 0.3 | 0.3 | 0.657 | 1.5 | 1.0 |
| 140-202 | 2000:5 * | C100 | 0.3 | 0.3 | 0.3 | 0.3 | 0.3 | 0.865 | 1.33 | 1.0 |
| 140-252 | 2500:5 * | C100 | 0.3 | 0.3 | 0.3 | 0.3 | 0.3 | 1.009 | 1.33 | 1.0 |
| 140-302 | 3000:5 * | C100 | 0.3 | 0.3 | 0.3 | 0.3 | 0.3 | 1.211 | 1.0 | 0.8 |
| 140-402 | 4000:5 * | C200 | 0.3 | 0.3 | 0.3 | 0.3 | 0.3 | 1.614 | 1.0 | 0.8 |
| 140-502 | 5000:5 * | C50 | 0.3 | 0.3 | 0.3 | 0.3 | 0.3 | 1.836 | 1.0 | 0.8 |
| 140-602 | 6000:5 * | C100 | 0.3 | 0.3 | 0.3 | 0.3 | 0.3 | 2.203 | 1.0 | 0.6 |

CURRENT TRANSFORMER

Model 140MR

Window Diameter 8.13"

REGULATORY AGENCY APPROVALS



Manufactured to meet the requirements of ANSI/IEEE C57.13.
Classified by U.L. in accordance with IEC 44-1

Approved for revenue metering by Industry Canada. No. AE-0658

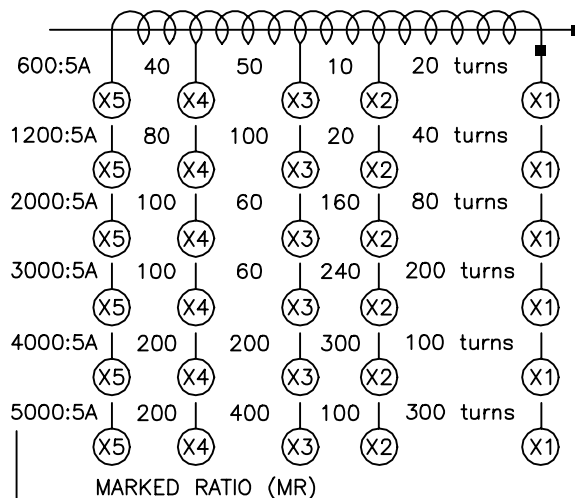
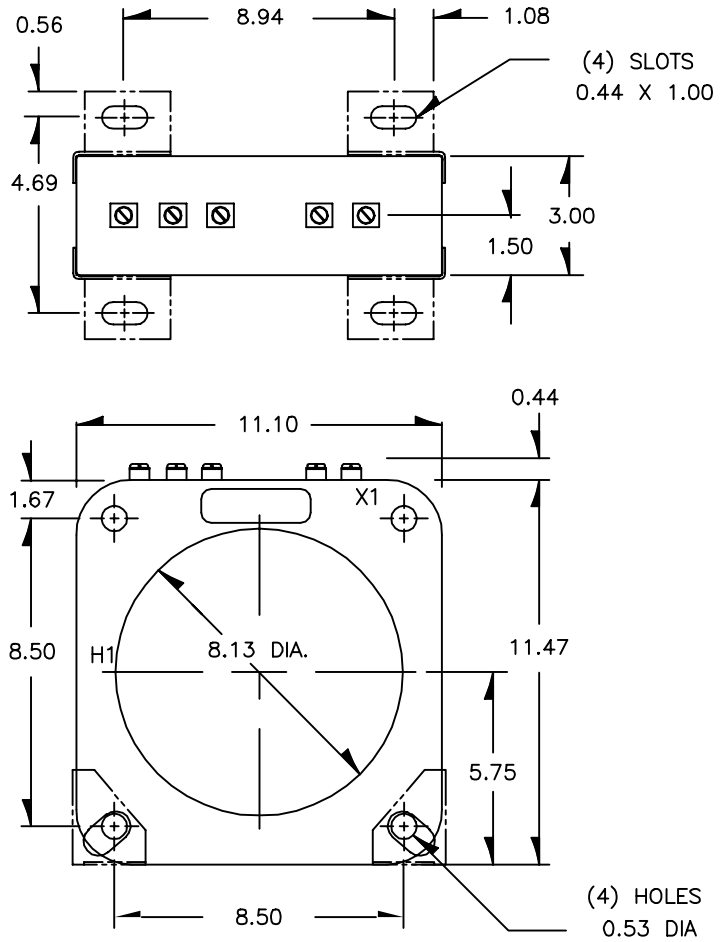
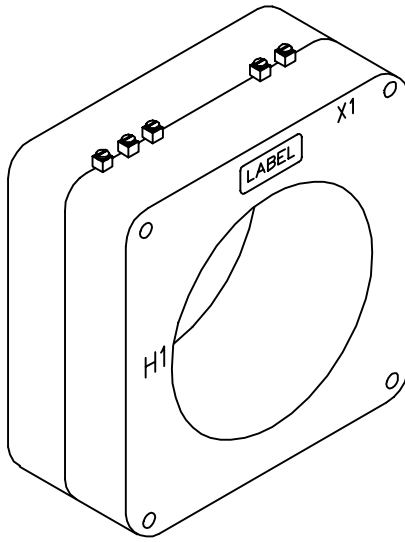
APPLICATION:
Relaying.

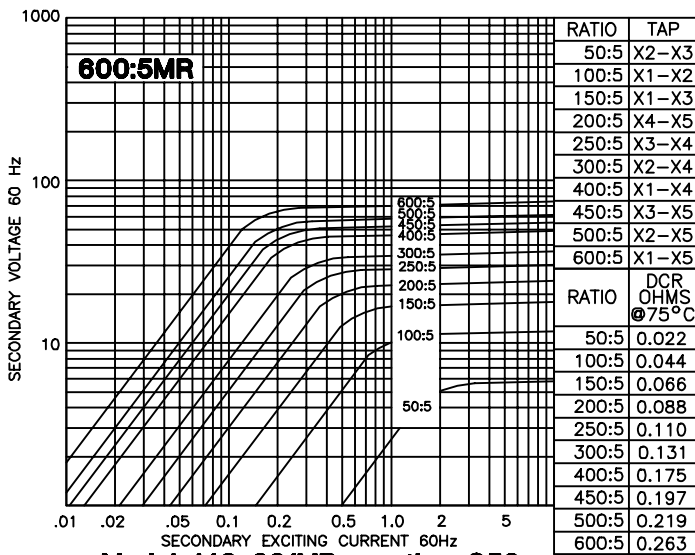
FREQUENCY:
50-400Hz

INSULATION LEVEL:
0.6 kV, BIL 10 kV full wave.

CONTINUOUS THERMAL CURRENT RATING FACTOR:
See TRF at curves.

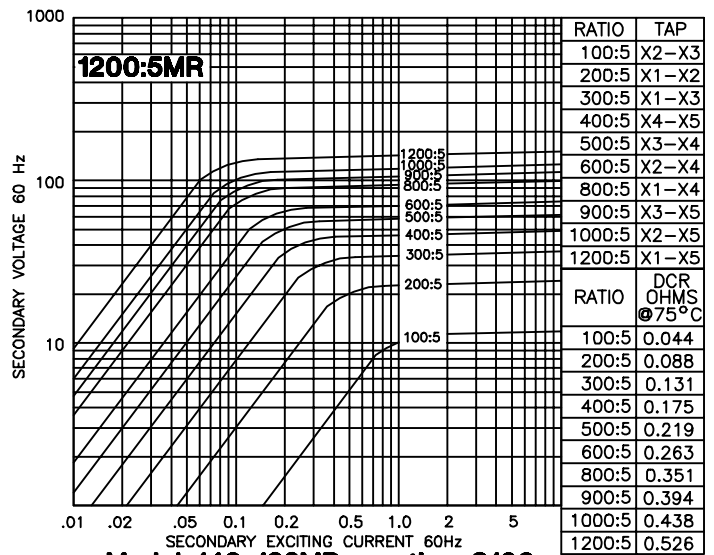
- Terminals are brass screws No.10-32 with one flatwasher and lockwasher.
- The transformer winding is arranged so that the turns are fully distributed between all taps.
- Order Mounting Bracket Kit No. 0221B00259 separately.
- Approximate weight 23 lbs.





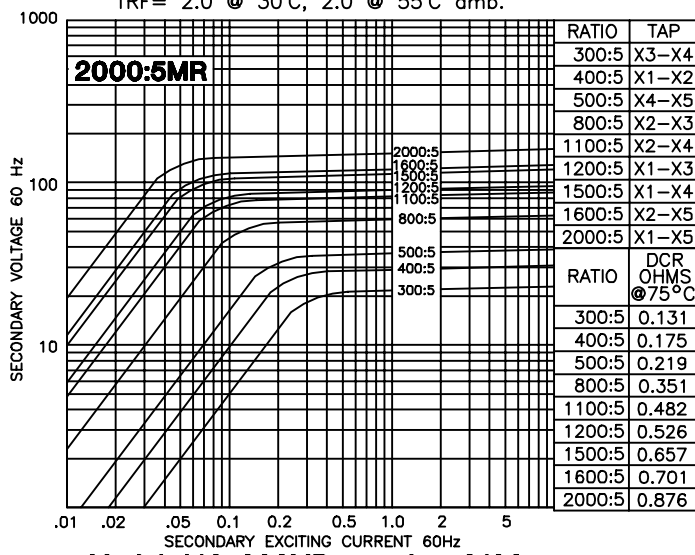
Model 140-60MR - rating C50

TRF= 2.0 @ 30°C, 2.0 @ 55°C amb.



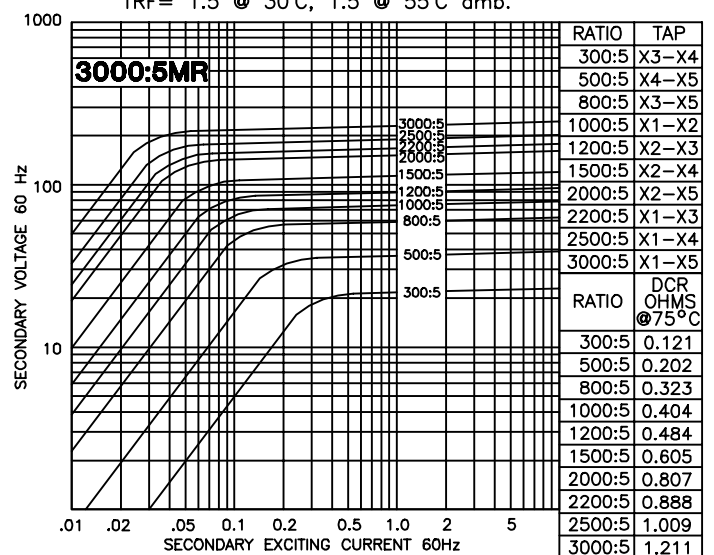
Model 140-122MR - rating C100

TRF= 1.5 @ 30°C, 1.5 @ 55°C amb.



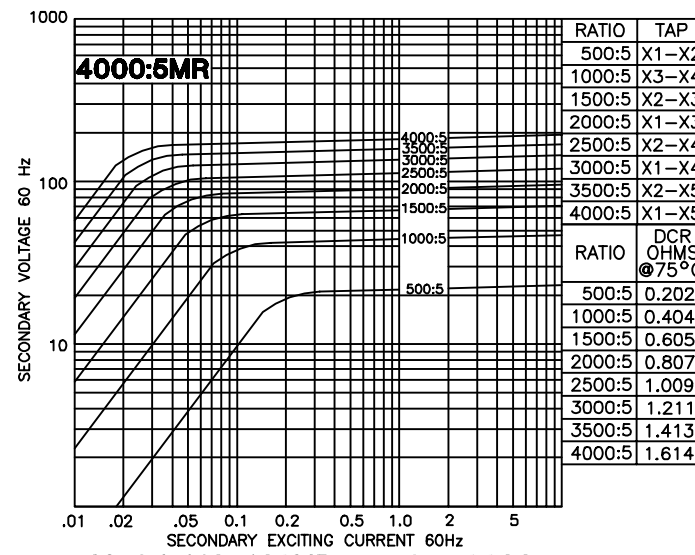
Model 140-202MR - rating C100

TRF= 1.33 @ 30°C, 1.0 @ 55°C amb.



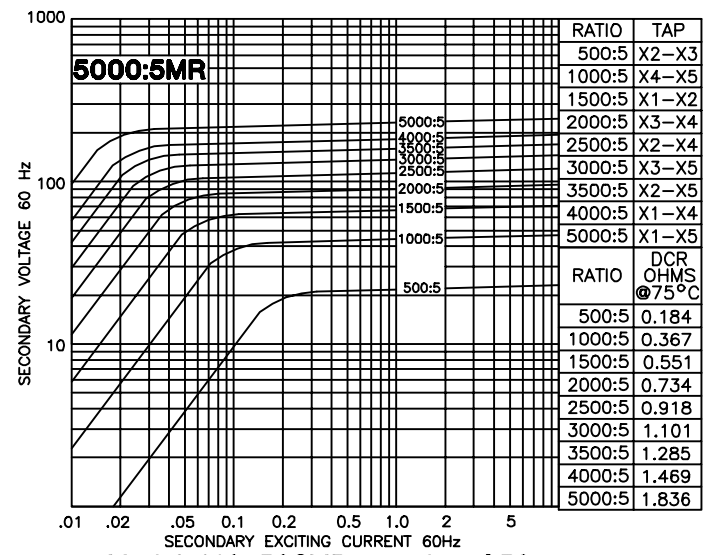
Model 140-302MR - rating C100

TRF= 1.0 @ 30°C, 0.8 @ 55°C amb.



Model 140-402MR - rating C200

TRF= 1.0 @ 30°C, 0.8 @ 55°C amb.



Model 140-502MR - rating C50

TRF= 1.0 @ 30°C, 0.8 @ 55°C amb.

CURRENT TRANSFORMER

Model 141

Window Diameter 8.13"

APPLICATION:
Relaying and metering.

FREQUENCY:
50-400 Hz.

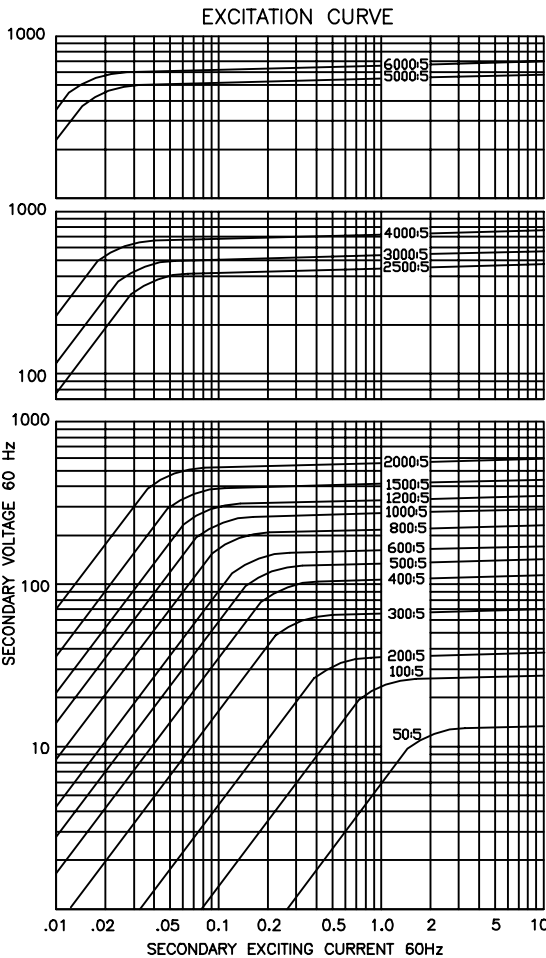
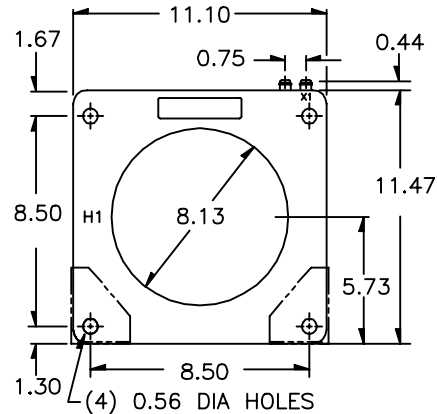
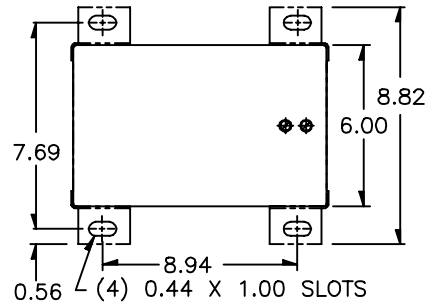
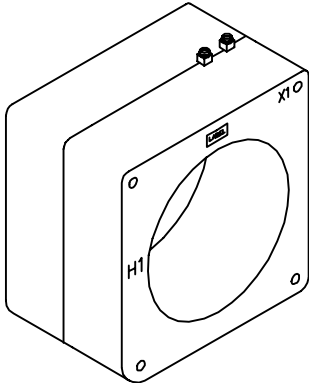
INSULATION LEVEL:
600 Volts, 10 kV BIL full wave.

REGULATORY AGENCY APPROVALS

- Terminals are brass screws No. 10-32 UNF with one flatwasher and lockwasher.
- Order mounting bracket kit 0221B00775 separately.
- Multi-ratios available on request.
- Approximate weight 44 Lbs.



Manufactured to meet the requirements of ANSI/IEEE C57.13.
Classified by U.L. in accordance with IEC 44-1
Approved for revenue metering by Industry Canada. No. AE-0658(+)



| CATALOG NUMBER | CURRENT RATIO | RELAY CLASS | ANSI METERING CLASS AT 60 Hz | | | | | SECONDARY WINDING RESISTANCE (OHMS @ 75 °C) | CONTINUOUS THERMAL RATING FACTOR | |
|----------------|---------------|-------------|------------------------------|------|------|------|------|---|----------------------------------|-------|
| | | | B0.1 | B0.2 | B0.5 | B0.9 | B1.8 | | @30°C | @55°C |
| 141-500 | 50:5 | C10 | 4.8 | - | - | - | - | 0.033 | 2.0 | 2.0 |
| 141-101 | 100:5 | C10 | 2.4 | 2.4 | - | - | - | 0.066 | 2.0 | 2.0 |
| 141-201 | 200:5 | C20 | 0.6 | 1.2 | 1.2 | 2.4 | 4.8 | 0.117 | 2.0 | 2.0 |
| 141-301 | 300:5 | C50 | 0.6 | 0.6 | 1.2 | 1.2 | 2.4 | 0.248 | 2.0 | 2.0 |
| 141-401 | 400:5 * | C50 | 0.3 | 0.3 | 0.6 | 0.6 | 1.2 | 0.277 | 2.0 | 2.0 |
| 141-501 | 500:5 * | C100 | 0.3 | 0.3 | 0.3 | 0.6 | 0.6 | 0.415 | 2.0 | 2.0 |
| 141-601 | 600:5 * | C100 | 0.3 | 0.3 | 0.3 | 0.3 | 0.6 | 0.498 | 2.0 | 1.5 |
| 141-801 | 800:5 * | C100 | 0.3 | 0.3 | 0.3 | 0.3 | 0.3 | 0.664 | 2.0 | 1.5 |
| 141-102 | 1000:5 * | C200 | 0.3 | 0.3 | 0.3 | 0.3 | 0.3 | 0.829 | 2.0 | 1.5 |
| 141-122 | 1200:5 * | C200 | 0.3 | 0.3 | 0.3 | 0.3 | 0.3 | 1.002 | 2.0 | 1.5 |
| 141-152 | 1500:5 * | C400 | 0.3 | 0.3 | 0.3 | 0.3 | 0.3 | 1.253 | 2.0 | 1.5 |
| 141-202 | 2000:5 * | C400 | 0.3 | 0.3 | 0.3 | 0.3 | 0.3 | 1.659 | 1.33 | 1.0 |
| 141-252 | 2500:5 * | C400 | 0.3 | 0.3 | 0.3 | 0.3 | 0.3 | 1.963 | 1.5 | 1.33 |
| 141-302 | 3000:5 * | C400 | 0.3 | 0.3 | 0.3 | 0.3 | 0.3 | 2.356 | 1.5 | 1.0 |
| 141-402 | 4000:5 * | C400 | 0.3 | 0.3 | 0.3 | 0.3 | 0.3 | 3.141 | 1.0 | 0.8 |
| 141-502 | 5000:5 * | C200 | 0.3 | 0.3 | 0.3 | 0.3 | 0.3 | 2.862 | 1.0 | 0.8 |
| 141-602 | 6000:5 * | C400 | 0.3 | 0.3 | 0.3 | 0.3 | 0.3 | 4.302 | 1.0 | 0.6 |

CURRENT TRANSFORMER

Model 141MR

Window Diameter 8.13"

REGULATORY AGENCY APPROVALS



Manufactured to meet the requirements of ANSI/IEEE C57.13.
Classified by U.L. in accordance with IEC 44-1

Approved for revenue metering by Industry Canada. No. AE-0658

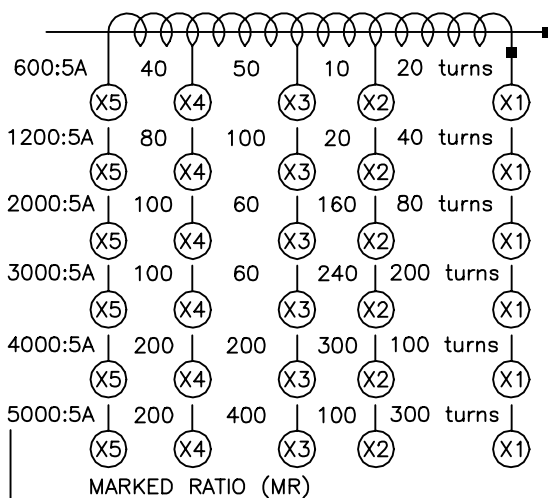
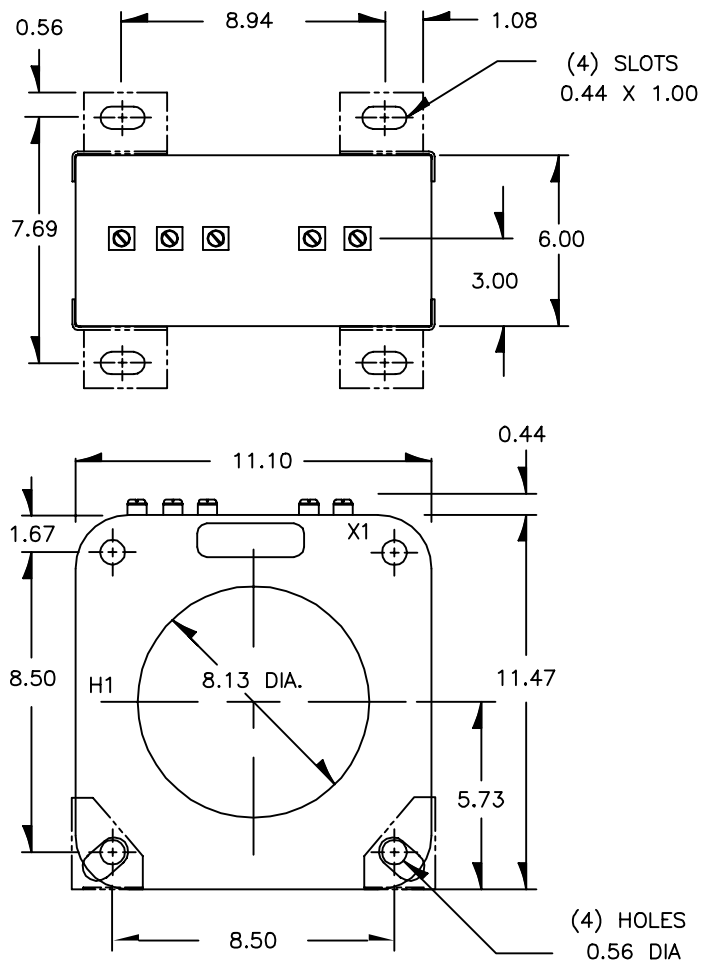
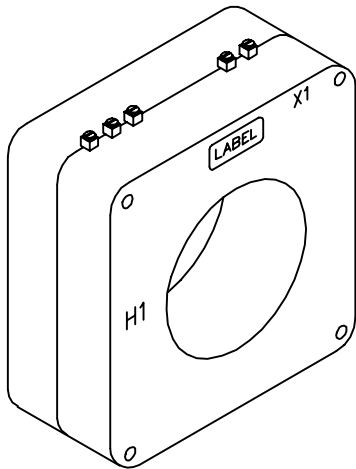
APPLICATION:
Relaying.

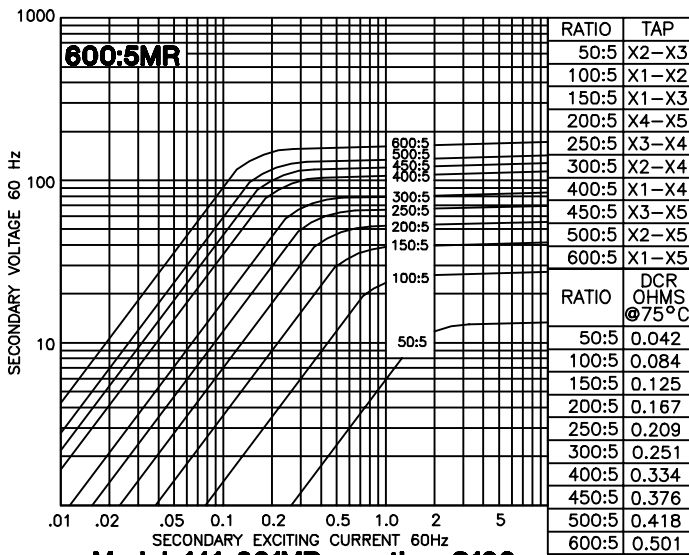
FREQUENCY:
50-400Hz

INSULATION LEVEL:
0.6 kV, BIL 10 kV full wave.

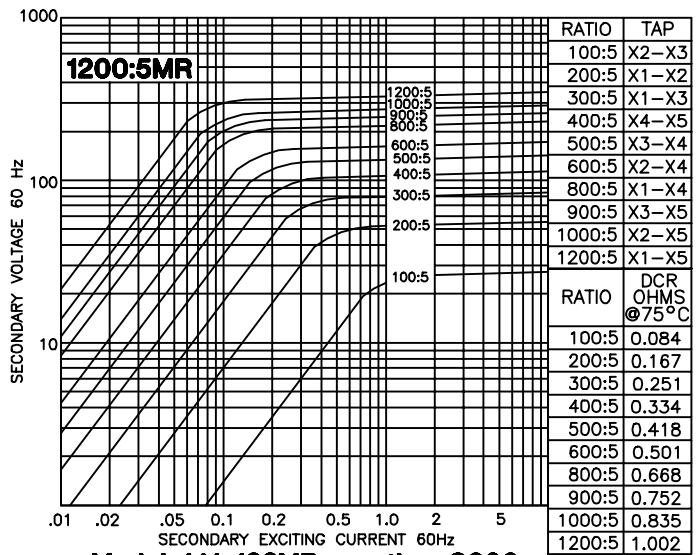
CONTINUOUS THERMAL CURRENT RATING FACTOR:
See TRF at curves.

- Terminals are brass screws No.10-32 with one flatwasher and lockwasher.
- The transformer winding is arranged so that the turns are fully distributed between all taps.
- Order Mounting Bracket Kit No. 0221B00775 separately.
- Approximate weight 45 lbs.

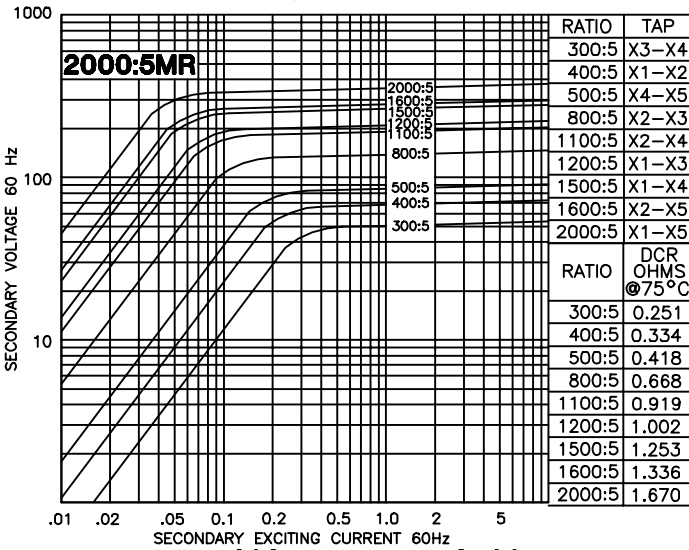




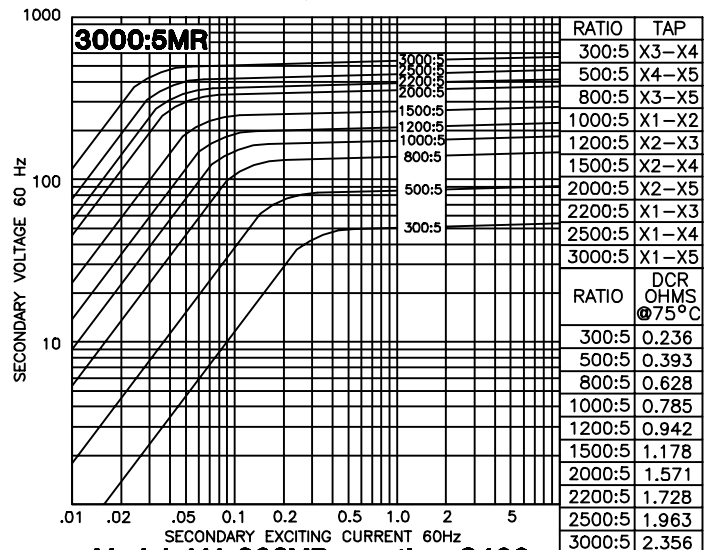
Model 141-601MR - rating C100
TRF= 2.0 @ 30°C, 1.5 @ 55°C amb.



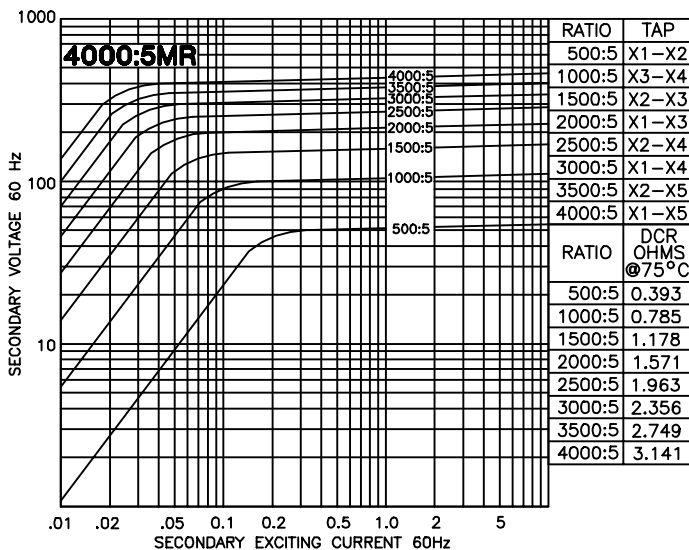
Model 141-122MR - rating C200
TRF= 2.0 @ 30°C, 1.5 @ 55°C amb.



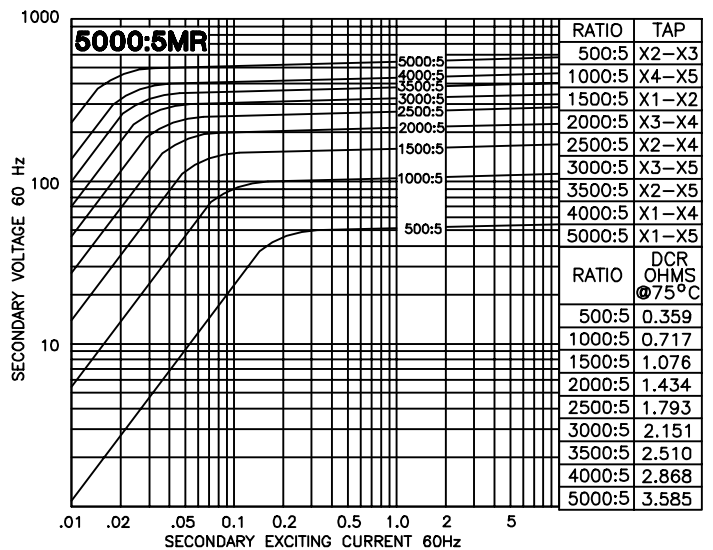
Model 141-202MR - rating C400
TRF= 1.33 @ 30°C, 1.0 @ 55°C amb.



Model 141-302MR - rating C400
TRF= 1.5 @ 30°C, 1.33 @ 55°C amb.



Model 141-402MR - rating C400
TRF= 1.0 @ 30°C, 0.8 @ 55°C amb.



Model 141-502MR - rating C200
TRF= 1.0 @ 30°C, 0.8 @ 55°C amb.

CURRENT TRANSFORMER

Model 142

Window Diameter 7.25"

APPLICATION:
Relaying and metering.

FREQUENCY:
50-400 Hz.

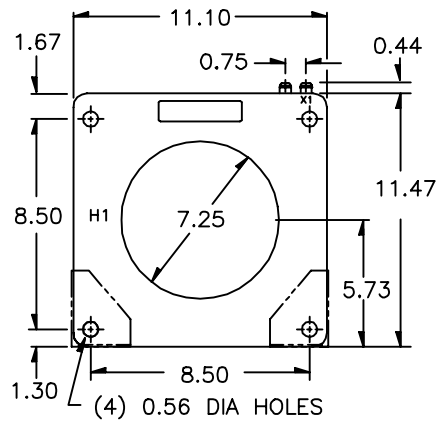
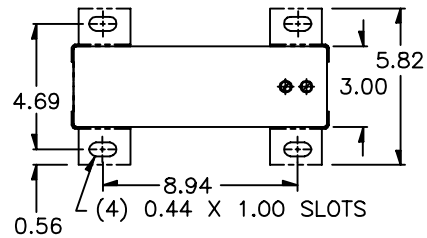
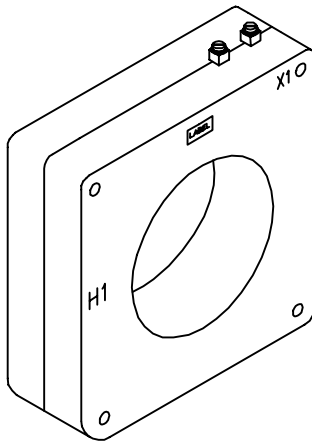
INSULATION LEVEL:
600 Volts, 10 kV BIL full wave.

REGULATORY AGENCY APPROVALS

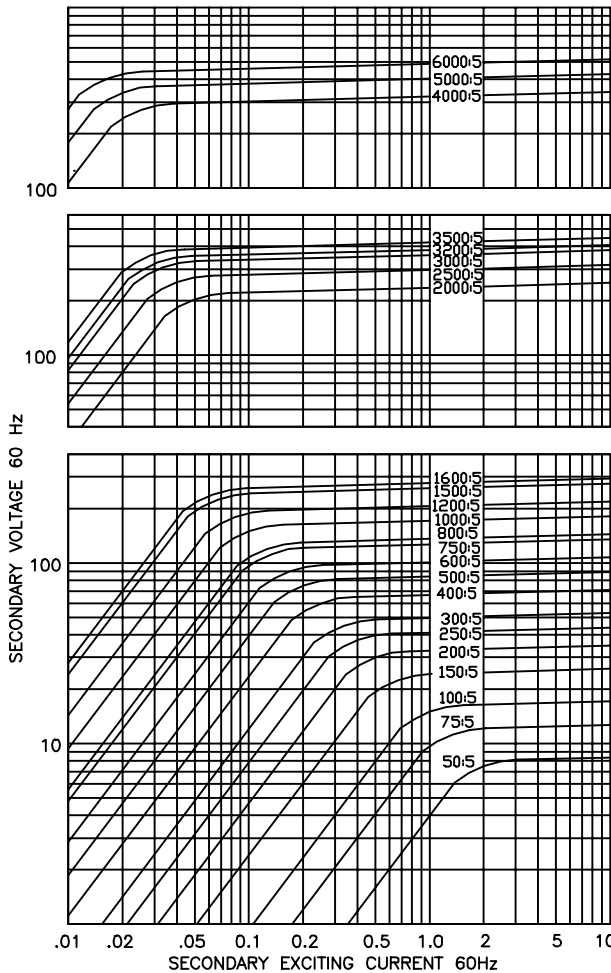


Manufactured to meet the requirements of ANSI/IEEE C57.13.
Classified by U.L. in accordance with IEC 44-1
Approved for revenue metering by Industry Canada. No. AE-0650(+)

- Terminals are brass screws No. 10-32 UNF with one flatwasher and lockwasher.
- Order mounting bracket kit 0221B00259 separately.
- Multi-ratios available on request.
- Approximate weight 31 lbs.



EXCITATION CURVE



| CATALOG NUMBER | CURRENT RATIO | RELAY CLASS | ANSI METERING CLASS AT 60 Hz | | | | | SECONDARY WINDING RESISTANCE (OHMS @ 75 °C) | CONTINUOUS THERMAL RATING FACTOR | |
|----------------|---------------|-------------|------------------------------|------|------|------|------|---|----------------------------------|-------|
| | | | B0.1 | B0.2 | B0.5 | B0.9 | B1.8 | | @30°C | @55°C |
| 142-500 | 50:5 | - | - | - | - | - | - | 0.031 | 2.0 | 2.0 |
| 142-750 | 75:5 | - | 2.4 | 4.8 | - | - | - | 0.035 | 2.0 | 2.0 |
| 142-101 | 100:5 | C10 | 1.2 | 2.4 | 4.8 | - | - | 0.051 | 2.0 | 2.0 |
| 142-151 | 150:5 | C10 | 1.2 | 1.2 | 2.4 | 4.8 | - | 0.070 | 2.0 | 2.0 |
| 142-201 | 200:5 * | C20 | 0.6 | 0.6 | 1.2 | 2.4 | 4.8 | 0.102 | 2.0 | 2.0 |
| 142-251 | 250:5 * | C20 | 0.6 | 0.6 | 1.2 | 1.2 | 2.4 | 0.127 | 2.0 | 2.0 |
| 142-301 | 300:5 * | C30 | 0.3 | 0.3 | 0.6 | 1.2 | 2.4 | 0.153 | 2.0 | 2.0 |
| 142-401 | 400:5 * | C50 | 0.3 | 0.3 | 0.3 | 0.6 | 1.2 | 0.196 | 2.0 | 2.0 |
| 142-501 | 500:5 * | C50 | 0.3 | 0.3 | 0.3 | 0.6 | 0.6 | 0.252 | 2.0 | 2.0 |
| 142-601 | 600:5 * | C50 | 0.3 | 0.3 | 0.3 | 0.3 | 0.6 | 0.255 | 2.0 | 2.0 |
| 142-751 | 750:5 * | C100 | 0.3 | 0.3 | 0.3 | 0.3 | 0.3 | 0.304 | 2.0 | 1.5 |
| 142-801 | 800:5 * | C100 | 0.3 | 0.3 | 0.3 | 0.3 | 0.3 | 0.336 | 2.0 | 1.5 |
| 142-102 | 1000:5 * | C100 | 0.3 | 0.3 | 0.3 | 0.3 | 0.3 | 0.486 | 2.0 | 1.5 |
| 142-122 | 1200:5 * | C100 | 0.3 | 0.3 | 0.3 | 0.3 | 0.3 | 0.735 | 1.5 | 1.0 |
| 142-152 | 1500:5 * | C200 | 0.3 | 0.3 | 0.3 | 0.3 | 0.3 | 0.918 | 1.5 | 1.0 |
| 142-162 | 1600:5 * | C200 | 0.3 | 0.3 | 0.3 | 0.3 | 0.3 | 0.979 | 1.33 | 1.0 |
| 142-202 | 2000:5 * | C200 | 0.3 | 0.3 | 0.3 | 0.3 | 0.3 | 0.544 | 2.0 | 1.5 |
| 142-252 | 2500:5 * | C200 | 0.3 | 0.3 | 0.3 | 0.3 | 0.3 | 1.066 | 1.5 | 1.0 |
| 142-302 | 3000:5 * | C200 | 0.3 | 0.3 | 0.3 | 0.3 | 0.3 | 1.280 | 1.0 | 0.8 |
| 142-322 | 3200:5 * | C200 | 0.3 | 0.3 | 0.3 | 0.3 | 0.3 | 1.365 | 1.0 | 0.8 |
| 142-352 | 3500:5 * | C200 | 0.3 | 0.3 | 0.3 | 0.3 | 0.3 | 1.493 | 1.0 | 0.8 |
| 142-402 | 4000:5 * | C200 | 0.3 | 0.3 | 0.3 | 0.3 | 0.3 | 1.452 | 1.0 | 0.8 |
| 142-502 | 5000:5 * | C200 | 0.3 | 0.3 | 0.3 | 0.3 | 0.3 | 1.915 | 1.0 | 0.8 |
| 142-602 | 6000:5 * | C200 | 0.3 | 0.3 | 0.3 | 0.3 | 0.3 | 2.298 | 1.0 | 0.6 |

CURRENT TRANSFORMER

Model 142MR

Window Diameter 7.25"

REGULATORY AGENCY APPROVALS



Manufactured to meet the requirements of ANSI/IEEE C57.13.

Classified by U.L. in accordance with IEC 44-1

Approved for revenue metering by Industry Canada. No. AE-0650

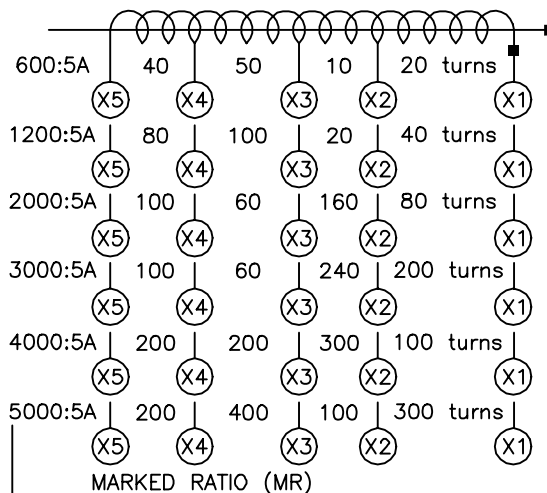
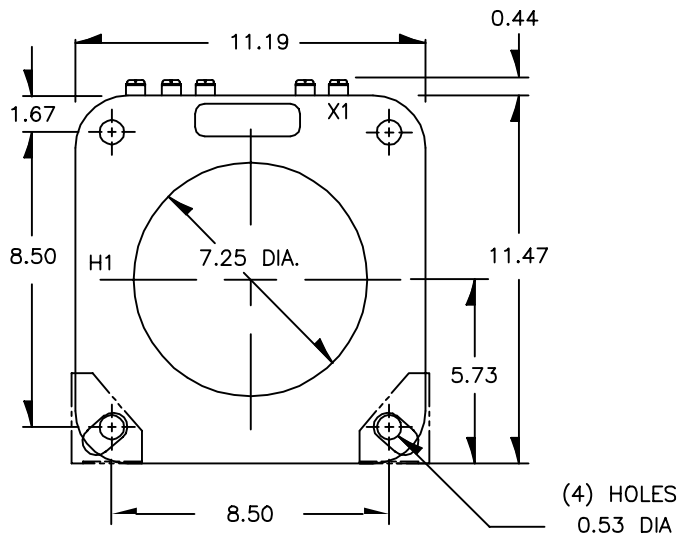
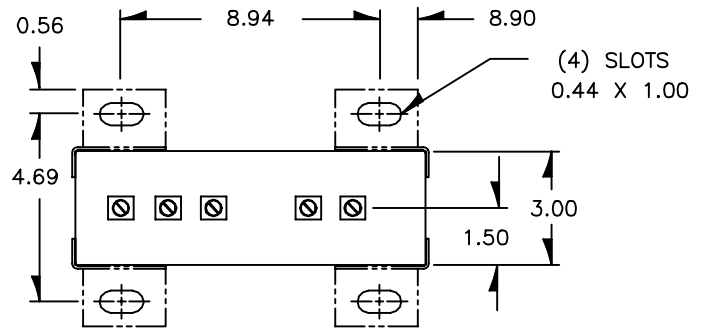
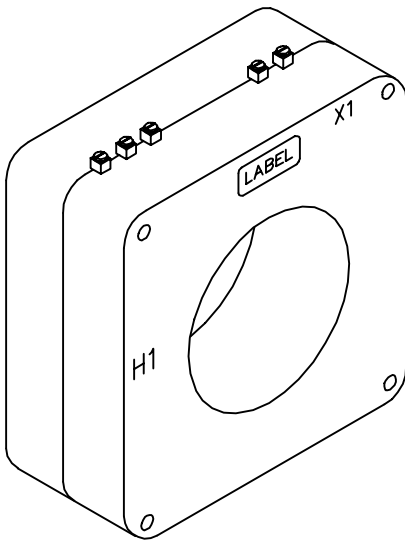
APPLICATION:
Relaying.

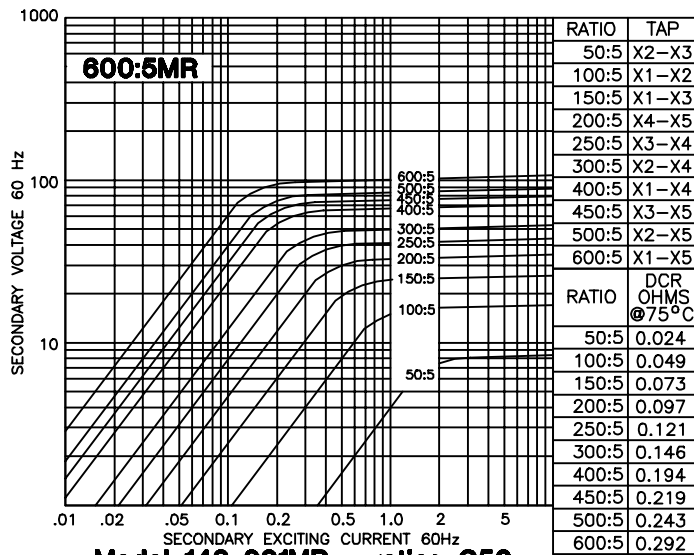
FREQUENCY:
50-400Hz

INSULATION LEVEL:
0.6 kV, BIL 10 kV full wave.

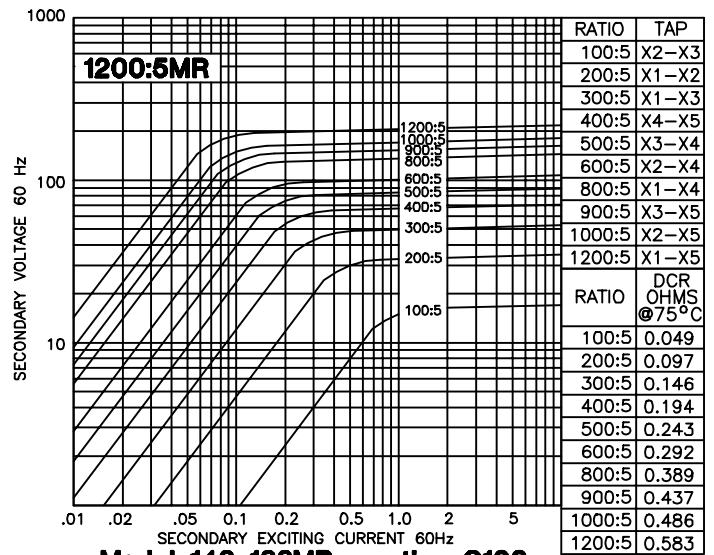
CONTINUOUS THERMAL CURRENT RATING FACTOR:
See TRF at curves.

- Terminals are brass screws No.10-32 with one flatwasher and lockwasher.
- The transformer winding is arranged so that the turns are fully distributed between all taps.
- Order Mounting Bracket Kit No. 0221B00259 separately.
- Approximate weight 31 lbs.

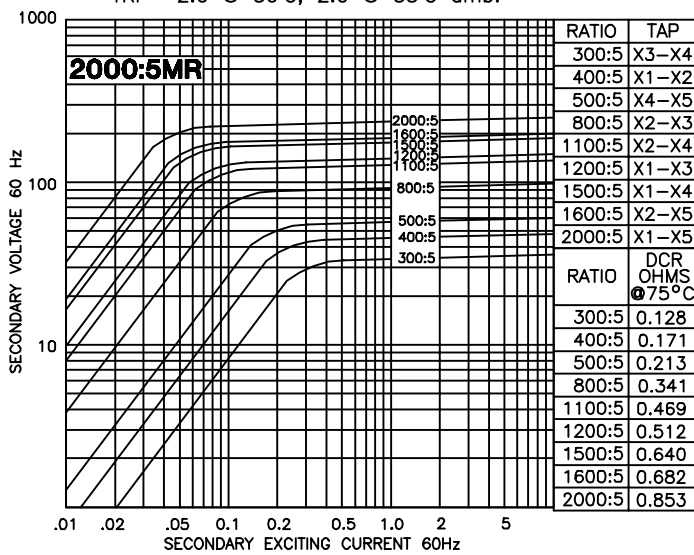




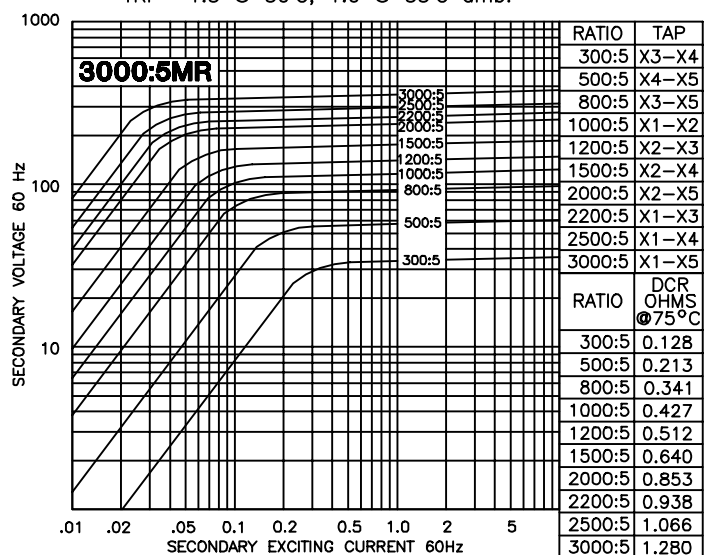
Model 142-601MR - rating C50
TRF= 2.0 @ 30°C, 2.0 @ 55°C amb.



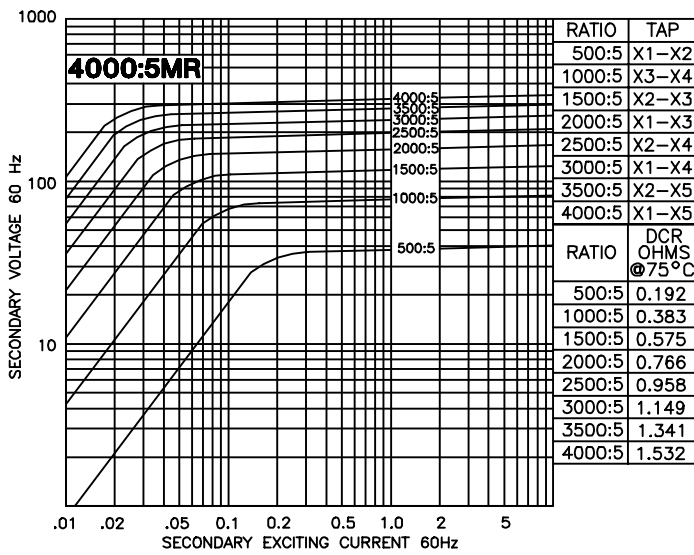
Model 142-122MR - rating C100
TRF= 1.5 @ 30°C, 1.0 @ 55°C amb.



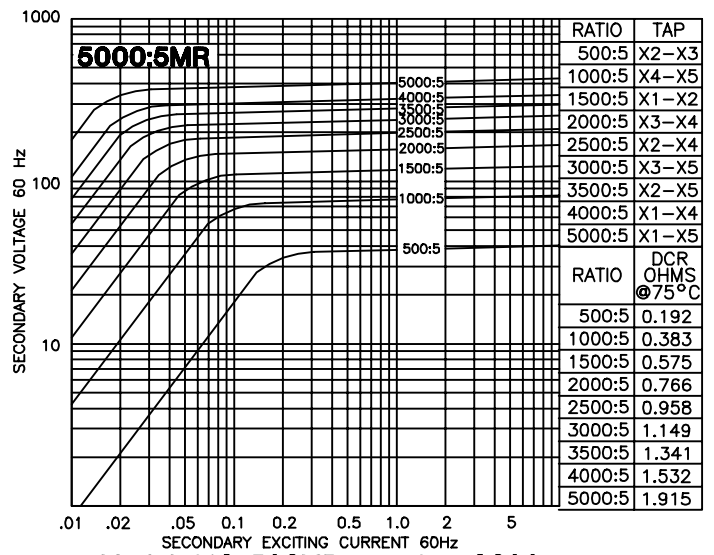
Model 142-202MR - rating C200
TRF= 2.0 @ 30°C, 1.5 @ 55°C amb.



Model 142-302MR - rating C200
TRF= 1.0 @ 30°C, 0.8 @ 55°C amb.



Model 142-402MR - rating C200
TRF= 1.0 @ 30°C, 0.8 @ 55°C amb.



Model 142-502MR - rating C200
TRF= 1.0 @ 30°C, 0.8 @ 55°C amb.

CURRENT TRANSFORMER

Model 143

Window Diameter 7.31"

APPLICATION:
Relaying and metering.

FREQUENCY:
50-400 Hz.

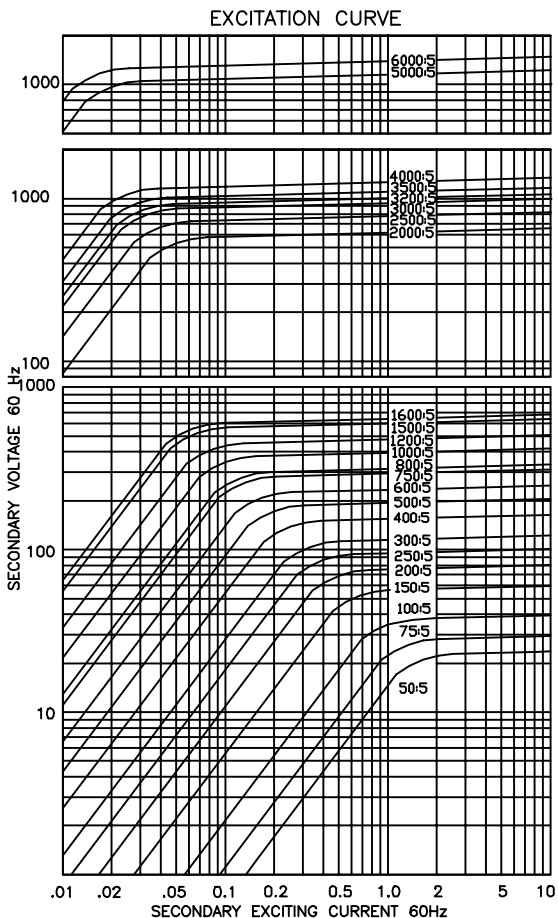
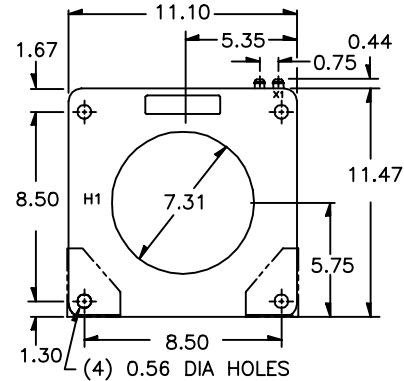
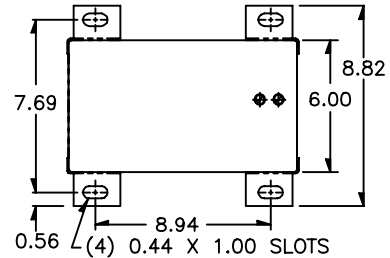
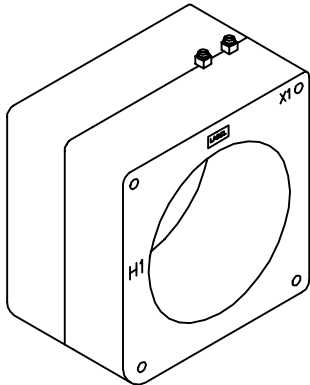
INSULATION LEVEL:
600 Volts, 10 kV BIL full wave.

REGULATORY AGENCY APPROVALS



Manufactured to meet the requirements of ANSI/IEEE C57.13.
Classified by U.L. in accordance with IEC 44-1
Approved for revenue metering by Industry Canada. No. AE-0642(+)

- Terminals are brass screws No.10-32 with one flatwasher and lockwasher.
- Order mounting bracket kit 0221B00775 separately.
- Multi-ratios available on request.
- Approximate weight 60 lbs.



| CATALOG NUMBER | CURRENT RATIO | RELAY CLASS | ANSI METERING CLASS AT 60 Hz | | | | | SECONDARY WINDING RESISTANCE (OHMS @ 75 °C) | CONTINUOUS THERMAL RATING FACTOR | |
|----------------|---------------|-------------|------------------------------|------|------|------|------|---|----------------------------------|-------|
| | | | B0.1 | B0.2 | B0.5 | B0.9 | B1.8 | | @30°C | @55°C |
| 143-500 | 50:5 | C20 | 4.8 | 4.8 | - | - | - | 0.014 | 2.0 | 2.0 |
| 143-750 | 75:5 | C20 | 2.4 | 2.4 | - | - | - | 0.042 | 2.0 | 2.0 |
| 143-101 | 100:5 | C20 | 1.2 | 2.4 | 4.8 | 4.8 | - | 0.056 | 2.0 | 2.0 |
| 143-151 | 150:5 * | C20 | 0.6 | 0.6 | 1.2 | 2.4 | 4.8 | 0.121 | 2.0 | 2.0 |
| 143-201 | 200:5 * | C50 | 0.3 | 0.3 | 0.6 | 1.2 | 2.4 | 0.161 | 2.0 | 2.0 |
| 143-251 | 250:5 * | C50 | 0.3 | 0.3 | 0.6 | 1.2 | 2.4 | 0.175 | 2.0 | 2.0 |
| 143-301 | 300:5 * | C100 | 0.3 | 0.3 | 0.3 | 0.6 | 1.2 | 0.241 | 2.0 | 2.0 |
| 143-401 | 400:5 * | C100 | 0.3 | 0.3 | 0.3 | 0.3 | 0.6 | 0.322 | 2.0 | 2.0 |
| 143-501 | 500:5 * | C100 | 0.3 | 0.3 | 0.3 | 0.3 | 0.6 | 0.441 | 2.0 | 2.0 |
| 143-601 | 600:5 * | C200 | 0.3 | 0.3 | 0.3 | 0.3 | 0.3 | 0.530 | 2.0 | 1.5 |
| 143-751 | 750:5 * | C200 | 0.3 | 0.3 | 0.3 | 0.3 | 0.3 | 0.662 | 2.0 | 1.5 |
| 143-801 | 800:5 * | C200 | 0.3 | 0.3 | 0.3 | 0.3 | 0.3 | 0.706 | 2.0 | 1.5 |
| 143-102 | 1000:5 * | C200 | 0.3 | 0.3 | 0.3 | 0.3 | 0.3 | 0.883 | 1.5 | 1.33 |
| 143-122 | 1200:5 * | C400 | 0.3 | 0.3 | 0.3 | 0.3 | 0.3 | 1.059 | 1.5 | 1.0 |
| 143-152 | 1500:5 * | C400 | 0.3 | 0.3 | 0.3 | 0.3 | 0.3 | 1.324 | 1.5 | 1.0 |
| 143-162 | 1600:5 * | C400 | 0.3 | 0.3 | 0.3 | 0.3 | 0.3 | 1.413 | 1.33 | 1.0 |
| 143-202 | 2000:5 * | C400 | 0.3 | 0.3 | 0.3 | 0.3 | 0.3 | 1.678 | 1.33 | 1.0 |
| 143-252 | 2500:5 * | C400 | 0.3 | 0.3 | 0.3 | 0.3 | 0.3 | 2.097 | 1.0 | 0.8 |
| 143-302 | 3000:5 * | C800 | 0.3 | 0.3 | 0.3 | 0.3 | 0.3 | 2.516 | 1.0 | 0.8 |
| 143-322 | 3200:5 * | C800 | 0.3 | 0.3 | 0.3 | 0.3 | 0.3 | 2.684 | 1.0 | 0.8 |
| 143-352 | 3500:5 * | C800 | 0.3 | 0.3 | 0.3 | 0.3 | 0.3 | 2.936 | 1.0 | 0.8 |
| 143-402 | 4000:5 * | C800 | 0.3 | 0.3 | 0.3 | 0.3 | 0.3 | 3.355 | 1.0 | 0.6 |
| 143-502 | 5000:5 * | C800 | 0.3 | 0.3 | 0.3 | 0.3 | 0.3 | 3.983 | 1.0 | 0.6 |
| 143-602 | 6000:5 * | C800 | 0.3 | 0.3 | 0.3 | 0.3 | 0.3 | 4.780 | 0.8 | 0.6 |

CURRENT TRANSFORMER

Model 143MR

Window Diameter 7.31"

REGULATORY AGENCY APPROVALS



Manufactured to meet the requirements of ANSI/IEEE C57.13.
Classified by U.L. in accordance with IEC 44-1

Approved for revenue metering by Industry Canada. No. AE-0642

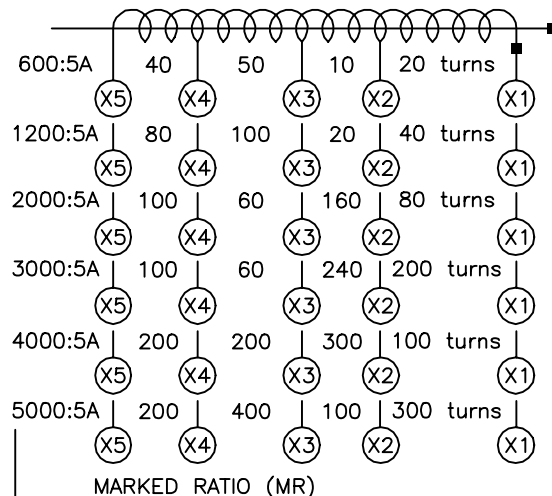
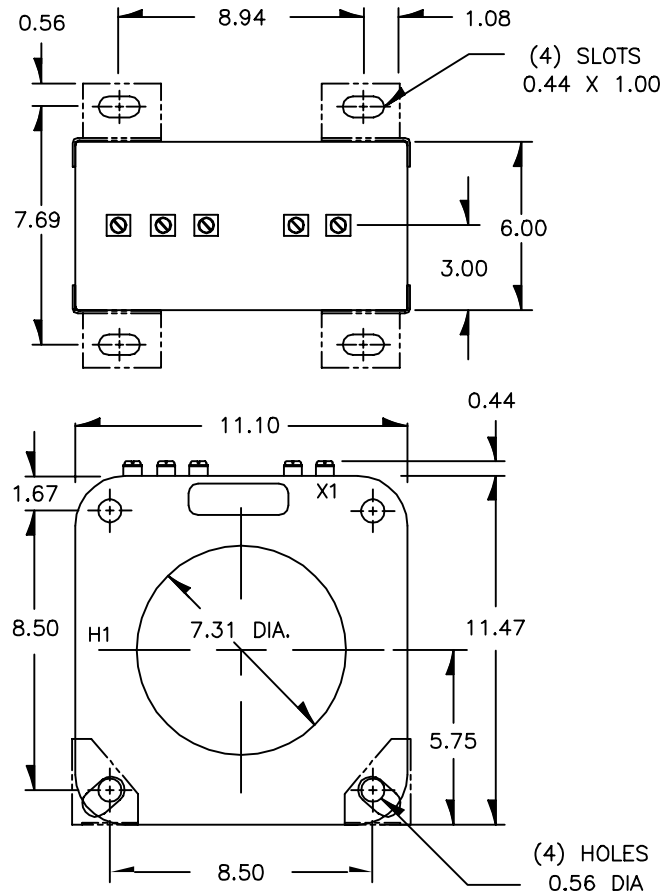
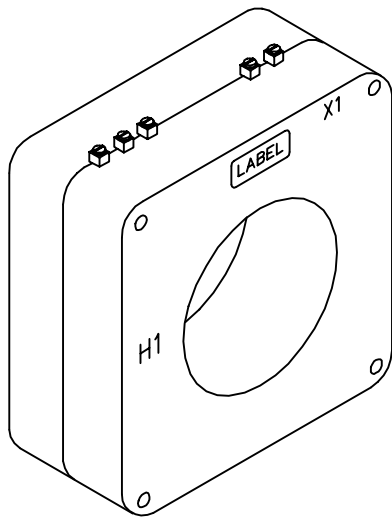
APPLICATION:
Relaying.

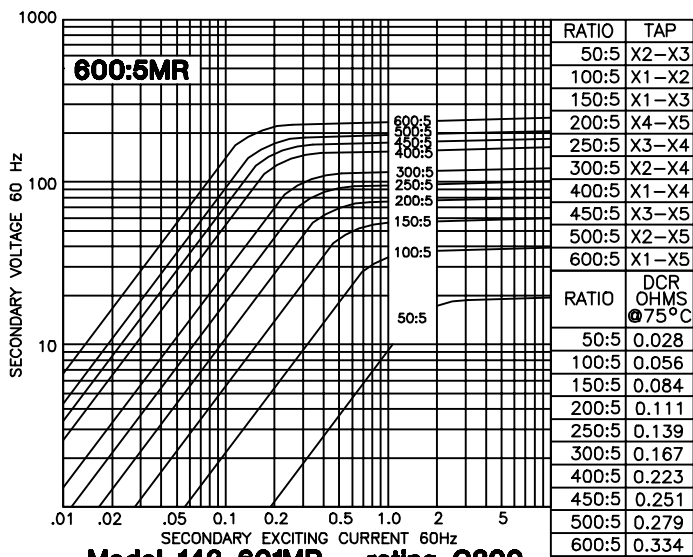
FREQUENCY:
50-400Hz

INSULATION LEVEL:
0.6 kV, BIL 10 kV full wave.

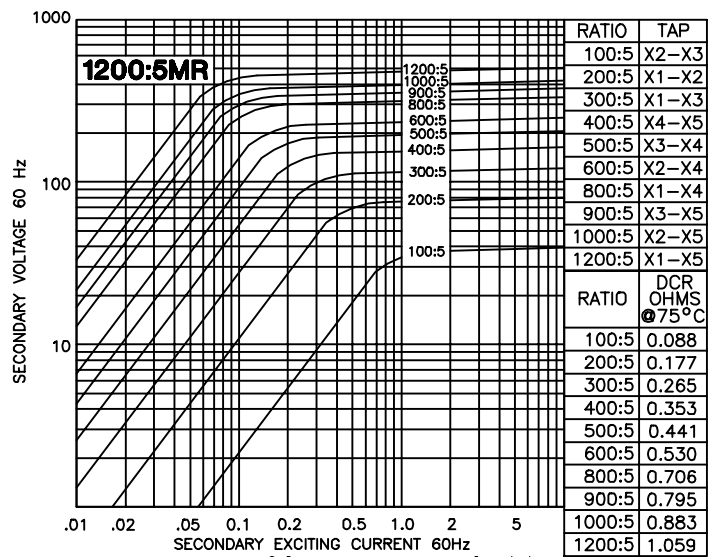
CONTINUOUS THERMAL CURRENT RATING FACTOR:
See TRF at curves.

- Terminals are brass screws No.10-32 with one flatwasher and lockwasher.
- The transformer winding is arranged so that the turns are fully distributed between all taps.
- Order Mounting Bracket Kit No. 0221B00775 separately.
- Approximate weight 60 lbs.

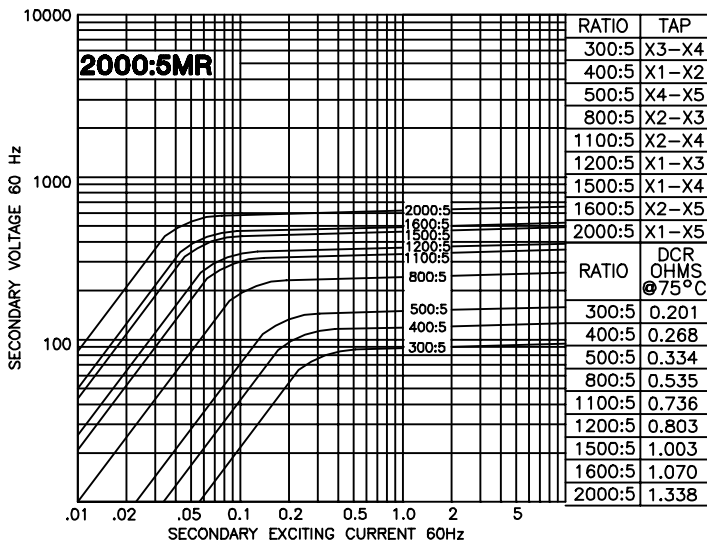




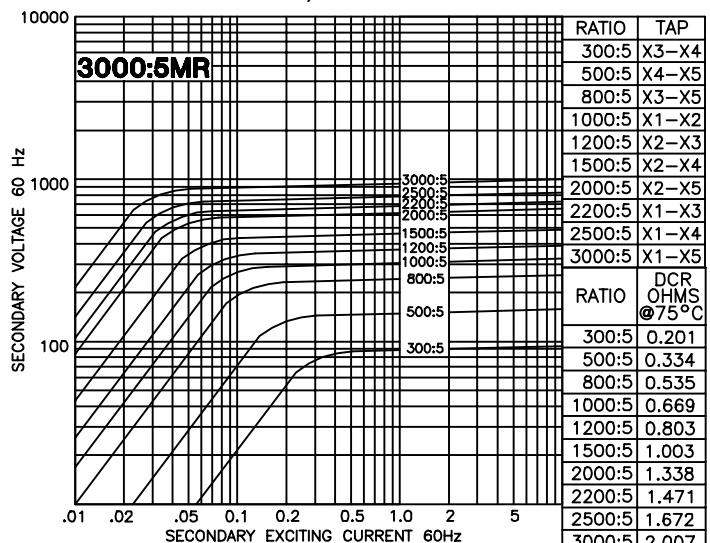
Model 143-601MR - rating C200
TRF= 2.0 @ 30°C, 1.5 @ 55°C amb.



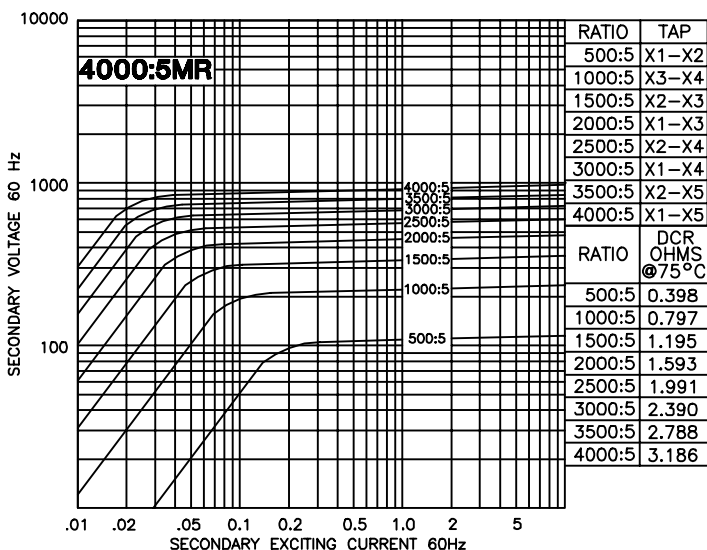
Model 143-122MR - rating C400
TRF= 1.5 @ 30°C, 1.0 @ 55°C amb.



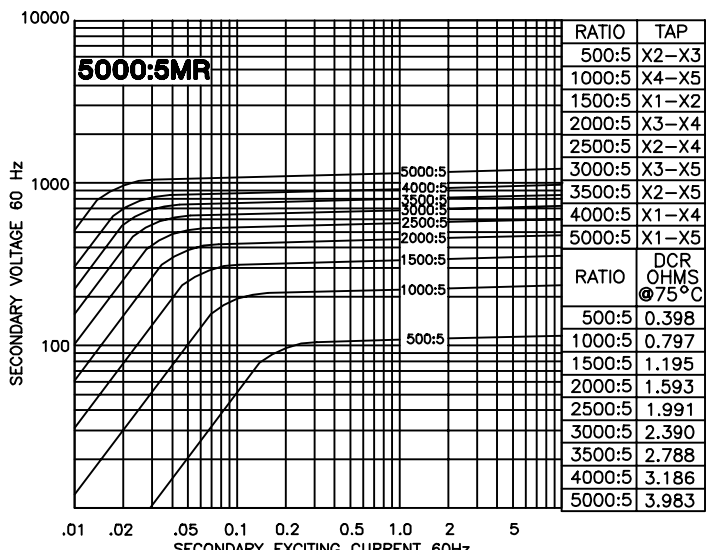
Model 143-202MR - rating C400
TRF= 1.33 @ 30°C, 1.0 @ 55°C amb.



Model 143-302MR - rating C800
TRF= 1.0 @ 30°C, 0.8 @ 55°C amb.



Model 143-402MR - rating C800
TRF= 1.0 @ 30°C, 0.6 @ 55°C amb.



Model 143-502MR - rating C800
TRF= 1.0 @ 30°C, 0.6 @ 55°C amb.

CURRENT TRANSFORMER

Model 144

Window Diameter 6.0"

APPLICATION:
Relaying and metering.

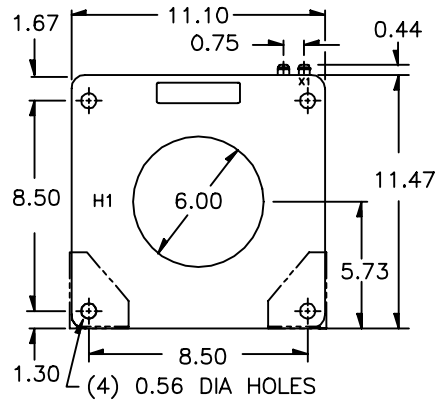
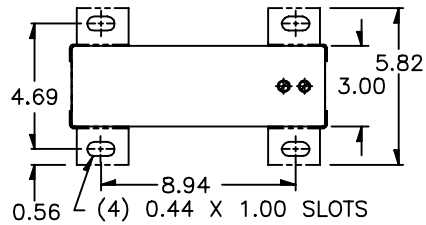
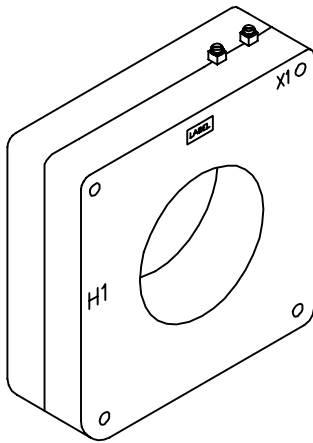
FREQUENCY:
50-400 Hz.

INSULATION LEVEL:
600 Volts, 10 kV BIL full wave.
REGULATORY AGENCY APPROVALS

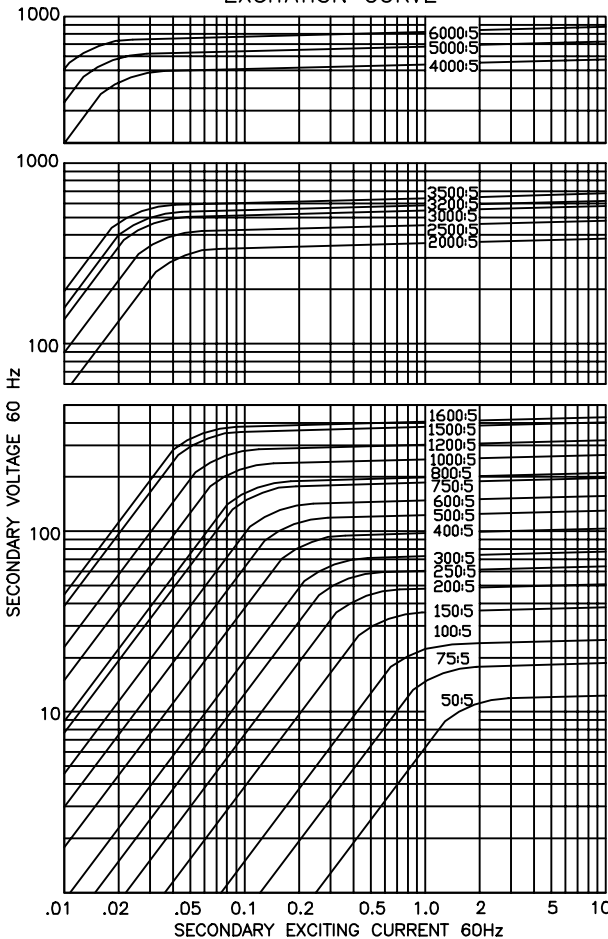
- Terminals are brass screws No. 10-32 UNF with one flatwasher and lockwasher.
- Order mounting bracket kit 0221B00259 separately.
- Multi-ratios available on request.
- Approximate weight 40 lbs.



Manufactured to meet the requirements of ANSI/IEEE C57.13.
Classified by U.L. in accordance with IEC 44-1
Approved for revenue metering by Industry Canada. No. AE-0642(*)



EXCITATION CURVE



| CATALOG NUMBER | CURRENT RATIO | RELAY CLASS | ANSI METERING CLASS AT 60 Hz | | | | | SECONDARY WINDING RESISTANCE (OHMS @ 75 °C) | CONTINUOUS THERMAL RATING FACTOR | |
|----------------|---------------|-------------|------------------------------|------|------|------|------|---|----------------------------------|-------|
| | | | B0.1 | B0.2 | B0.5 | B0.9 | B1.8 | | @30°C | @55°C |
| 144-500 | 50:5 | - | 2.4 | 4.8 | - | - | - | 0.020 | 2.0 | 2.0 |
| 144-750 | 75:5 | C10 | 1.2 | 2.4 | - | - | - | 0.032 | 2.0 | 2.0 |
| 144-101 | 100:5 | C10 | 1.2 | 1.2 | 2.4 | 4.8 | - | 0.040 | 2.0 | 2.0 |
| 144-151 | 150:5 * | C20 | 0.6 | 0.6 | 1.2 | 2.4 | 4.8 | 0.057 | 2.0 | 2.0 |
| 144-201 | 200:5 * | C20 | 0.6 | 0.6 | 1.2 | 2.4 | 2.4 | 0.067 | 2.0 | 2.0 |
| 144-251 | 250:5 * | C50 | 0.3 | 0.3 | 0.6 | 1.2 | 2.4 | 0.125 | 2.0 | 2.0 |
| 144-301 | 300:5 * | C50 | 0.3 | 0.3 | 0.6 | 0.6 | 1.2 | 0.150 | 2.0 | 2.0 |
| 144-401 | 400:5 * | C50 | 0.3 | 0.3 | 0.3 | 0.6 | 0.6 | 0.195 | 2.0 | 2.0 |
| 144-501 | 500:5 * | C100 | 0.3 | 0.3 | 0.3 | 0.6 | 0.6 | 0.282 | 2.0 | 2.0 |
| 144-601 | 600:5 * | C100 | 0.3 | 0.3 | 0.3 | 0.3 | 0.6 | 0.338 | 2.0 | 1.5 |
| 144-751 | 750:5 * | C100 | 0.3 | 0.3 | 0.3 | 0.3 | 0.3 | 0.213 | 2.0 | 2.0 |
| 144-801 | 800:5 * | C100 | 0.3 | 0.3 | 0.3 | 0.3 | 0.3 | 0.451 | 2.0 | 1.5 |
| 144-102 | 1000:5 * | C200 | 0.3 | 0.3 | 0.3 | 0.3 | 0.3 | 0.563 | 2.0 | 1.5 |
| 144-122 | 1200:5 * | C200 | 0.3 | 0.3 | 0.3 | 0.3 | 0.3 | 0.676 | 1.5 | 1.33 |
| 144-152 | 1500:5 * | C200 | 0.3 | 0.3 | 0.3 | 0.3 | 0.3 | 0.845 | 1.5 | 1.0 |
| 144-162 | 1600:5 * | C200 | 0.3 | 0.3 | 0.3 | 0.3 | 0.3 | 0.902 | 1.5 | 1.0 |
| 144-202 | 2000:5 * | C200 | 0.3 | 0.3 | 0.3 | 0.3 | 0.3 | 1.002 | 1.5 | 1.0 |
| 144-252 | 2500:5 * | C400 | 0.3 | 0.3 | 0.3 | 0.3 | 0.3 | 1.252 | 1.33 | 1.0 |
| 144-302 | 3000:5 * | C400 | 0.3 | 0.3 | 0.3 | 0.3 | 0.3 | 1.503 | 1.0 | 0.8 |
| 144-322 | 3200:5 * | C400 | 0.3 | 0.3 | 0.3 | 0.3 | 0.3 | 1.603 | 1.0 | 0.8 |
| 144-352 | 3500:5 * | C200 | 0.3 | 0.3 | 0.3 | 0.3 | 0.3 | 1.592 | 1.0 | 0.8 |
| 144-402 | 4000:5 * | C400 | 0.3 | 0.3 | 0.3 | 0.3 | 0.3 | 1.820 | 1.0 | 0.8 |
| 144-502 | 5000:5 * | C400 | 0.3 | 0.3 | 0.3 | 0.3 | 0.3 | 2.275 | 1.0 | 0.6 |
| 144-602 | 6000:5 * | C400 | 0.3 | 0.3 | 0.3 | 0.3 | 0.3 | 2.730 | 0.8 | 0.6 |

CURRENT TRANSFORMER

Model 144MR

Window Diameter 6.00"

REGULATORY AGENCY APPROVALS



Manufactured to meet the requirements of ANSI/IEEE C57.13.
Classified by U.L. in accordance with IEC 44-1

Approved for revenue metering by Industry Canada. No. AE-0642

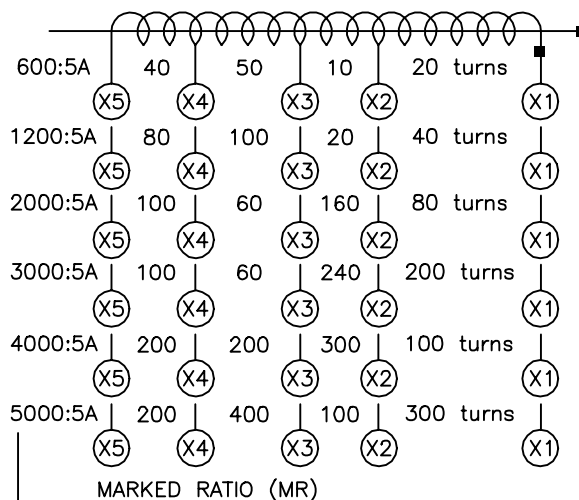
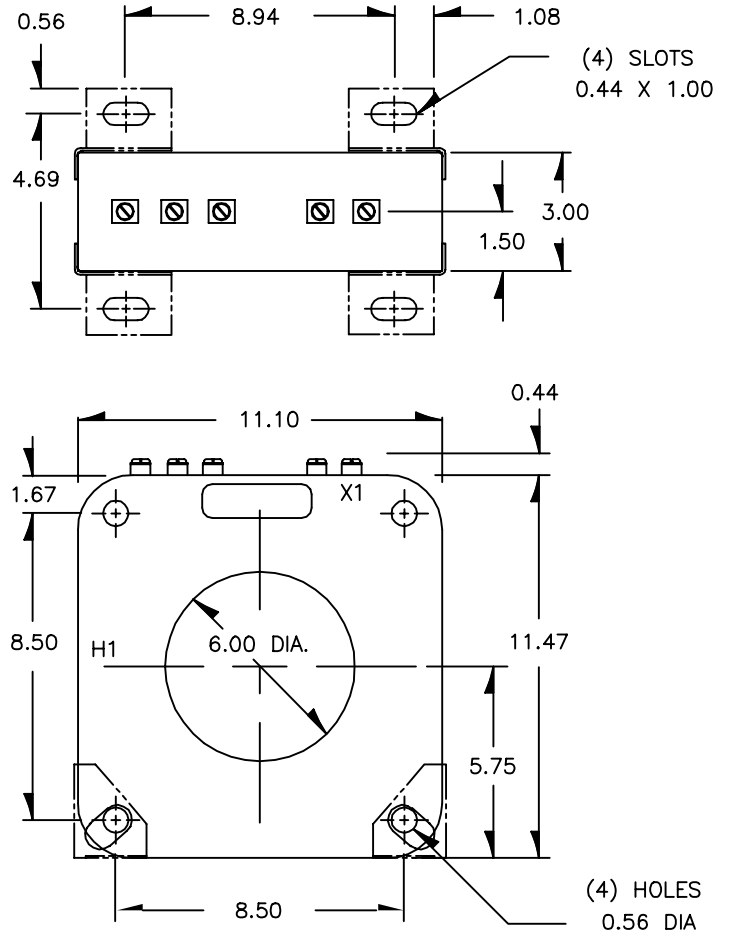
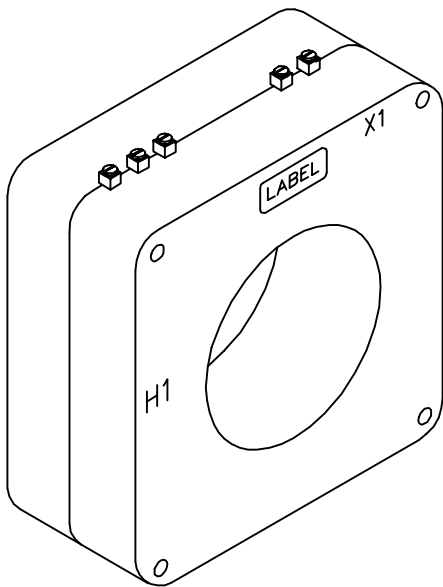
APPLICATION:
Relaying.

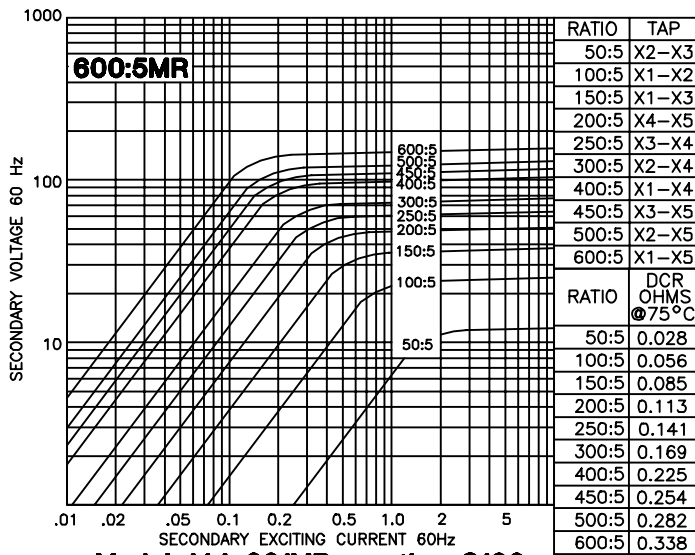
FREQUENCY:
50-400Hz

INSULATION LEVEL:
0.6 kV, BIL 10 kV full wave.

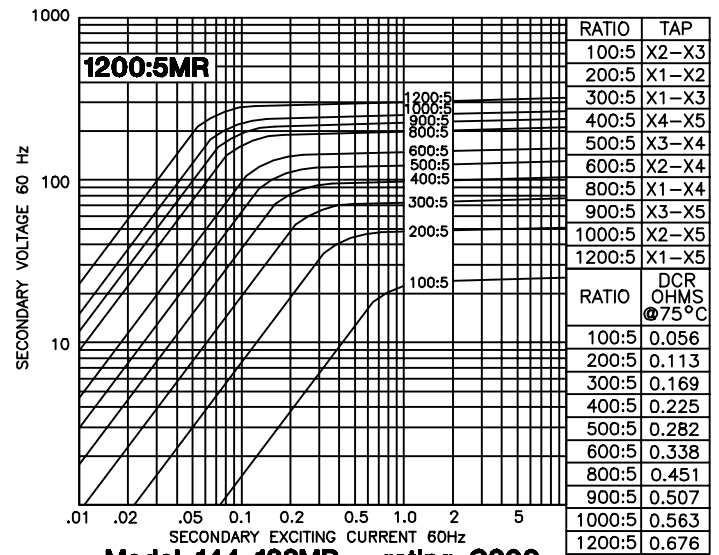
CONTINUOUS THERMAL CURRENT RATING FACTOR:
See TRF at curves.

- Terminals are brass screws No.10-32 with one flatwasher and lockwasher.
- The transformer winding is arranged so that the turns are fully distributed between all taps.
- Order Mounting Bracket Kit No. 0221B00259 separately.
- Approximate weight 40 lbs.

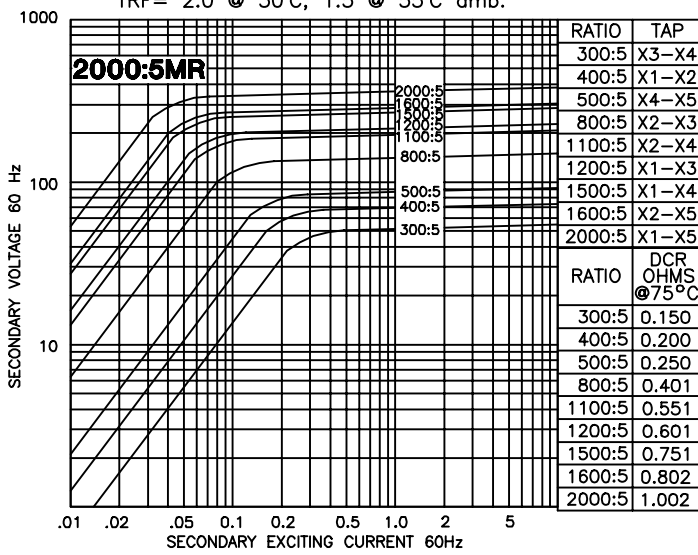




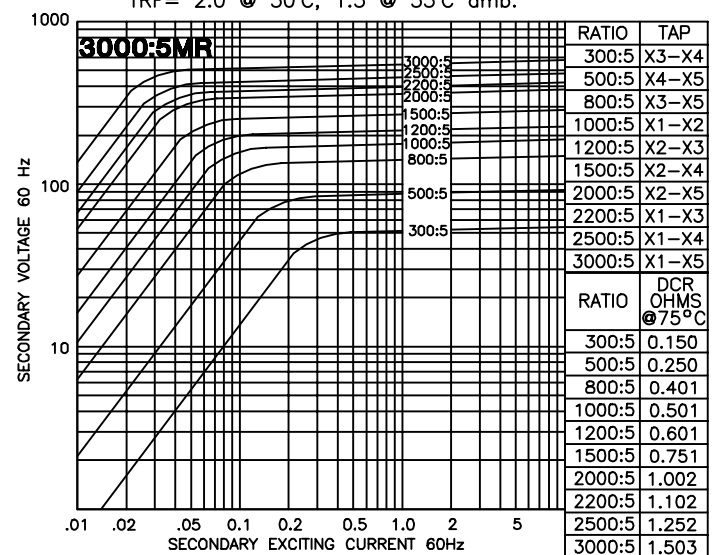
Model 144-601MR - rating C100
TRF= 2.0 @ 30°C, 1.5 @ 55°C amb.



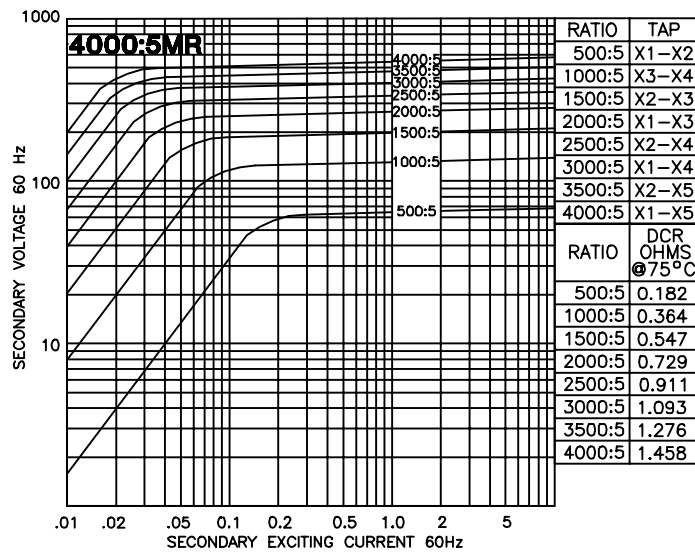
Model 144-122MR - rating C200
TRF= 2.0 @ 30°C, 1.5 @ 55°C amb.



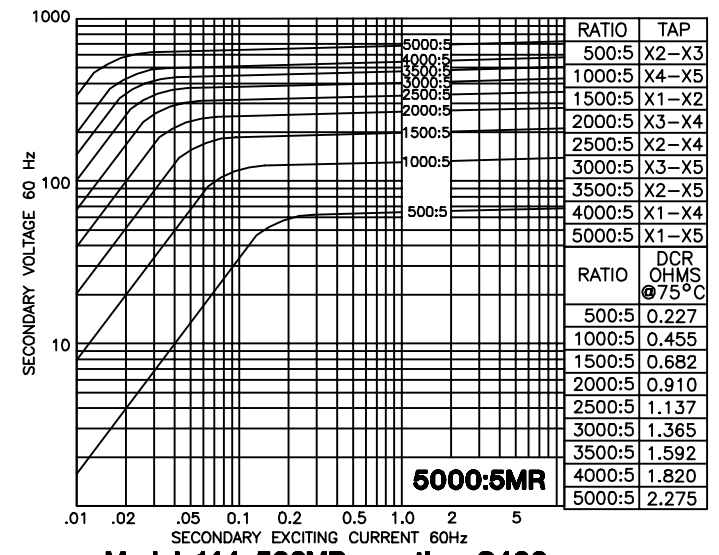
Model 144-202MR - rating C200
TRF= 1.5 @ 30°C, 1.0 @ 55°C amb.



Model 144-302MR - rating C400
TRF= 1.0 @ 30°C, 0.8 @ 55°C amb.



Model 144-402MR - rating C400
TRF= 1.0 @ 30°C, 0.8 @ 55°C amb.



Model 144-502MR - rating C400
TRF= 1.0 @ 30°C, 0.6 @ 55°C amb.

CURRENT TRANSFORMER

Model 145

Window Diameter 6.0"

APPLICATION:
Relaying and metering.

FREQUENCY:
50-400 Hz.

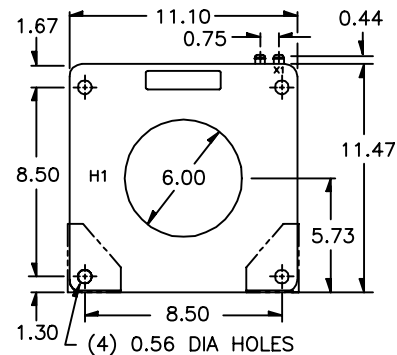
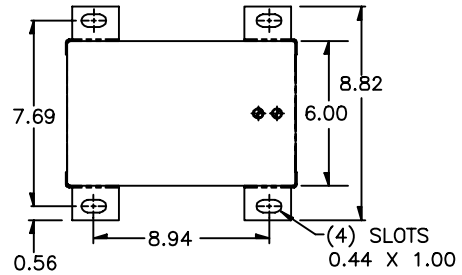
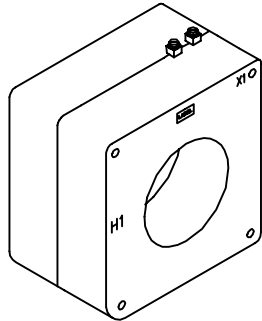
INSULATION LEVEL:
600 Volts, 10 kV BIL full wave.

- Terminals are brass screws No. 10-32 UNF with one flatwasher and lockwasher.
- Order mounting bracket kit 0221B00775 separately.
- Multi-ratios available on request.
- Approximate weight 83 lbs.

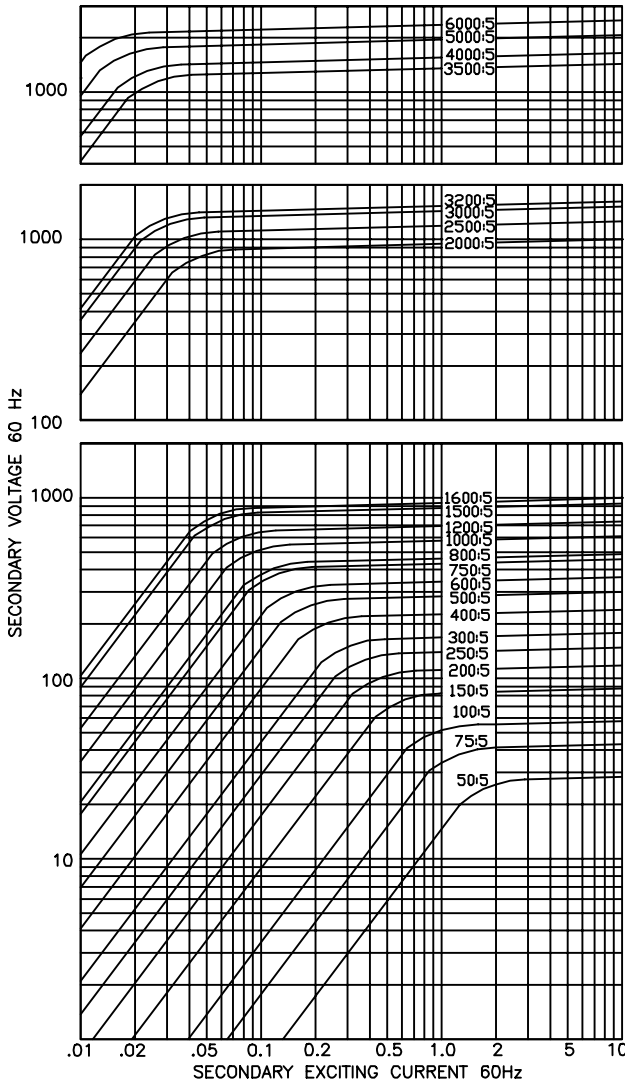
REGULATORY AGENCY APPROVALS



Manufactured to meet the requirements of ANSI/IEEE C57.13.
Classified by U.L. in accordance with IEC 44-1
Approved for revenue metering by Industry Canada. No. AE-0651(*)



EXCITATION CURVE



| CATALOG NUMBER | CURRENT RATIO | RELAY CLASS | ANSI METERING CLASS AT 60 Hz | | | | | SECONDARY WINDING RESISTANCE (OHMS @ 75 °C) | CONTINUOUS THERMAL RATING FACTOR | |
|----------------|---------------|-------------|------------------------------|------|------|------|------|---|----------------------------------|-------|
| | | | BO.1 | BO.2 | BO.5 | BO.9 | B1.8 | | @30°C | @55°C |
| | | | 145-500 | 50:5 | C20 | 1.2 | 4.8 | | - | - |
| 145-750 | 75:5 | C20 | 1.2 | 2.4 | 4.8 | 4.8 | - | 0.045 | 2.0 | 2.0 |
| 145-101 | 100:5 * | C20 | 0.6 | 1.2 | 2.4 | 4.8 | 4.8 | 0.061 | 2.0 | 2.0 |
| 145-151 | 150:5 * | C50 | 0.6 | 0.6 | 1.2 | 2.4 | 2.4 | 0.091 | 2.0 | 2.0 |
| 145-201 | 200:5 * | C100 | 0.3 | 0.6 | 0.6 | 1.2 | 2.4 | 0.121 | 2.0 | 2.0 |
| 145-251 | 250:5 * | C100 | 0.3 | 0.3 | 0.6 | 0.6 | 1.2 | 0.152 | 2.0 | 2.0 |
| 145-301 | 300:5 * | C100 | 0.3 | 0.3 | 0.3 | 0.6 | 1.2 | 0.288 | 2.0 | 2.0 |
| 145-401 | 400:5 * | C200 | 0.3 | 0.3 | 0.3 | 0.3 | 0.6 | 0.384 | 2.0 | 2.0 |
| 145-501 | 500:5 * | C200 | 0.3 | 0.3 | 0.3 | 0.3 | 0.3 | 0.480 | 2.0 | 1.5 |
| 145-601 | 600:5 * | C200 | 0.3 | 0.3 | 0.3 | 0.3 | 0.3 | 0.576 | 2.0 | 1.5 |
| 145-751 | 750:5 * | C400 | 0.3 | 0.3 | 0.3 | 0.3 | 0.3 | 0.720 | 2.0 | 1.5 |
| 145-801 | 800:5 * | C400 | 0.3 | 0.3 | 0.3 | 0.3 | 0.3 | 0.768 | 2.0 | 1.5 |
| 145-102 | 1000:5 * | C400 | 0.3 | 0.3 | 0.3 | 0.3 | 0.3 | 0.960 | 1.5 | 1.33 |
| 145-122 | 1200:5 * | C400 | 0.3 | 0.3 | 0.3 | 0.3 | 0.3 | 1.153 | 1.5 | 1.0 |
| 145-152 | 1500:5 * | C800 | 0.3 | 0.3 | 0.3 | 0.3 | 0.3 | 1.441 | 1.5 | 1.0 |
| 145-162 | 1600:5 * | C800 | 0.3 | 0.3 | 0.3 | 0.3 | 0.3 | 1.537 | 1.33 | 1.0 |
| 145-202 | 2000:5 * | C800 | 0.3 | 0.3 | 0.3 | 0.3 | 0.3 | 1.829 | 1.33 | 1.0 |
| 145-252 | 2500:5 * | C800 | 0.3 | 0.3 | 0.3 | 0.3 | 0.3 | 2.286 | 1.0 | 0.8 |
| 145-302 | 3000:5 * | C800 | 0.3 | 0.3 | 0.3 | 0.3 | 0.3 | 2.743 | 1.0 | 0.8 |
| 145-322 | 3200:5 * | C800 | 0.3 | 0.3 | 0.3 | 0.3 | 0.3 | 2.926 | 1.0 | 0.8 |
| 145-352 | 3500:5 * | C800 | 0.3 | 0.3 | 0.3 | 0.3 | 0.3 | 3.040 | 1.0 | 0.8 |
| 145-402 | 4000:5 * | C800 | 0.3 | 0.3 | 0.3 | 0.3 | 0.3 | 3.474 | 1.0 | 0.6 |
| 145-502 | 5000:5 * | C800 | 0.3 | 0.3 | 0.3 | 0.3 | 0.3 | 4.342 | 0.8 | 0.6 |
| 145-602 | 6000:5 * | C800 | 0.3 | 0.3 | 0.3 | 0.3 | 0.3 | 5.211 | 0.8 | 0.6 |

CURRENT TRANSFORMER

Model 145MR

Window Diameter 6.00"

REGULATORY AGENCY APPROVALS



Manufactured to meet the requirements of ANSI/IEEE C57.13.

Classified by U.L. in accordance with IEC 44-1

Approved for revenue metering by Industry Canada. No. AE-0651

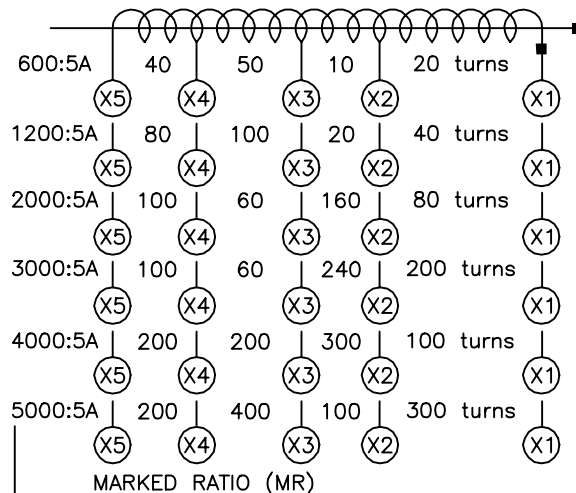
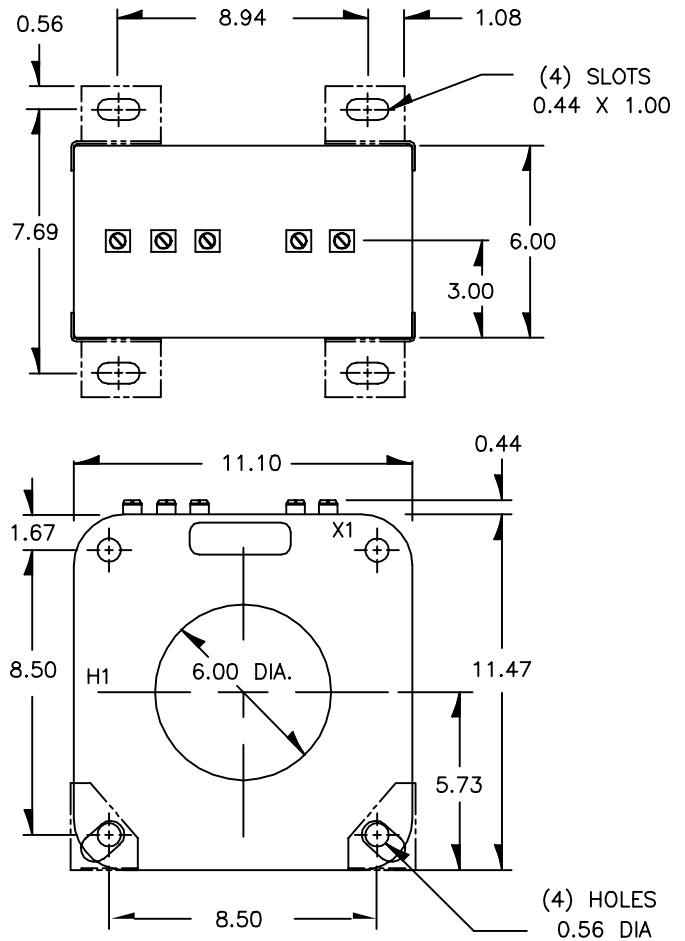
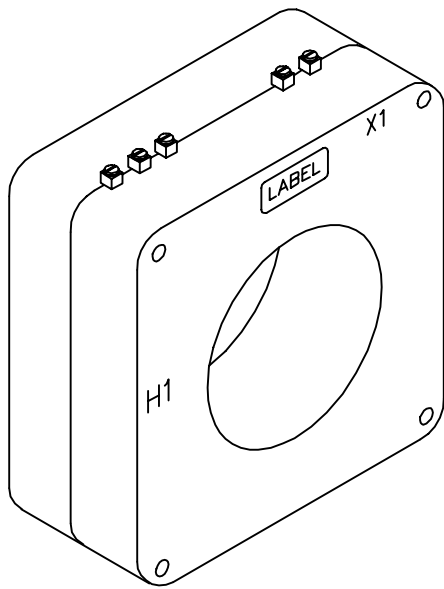
APPLICATION:
Relaying.

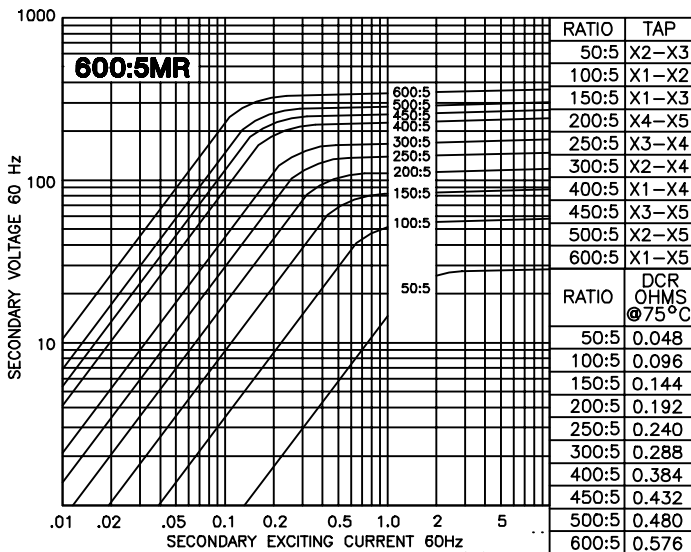
FREQUENCY:
50-400Hz

INSULATION LEVEL:
0.6 kV, BIL 10 kV full wave.

CONTINUOUS THERMAL CURRENT RATING FACTOR:
See TRF at curves.

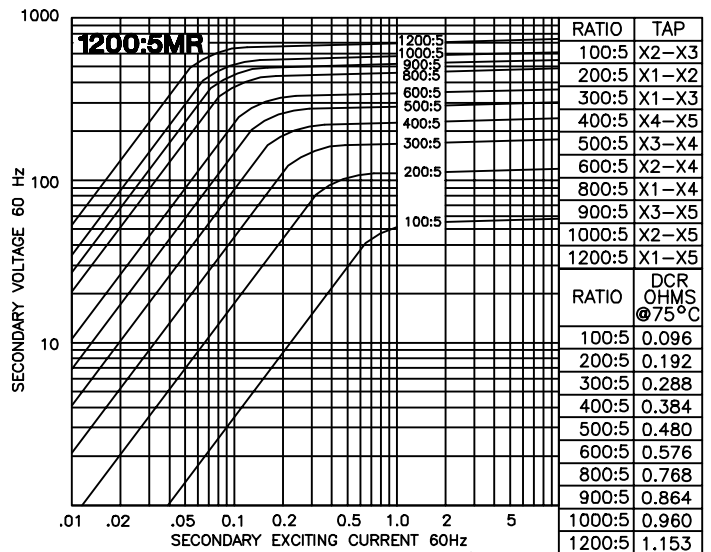
- Terminals are brass screws No.10-32 with one flatwasher and lockwasher.
- The transformer winding is arranged so that the turns are fully distributed between all taps.
- Order Mounting Bracket Kit No. 0221B00775 separately.
- Approximate weight 85 lbs.





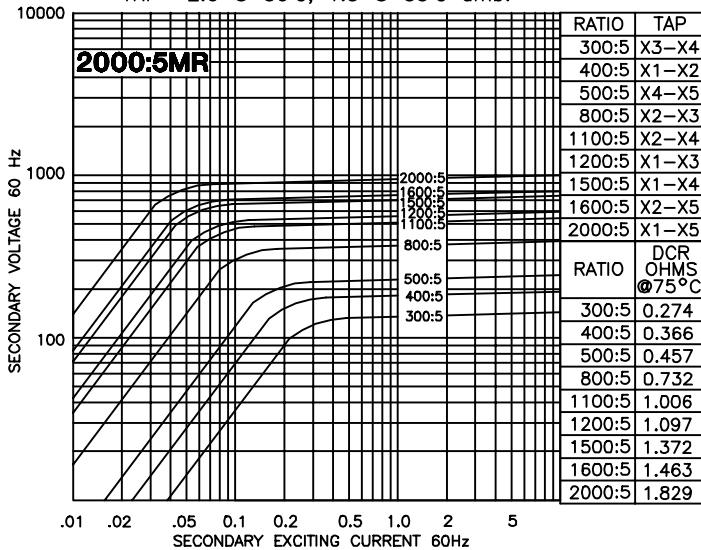
Model 145-601MR - rating C200

TRF= 2.0 @ 30°C, 1.5 @ 55°C amb.



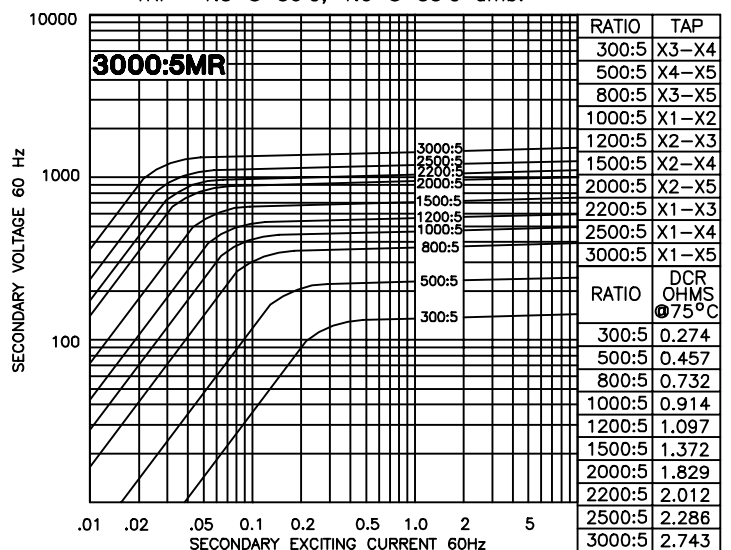
Model 145-122MR - rating C400

TRF= 1.5 @ 30°C, 1.0 @ 55°C amb.



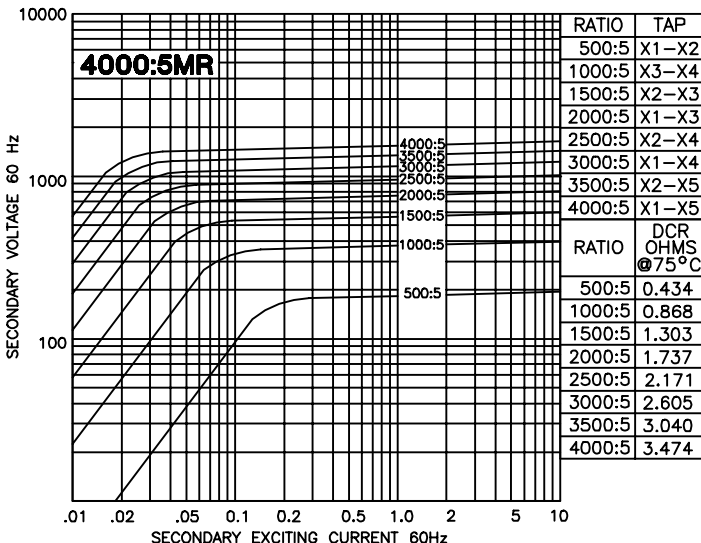
Model 145-202MR - rating C800

TRF= 1.33 @ 30°C, 1.0 @ 55°C amb.



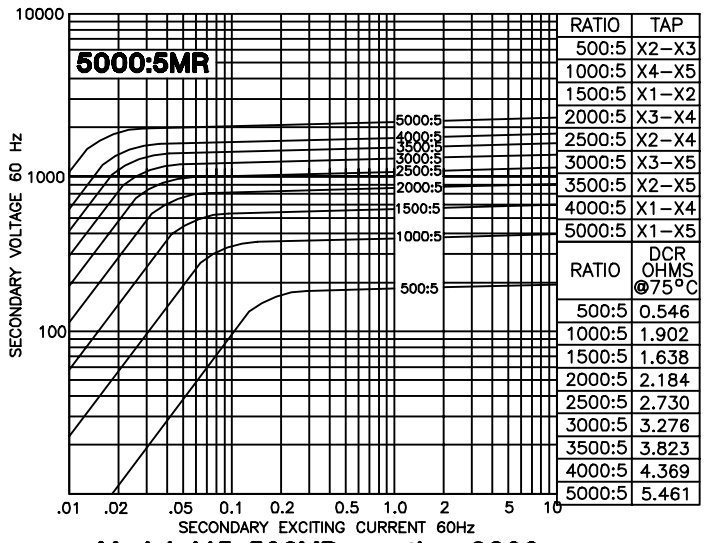
Model 145-302MR - rating C800

TRF= 1.0 @ 30°C, 0.8 @ 55°C amb.



Model 145-402MR - rating C800

TRF= 1.0 @ 30°C, 0.6 @ 55°C amb.



Model 145-502MR - rating C800

TRF= 0.8 @ 30°C, 0.6 @ 55°C amb.

CURRENT TRANSFORMER

Model 146

Window Diameter 8.75"

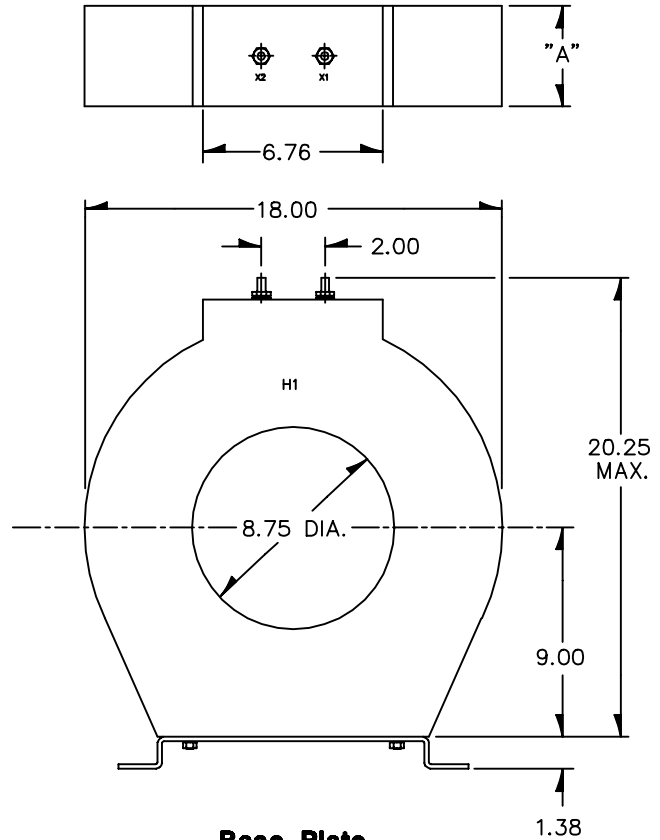
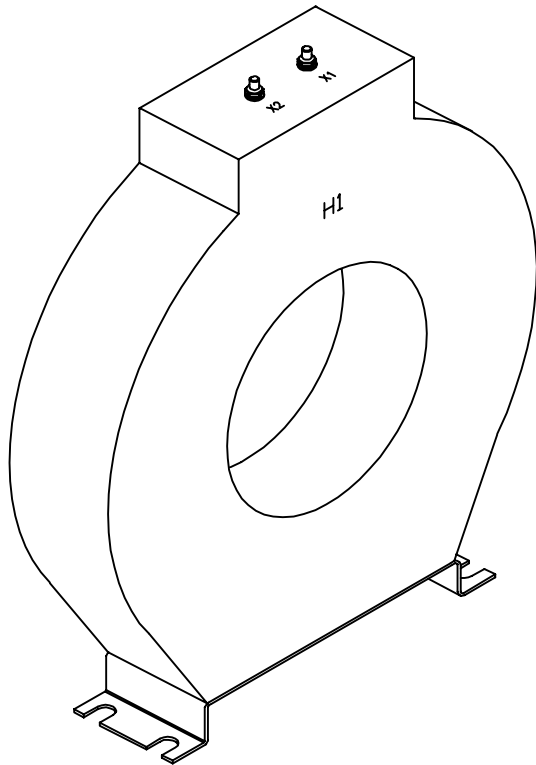
APPLICATION:
Relaying and metering.

FREQUENCY:
50-400Hz

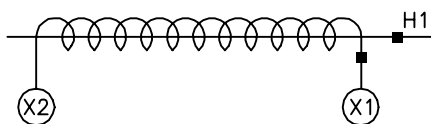
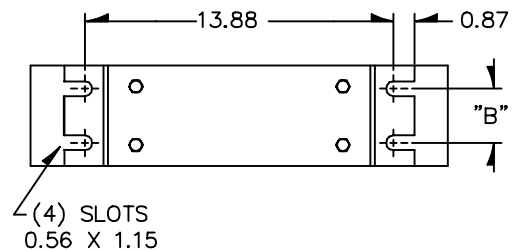
INSULATION LEVEL:
600 Volts, 10kV BIL full wave.

- Terminals are 1/4-20 brass studs with one flatwasher, lockwasher and hexnut.

- May be ordered with or without mounting base. Version with base to be used only with terminals on top.
- Multi-ratios available upon request.
- Cast resin construction.



Base Plate View



| CATALOG NUMBER | CURRENT RATIO | RELAY CLASS | ANSI METERING CLASS AT 60 Hz | | | | | SECONDARY WINDING RESISTANCE (OHMS @ 75°C) | CONTINUOUS THERMAL RATING FACTOR | | "A" IN. | "B" IN. |
|----------------|---------------|-------------|------------------------------|------|------|------|------|--|----------------------------------|-------|---------|---------|
| | | | B0.1 | B0.2 | B0.5 | B0.9 | B1.8 | | @30°C | @55°C | | |
| 146-501 | 500:5 | C400 | 0.3 | 0.3 | 0.3 | 0.3 | 0.3 | 0.30 | 2.0 | 2.0 | 5.50 | 4.00 |
| 146-601 | 600:5 | C400 | 0.3 | 0.3 | 0.3 | 0.3 | 0.3 | 0.339 | 2.0 | 2.0 | 5.50 | 4.00 |
| 146-102 | 1000:5 | C800 | 0.3 | 0.3 | 0.3 | 0.3 | 0.3 | 0.625 | 2.0 | 2.0 | 5.50 | 4.00 |
| 146-122 | 1200:5 | C800 | 0.3 | 0.3 | 0.3 | 0.3 | 0.3 | 0.678 | 2.0 | 2.0 | 5.50 | 4.00 |
| 146-152 | 1500:5 | C800 | 0.3 | 0.3 | 0.3 | 0.3 | 0.3 | 0.787 | 2.0 | 2.0 | 5.50 | 4.00 |
| 146-202 | 2000:5 | C800 | 0.3 | 0.3 | 0.3 | 0.3 | 0.3 | 0.894 | 1.5 | 1.5 | 5.50 | 4.00 |
| 146-252 | 2500:5 | C800 | 0.3 | 0.3 | 0.3 | 0.3 | 0.3 | 1.053 | 1.5 | 1.5 | 5.50 | 4.00 |
| 146-302 | 3000:5 | C800 | 0.3 | 0.3 | 0.3 | 0.3 | 0.3 | 1.204 | 1.0 | 1.0 | 5.50 | 4.00 |
| 146-402 | 4000:5 | C800 | 0.3 | 0.3 | 0.3 | 0.3 | 0.3 | 1.397 | 1.0 | 1.0 | 4.00 | 2.50 |
| 146-502 | 5000:5 | C800 | 0.3 | 0.3 | 0.3 | 0.3 | 0.3 | 1.725 | 1.0 | 1.0 | 4.00 | 2.50 |
| 146-602 | 6000:5 | C800 | 0.3 | 0.3 | 0.3 | 0.3 | 0.3 | 2.10 | 1.0 | 1.0 | 4.00 | 2.50 |
| 146-802 | 8000:5 | C800 | 0.3 | 0.3 | 0.3 | 0.3 | 0.3 | 2.50 | 1.0 | 1.0 | 4.00 | 2.50 |

CURRENT TRANSFORMER

Model 147

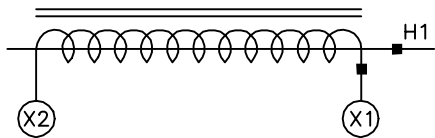
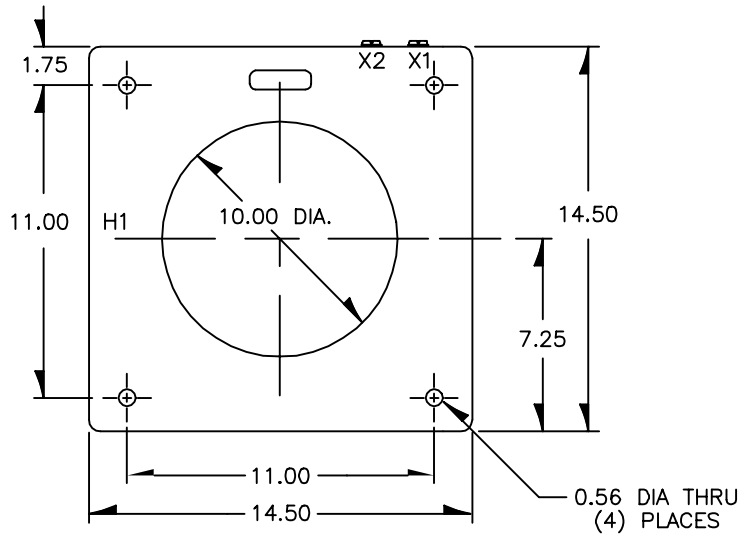
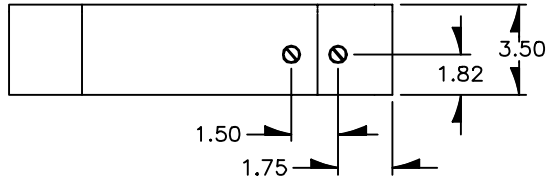
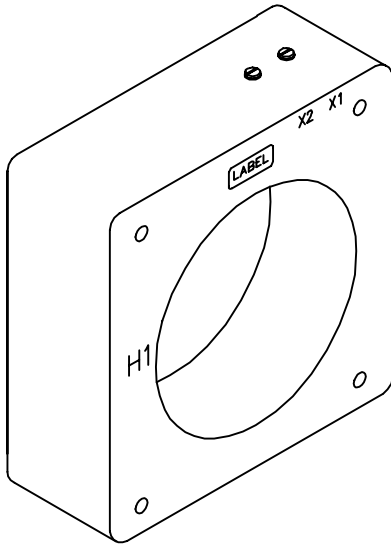
Window Diameter 10.00"

APPLICATION:
Relaying.

FREQUENCY:
50-60Hz

INSULATION LEVEL:
0.6 kV, BIL 10 kV full wave.

- Terminals are brass screws No.10-32 with one flatwasher and lockwasher.
- Short time thermal rating factor: 100 X rated primary current for 1 second.
- For indoor service, resin encapsulated in black plastic case.
- Approximate weight 50 lbs.



CONNECTION DIAGRAM

| CATALOG NUMBER | CURRENT RATIO | RELAY CLASS | ANSI METERING CLASS AT 60 Hz | | | | | RATING FACTOR AT 30°C AMBIENT | SECONDARY WINDING RESISTANCE (OHMS @ 75°C) |
|----------------|---------------|-------------|------------------------------|------|------|------|------|-------------------------------|--|
| | | | B0.1 | B0.2 | B0.5 | B0.9 | B1.8 | | |
| 147-202 | 2000:5 | C200 | 0.3 | 0.3 | 0.3 | 0.3 | 0.3 | 2.0 | 0.414 |
| 147-252 | 2500:5 | C200 | 0.3 | 0.3 | 0.3 | 0.3 | 0.3 | 2.0 | 0.447 |
| 147-302 | 3000:5 | C200 | 0.3 | 0.3 | 0.3 | 0.3 | 0.3 | 2.0 | 0.495 |
| 147-402 | 4000:5 | C200 | 0.3 | 0.3 | 0.3 | 0.3 | 0.3 | 2.0 | 0.707 |
| 147-502 | 5000:5 | C200 | 0.3 | 0.3 | 0.3 | 0.3 | 0.3 | 2.0 | 0.745 |
| 147-602 | 6000:5 | C200 | 0.3 | 0.3 | 0.3 | 0.3 | 0.3 | 1.5 | 0.975 |
| 147-802 | 8000:5 | C200 | 0.3 | 0.3 | 0.3 | 0.3 | 0.3 | 1.0 | 1.970 |
| 147-103 | 10000:5 | C200 | 0.3 | 0.3 | 0.3 | 0.3 | 0.3 | 1.0 | 2.190 |

CURRENT TRANSFORMER

Model 149

Window Diameter 8.25"

APPLICATION:
Relaying and metering.

FREQUENCY:
50-400 Hz.

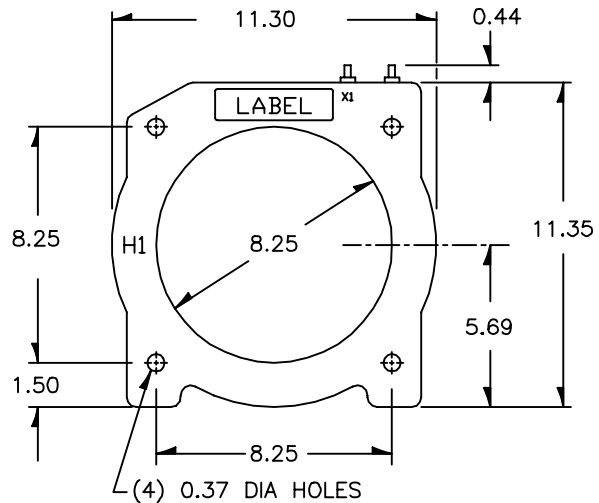
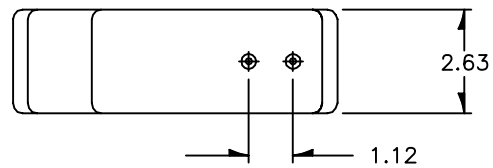
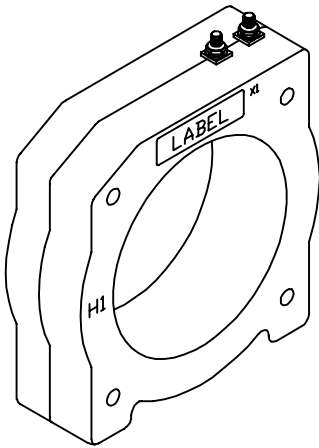
INSULATION LEVEL:
600 Volts, 10 kV BIL full wave.

REGULATORY AGENCY APPROVALS

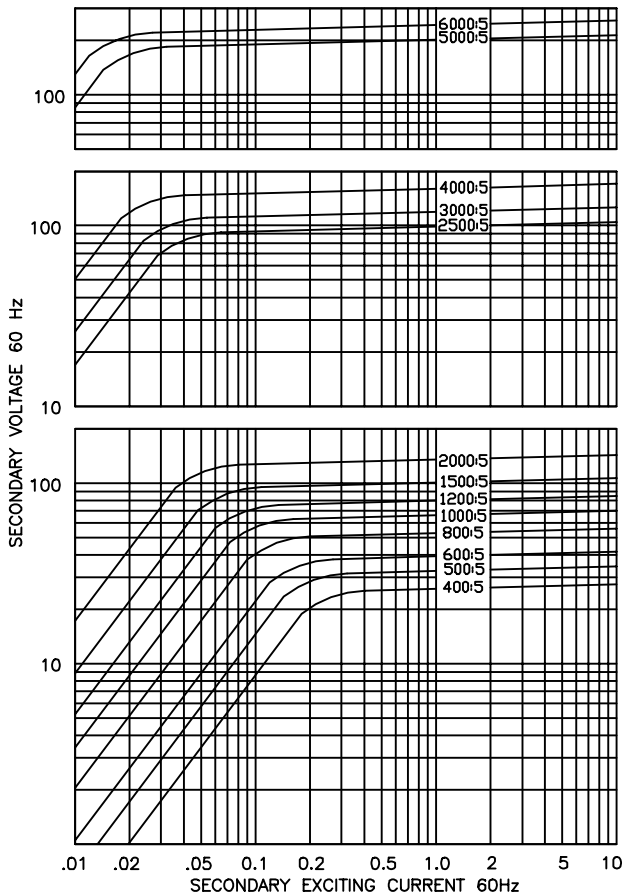


Manufactured to meet the requirements of ANSI/IEEE C57.13.
Classified by U.L. in accordance with IEC 44-1

- Terminals are brass studs No. 8-32 UNC with one flatwasher, lockwasher and regular nut.
- Removable cover & shorting device available at extra cost.
- Approximate weight 11 lbs.



EXCITATION CURVE



| CATALOG NUMBER | CURRENT RATIO | RELAY CLASS | ANSI METERING CLASS AT 60 Hz | | | | | SECONDARY WINDING RESISTANCE (OHMS @ 75 °C) | CONTINUOUS THERMAL RATING FACTOR | |
|----------------|---------------|-------------|------------------------------|------|------|------|------|---|----------------------------------|-------|
| | | | B0.1 | B0.2 | B0.5 | B0.9 | B1.8 | | @30°C | @55°C |
| 149 - 401 | 400:5 | C10 | 0.3 | 0.6 | 1.2 | 1.2 | 2.4 | 0.141 | 2.0 | 2.0 |
| 149 - 501 | 500:5 | C10 | 0.3 | 0.3 | 0.6 | 0.6 | 1.2 | 0.176 | 2.0 | 2.0 |
| 149 - 601 | 600:5 | C20 | 0.3 | 0.3 | 0.3 | 0.6 | 1.2 | 0.211 | 2.0 | 2.0 |
| 149 - 801 | 800:5 | C20 | 0.3 | 0.3 | 0.3 | 0.3 | 0.6 | 0.281 | 2.0 | 2.0 |
| 149 - 102 | 1000:5 | C30 | 0.3 | 0.3 | 0.3 | 0.3 | 0.3 | 0.352 | 2.0 | 1.5 |
| 149 - 122 | 1200:5 | C30 | 0.3 | 0.3 | 0.3 | 0.3 | 0.3 | 0.422 | 2.0 | 1.5 |
| 149 - 152 | 1500:5 | C50 | 0.3 | 0.3 | 0.3 | 0.3 | 0.3 | 0.527 | 1.5 | 1.0 |
| 149 - 202 | 2000:5 | C50 | 0.3 | 0.3 | 0.3 | 0.3 | 0.3 | 0.885 | 1.5 | 1.0 |
| 149 - 252 | 2500:5 | C20 | 0.3 | 0.3 | 0.3 | 0.3 | 0.3 | 0.788 | 1.33 | 1.0 |
| 149 - 302 | 3000:5 | C20 | 0.3 | 0.3 | 0.3 | 0.3 | 0.3 | 0.946 | 1.33 | 1.0 |
| 149 - 402 | 4000:5 | C20 | 0.3 | 0.3 | 0.3 | 0.3 | 0.3 | 1.261 | 1.0 | 0.8 |
| 149 - 502 | 5000:5 | C20 | 0.3 | 0.3 | 0.3 | 0.3 | 0.3 | 1.677 | 1.0 | 0.8 |
| 149 - 602 | 6000:5 | C50 | 0.3 | 0.3 | 0.3 | 0.3 | 0.3 | 2.012 | 1.0 | 0.6 |

CURRENT TRANSFORMER

Model 170

Window Diameter 4.25"

APPLICATION:
Metering.

FREQUENCY:
50–400 Hz.

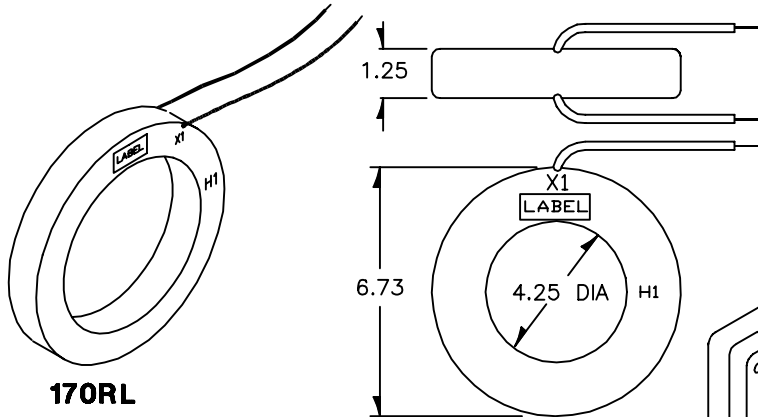
INSULATION LEVEL:
600 Volts, 10 kV BIL full wave.

REGULATORY AGENCY APPROVALS

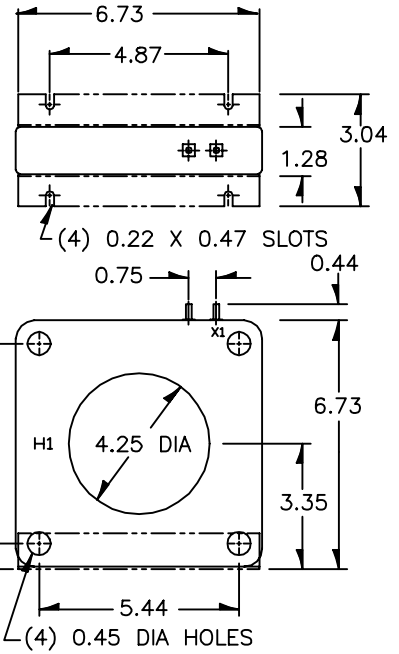


Manufactured to meet the requirements of ANSI/IEEE C57.13.
Classified by U.L. in accordance with IEC 44-1

- Terminals are brass studs No. 8–32 UNC with one flatwasher, lockwasher and regular nut.
- Flexible leads are UL 1015 105 °C CSA approved, #16 AWG, 24" long.
- Non-standard lead length can be specified.
- Order mounting bracket kit 0221B00187 separately.
- Model 170SHT also available as 170SHL with leads.
- Approximate weight 3 lbs.

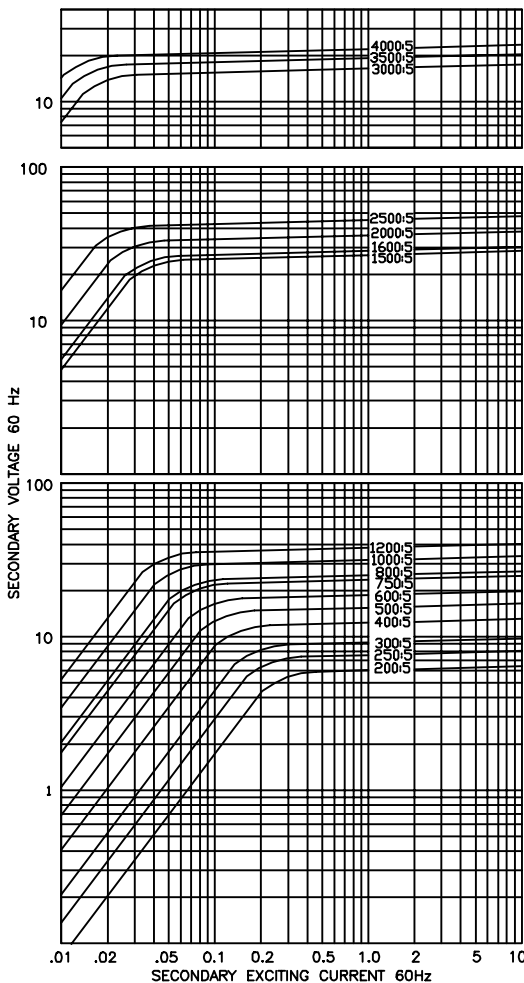


170RL



170SHT

EXCITATION CURVE



| CATALOG NUMBER | CURRENT RATIO | V.A. FOR ± 1% CLASS | ANSI METERING CLASS AT 60 Hz | | | | | SECONDARY WINDING RESISTANCE (OHMS @ 75 °C) | CONTINUOUS THERMAL RATING FACTOR | |
|----------------|---------------|---------------------|------------------------------|------|------|------|------|---|----------------------------------|-------|
| | | | B0.1 | B0.2 | B0.5 | B0.9 | B1.8 | | @30°C | @55°C |
| 170 **– 201 | 200:5 | 5.0 | 0.6 | 1.2 | 2.4 | – | – | 0.040 | 2.0 | 2.0 |
| 170 **– 251 | 250:5 | 5.0 | 0.6 | 0.6 | 1.2 | 2.4 | – | 0.047 | 2.0 | 2.0 |
| 170 **– 301 | 300:5 | 12.5 | 0.6 | 0.6 | 1.2 | 2.4 | – | 0.053 | 2.0 | 2.0 |
| 170 **– 401 | 400:5 | 25.0 | 0.3 | 0.3 | 0.6 | 1.2 | 2.4 | 0.080 | 2.0 | 2.0 |
| 170 **– 501 | 500:5 | 25.0 | 0.3 | 0.3 | 0.6 | 1.2 | 1.2 | 0.110 | 2.0 | 1.5 |
| 170 **– 601 | 600:5 | 25.0 | 0.3 | 0.3 | 0.6 | 0.6 | 1.2 | 0.121 | 2.0 | 1.5 |
| 170 **– 751 | 750:5 | 40.0 | 0.3 | 0.3 | 0.3 | 0.3 | 0.6 | 0.151 | 2.0 | 1.5 |
| 170 **– 801 | 800:5 | 50.0 | 0.3 | 0.3 | 0.3 | 0.3 | 0.6 | 0.162 | 2.0 | 1.5 |
| 170 **– 102 | 1000:5 | 75.0 | 0.3 | 0.3 | 0.3 | 0.3 | 0.6 | 0.265 | 1.33 | 1.0 |
| 170 **– 122 | 1200:5 | 100.0 | 0.3 | 0.3 | 0.3 | 0.3 | 0.6 | 0.318 | 1.33 | 1.0 |
| 170 **– 152 | 1500:5 | 80.0 | 0.3 | 0.3 | 0.3 | 0.3 | 0.6 | 0.344 | 1.33 | 1.0 |
| 170 **– 162 | 1600:5 | 90.0 | 0.3 | 0.3 | 0.3 | 0.3 | 0.6 | 0.367 | 1.33 | 1.0 |
| 170 **– 202 | 2000:5 | 100.0 | 0.3 | 0.3 | 0.3 | 0.3 | 0.3 | 0.459 | 1.0 | 0.8 |
| 170 **– 252 | 2500:5 | 130.0 | 0.3 | 0.3 | 0.3 | 0.3 | 0.3 | 0.573 | 1.0 | 0.8 |
| 170 **– 302 | 3000:5 | 160.0 | 0.3 | 0.3 | 0.3 | 0.3 | 0.3 | 0.424 | 1.0 | 1.0 |
| 170 **– 352 | 3500:5 | 190.0 | 0.3 | 0.3 | 0.3 | 0.3 | 0.3 | 0.495 | 1.0 | 0.8 |
| 170 **– 402 | 4000:5 | 200.0 | 0.3 | 0.3 | 0.3 | 0.3 | 0.3 | 0.646 | 1.0 | 0.8 |

**NOTE: When ordering, prefix catalog number with model designation required, i.e. 170SHT–201, or 170RL–301.

CURRENT TRANSFORMER

Model 180

Window Diameter 2.50"

APPLICATION:
Metering.

FREQUENCY:
50-400 Hz.

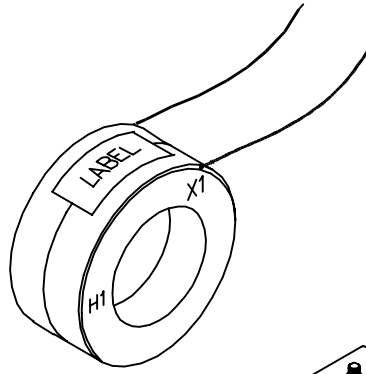
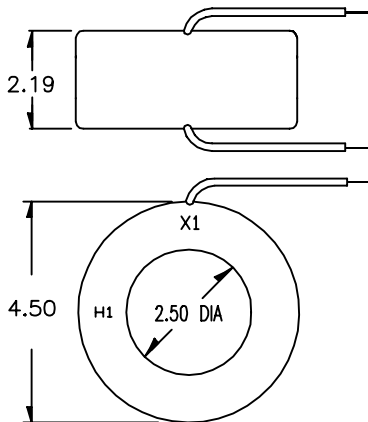
INSULATION LEVEL:
600 Volts, 10 kV BIL full wave.

REGULATORY AGENCY APPROVALS

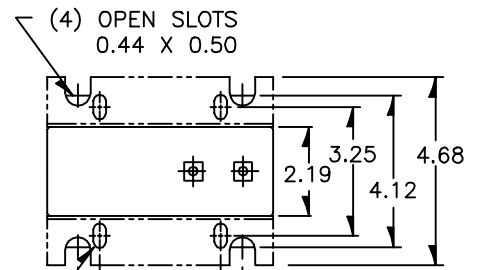


Manufactured to meet the requirements of ANSI/IEEE C57.13.
Classified by U.L. in accordance with IEC 44-1
Approved for revenue metering by Industry Canada. No. T-189(*)

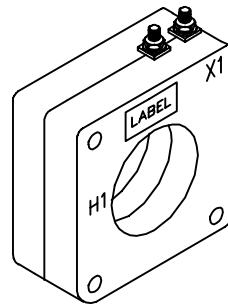
- Terminals are brass studs No. 8-32 UNC with one flatwasher, lockwasher and regular nut.
- Flexible leads are UL 1015 105°C. CSA approved, #16 AWG, 24" long.
- Non-standard lead length can be specified.
- Order mounting bracket kit 0221B00777 separately for Model 180SHT.
- Approximate weight 3.5 lbs.



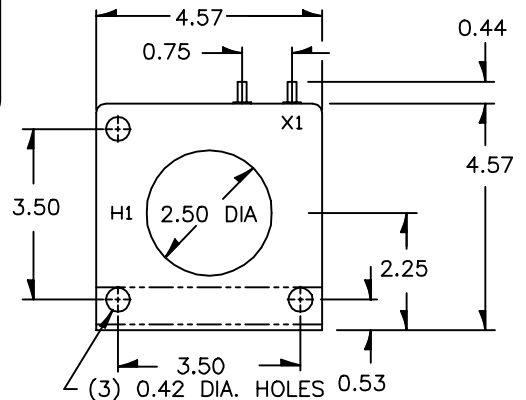
180 RL



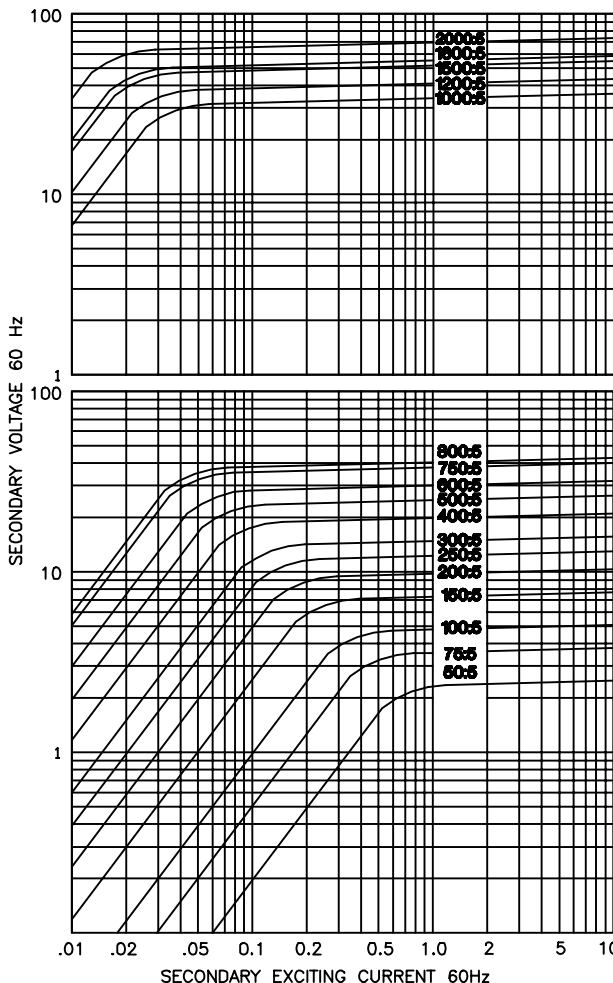
(4) 0.22 X 0.50 CLOSED SLOTS



180 SHT



EXCITATION CURVE



| CATALOG NUMBER | CURRENT RATIO | V.A. FOR ±1% CLASS | ANSI METERING CLASS AT 60 Hz | | | | | SECONDARY WINDING RESISTANCE (OHMS @ 75 °C) | CONTINUOUS THERMAL RATING FACTOR | |
|----------------|---------------|--------------------|------------------------------|------|------|------|------|---|----------------------------------|-------|
| | | | B0.1 | B0.2 | B0.5 | B0.9 | B1.8 | | @30°C | @55°C |
| 180**-500 | 50:5 | 1.5 | 4.8 | - | - | - | - | 0.014 | 2.0 | 2.0 |
| 180**-750 | 75:5 | 2.5 | 1.2 | 2.4 | - | - | - | 0.021 | 2.0 | 2.0 |
| 180**-101 | 100:5 | 2.5 | 1.2 | 2.4 | 4.8 | - | - | 0.033 | 2.0 | 2.0 |
| 180**-151 | 150:5 * | 5.0 | 0.6 | 0.6 | 2.4 | 4.8 | 4.8 | 0.050 | 2.0 | 2.0 |
| 180**-201 | 200:5 * | 12.5 | 0.3 | 0.3 | 1.2 | 2.4 | 4.8 | 0.065 | 2.0 | 2.0 |
| 180**-251 | 250:5 * | 12.5 | 0.3 | 0.3 | 0.6 | 1.2 | 2.4 | 0.084 | 2.0 | 1.5 |
| 180**-301 | 300:5 * | 25.0 | 0.3 | 0.3 | 0.6 | 1.2 | 2.4 | 0.101 | 2.0 | 1.5 |
| 180**-401 | 400:5 * | 50.0 | 0.3 | 0.3 | 0.3 | 0.6 | 1.2 | 0.130 | 1.5 | 1.33 |
| 180**-501 | 500:5 * | 50.0 | 0.3 | 0.3 | 0.3 | 0.6 | 0.6 | 0.189 | 1.5 | 1.0 |
| 180**-601 | 600:5 * | 50.0 | 0.3 | 0.3 | 0.3 | 0.3 | 0.6 | 0.226 | 1.33 | 1.0 |
| 180**-751 | 750:5 * | 50.0 | 0.3 | 0.3 | 0.3 | 0.3 | 0.6 | 0.283 | 1.0 | 0.8 |
| 180**-801 | 800:5 * | 75.0 | 0.3 | 0.3 | 0.3 | 0.3 | 0.3 | 0.302 | 1.0 | 0.8 |
| 180**-102 | 1000:5 * | 100.0 | 0.3 | 0.3 | 0.3 | 0.3 | 0.3 | 0.354 | 1.0 | 0.8 |
| 180**-122 | 1200:5 * | 125.0 | 0.3 | 0.3 | 0.3 | 0.3 | 0.3 | 0.425 | 1.0 | 0.8 |
| 180**-152 | 1500:5 * | 160.0 | 0.3 | 0.3 | 0.3 | 0.3 | 0.3 | 0.531 | 1.0 | 0.6 |
| 180**-162 | 1600:5 * | 175.0 | 0.3 | 0.3 | 0.3 | 0.3 | 0.3 | 0.566 | 1.0 | 0.6 |
| 180**-202 | 2000:5 * | 200.0 | 0.3 | 0.3 | 0.3 | 0.3 | 0.3 | 0.627 | 0.8 | 0.6 |

** NOTE: When ordering, prefix catalog number with model designation required, i.e. 180RL-301, 180SHT-301, etc.

CURRENT TRANSFORMERS

Models 181, 182, 183

Window Diameters
2.50", 1.25", 1.50"

APPLICATION:
Relaying and metering.

FREQUENCY:
50-400 Hz.

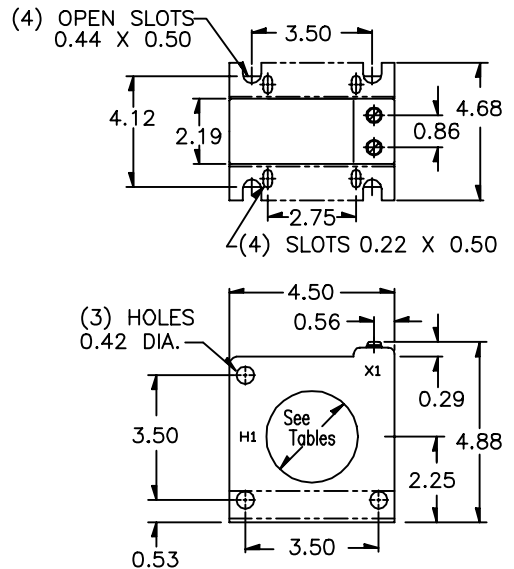
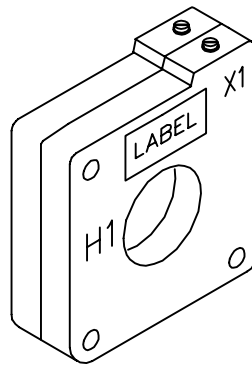
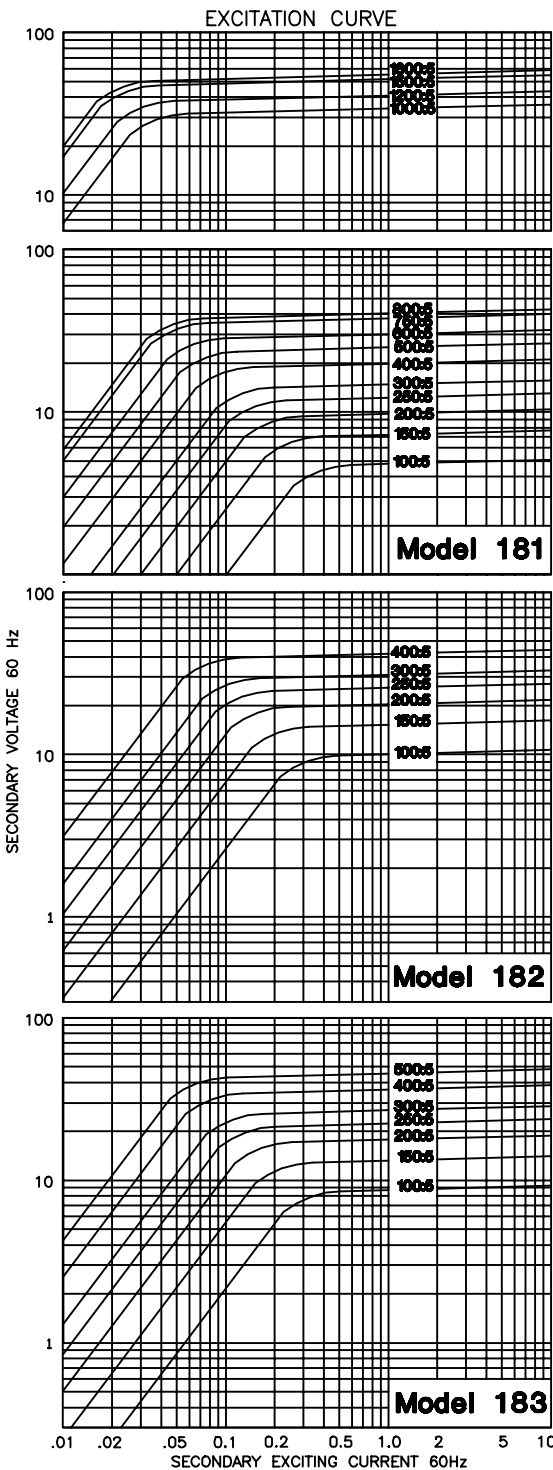
INSULATION LEVEL:
600 Volts, 10 kV BIL full wave.

REGULATORY AGENCY APPROVALS



Manufactured to meet the requirements of ANSI/IEEE C57.13.
Classified by U.L. in accordance with IEC 44-1

- Terminals are brass screws No. 10-32 slotted head with one flatwasher and lockwasher.
- Order mounting bracket kit 0221B00777 separately.



Model 181
Window Diameter 2.50

Approximate weight 3.5 lbs.

| CATALOG NUMBER | CURRENT RATIO | V.A. FOR ±1% CLASS | ANSI METERING CLASS AT 60 Hz | | | | | SECONDARY WINDING RESISTANCE (OHMS @ 75°C) | CONTINUOUS THERMAL RATING FACTOR | |
|----------------|---------------|--------------------|------------------------------|------|------|------|------|--|----------------------------------|------|
| | | | B0.1 | B0.2 | B0.5 | B0.9 | B1.8 | | 30°C | 55°C |
| 181 - 101 | 100:5 | 2.5 | 1.2 | 2.4 | 4.8 | - | - | 0.033 | 2.0 | 2.0 |
| 181 - 151 | 150:5 | 5.0 | 0.6 | 0.6 | 2.4 | 4.8 | 4.8 | 0.050 | 2.0 | 2.0 |
| 181 - 201 | 200:5 | 12.5 | 0.3 | 0.3 | 1.2 | 2.4 | 4.8 | 0.065 | 2.0 | 2.0 |
| 181 - 251 | 250:5 | 12.5 | 0.3 | 0.3 | 0.6 | 1.2 | 2.4 | 0.084 | 2.0 | 1.5 |
| 181 - 301 | 300:5 | 25.0 | 0.3 | 0.3 | 0.6 | 1.2 | 2.4 | 0.101 | 2.0 | 1.5 |
| 181 - 401 | 400:5 | 50.0 | 0.3 | 0.3 | 0.3 | 0.6 | 1.2 | 0.130 | 1.5 | 1.33 |
| 181 - 501 | 500:5 | 50.0 | 0.3 | 0.3 | 0.3 | 0.6 | 0.6 | 0.189 | 1.33 | 1.0 |
| 181 - 601 | 600:5 | 50.0 | 0.3 | 0.3 | 0.3 | 0.3 | 0.6 | 0.226 | 1.33 | 1.0 |
| 181 - 751 | 750:5 | 50.0 | 0.3 | 0.3 | 0.3 | 0.3 | 0.3 | 0.283 | 1.0 | 0.8 |
| 181 - 801 | 800:5 | 75.0 | 0.3 | 0.3 | 0.3 | 0.3 | 0.3 | 0.302 | 1.0 | 0.8 |
| 181 - 102 | 1000:5 | 100.0 | 0.3 | 0.3 | 0.3 | 0.3 | 0.3 | 0.354 | 1.0 | 0.8 |
| 181 - 122 | 1200:5 | 125.0 | 0.3 | 0.3 | 0.3 | 0.3 | 0.3 | 0.425 | 1.0 | 0.8 |
| 181 - 152 | 1500:5 | 160.0 | 0.3 | 0.3 | 0.3 | 0.3 | 0.3 | 0.531 | 1.0 | 0.6 |
| 181 - 162 | 1600:5 | 175.0 | 0.3 | 0.3 | 0.3 | 0.3 | 0.3 | 0.566 | 1.0 | 0.6 |

Model 182
Window Diameter 1.25

Approximate weight 5.5 lbs.

| CATALOG NUMBER | CURRENT RATIO | RELAY CLASS | ANSI METERING CLASS AT 60 Hz | | | | | SECONDARY WINDING RESISTANCE (OHMS @ 75°C) | CONTINUOUS THERMAL RATING FACTOR | |
|----------------|---------------|-------------|------------------------------|------|------|------|------|--|----------------------------------|------|
| | | | B0.1 | B0.2 | B0.5 | B0.9 | B1.8 | | 30°C | 55°C |
| 182 - 101 | 100:5 | - | 0.6 | 0.6 | 2.4 | 4.8 | - | 0.034 | 2.0 | 2.0 |
| 182 - 151 | 150:5 | C10 | 0.3 | 0.3 | 1.2 | 1.2 | 2.4 | 0.051 | 2.0 | 2.0 |
| 182 - 201 | 200:5 | C10 | 0.3 | 0.3 | 0.6 | 1.2 | 2.4 | 0.068 | 2.0 | 2.0 |
| 182 - 251 | 250:5 | C20 | 0.3 | 0.3 | 0.3 | 0.6 | 1.2 | 0.085 | 2.0 | 1.5 |
| 182 - 301 | 300:5 | C20 | 0.3 | 0.3 | 0.3 | 0.3 | 0.6 | 0.102 | 2.0 | 1.5 |
| 182 - 401 | 400:5 | C20 | 0.3 | 0.3 | 0.3 | 0.3 | 0.6 | 0.189 | 1.5 | 1.0 |

Model 183
Window Diameter 1.50

Approximate weight 4.75 lbs.

| CATALOG NUMBER | CURRENT RATIO | RELAY CLASS | ANSI METERING CLASS AT 60 Hz | | | | | SECONDARY WINDING RESISTANCE (OHMS @ 75°C) | CONTINUOUS THERMAL RATING FACTOR | |
|----------------|---------------|-------------|------------------------------|------|------|------|------|--|----------------------------------|------|
| | | | B0.1 | B0.2 | B0.5 | B0.9 | B1.8 | | 30°C | 55°C |
| 183 - 101 | 100:5 | - | 0.6 | 1.2 | 2.4 | 4.8 | - | 0.032 | 2.0 | 2.0 |
| 183 - 151 | 150:5 | - | 0.3 | 0.6 | 1.2 | 2.4 | 4.8 | 0.049 | 2.0 | 2.0 |
| 183 - 201 | 200:5 | C10 | 0.3 | 0.6 | 0.6 | 1.2 | 2.4 | 0.071 | 2.0 | 2.0 |
| 183 - 251 | 250:5 | C10 | 0.3 | 0.3 | 0.6 | 1.2 | 1.2 | 0.089 | 2.0 | 1.5 |
| 183 - 301 | 300:5 | C20 | 0.3 | 0.3 | 0.3 | 0.6 | 1.2 | 0.107 | 2.0 | 1.5 |
| 183 - 401 | 400:5 | C20 | 0.3 | 0.3 | 0.3 | 0.3 | 0.6 | 0.143 | 1.5 | 1.33 |
| 183 - 501 | 500:5 | C20 | 0.3 | 0.3 | 0.3 | 0.3 | 0.6 | 0.179 | 1.5 | 1.0 |

CURRENT TRANSFORMERS

Models
191, 192, 193, 194, 195

Window Diameters
1.25", 1.75", 2.13",
2.50", 3.06"

APPLICATION:
Relaying and metering.

FREQUENCY:
50-400 Hz.

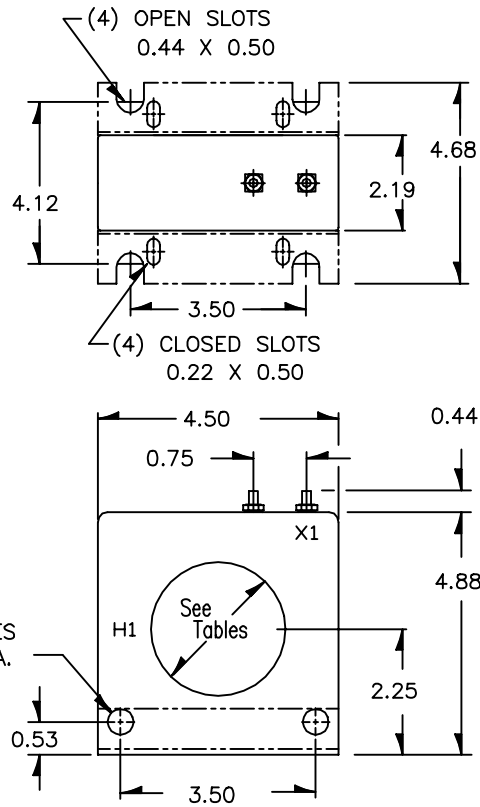
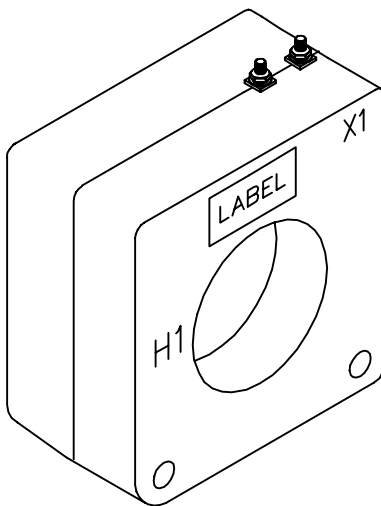
INSULATION LEVEL:
600 Volts, 10 kV BIL full wave.

- Terminals are brass studs No. 8-32 UNC with one flatwasher, lockwasher and regular nut.
- Order mounting bracket kit 0221B00777 separately.
- Multi-ratios available upon request.

REGULATORY AGENCY APPROVALS



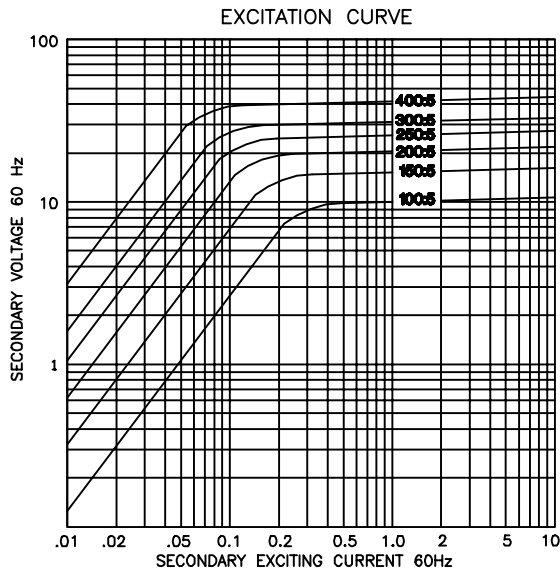
Manufactured to meet the requirements of ANSI/IEEE C57.13.
Classified by U.L. in accordance with IEC 44-1
Approved for revenue metering by Industry Canada. (*)



CURRENT TRANSFORMER MODEL 191

Window Diameter 1.25"

Approximate weight: 5.5 lbs.

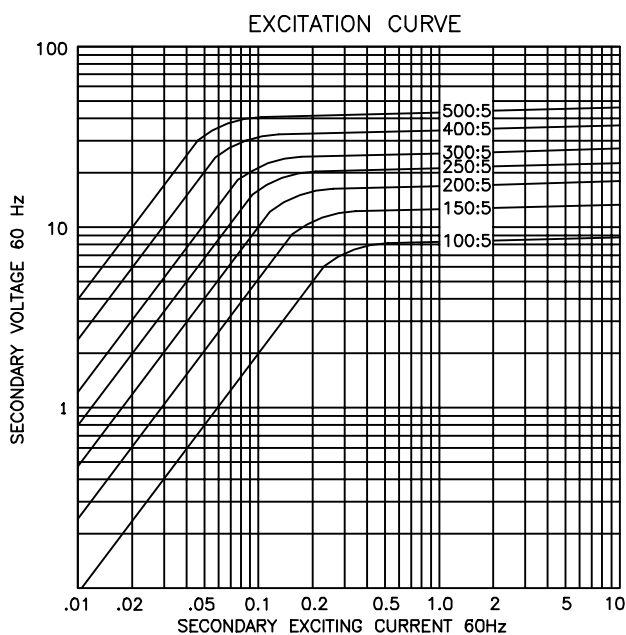


| CATALOG NUMBER | CURRENT RATIO | RELAY CLASS | ANSI METERING CLASS AT 60 Hz | | | | | SECONDARY WINDING RESISTANCE (OHMS @ 75 ° C) | CONTINUOUS THERMAL RATING FACTOR | |
|----------------|---------------|-------------|------------------------------|------|------|------|------|--|----------------------------------|-------|
| | | | B0.1 | B0.2 | B0.5 | B0.9 | B1.8 | | @30°C | @55°C |
| 191-101 | 100:5 | - | 0.6 | 0.6 | 2.4 | 4.8 | - | 0.034 | 2.0 | 2.0 |
| 191-151 | 150:5 | C10 | 0.3 | 0.3 | 1.2 | 1.2 | 2.4 | 0.051 | 2.0 | 2.0 |
| 191-201 | 200:5 | C10 | 0.3 | 0.3 | 0.6 | 1.2 | 2.4 | 0.068 | 2.0 | 2.0 |
| 191-251 | 250:5 | C20 | 0.3 | 0.3 | 0.3 | 0.6 | 1.2 | 0.085 | 2.0 | 1.5 |
| 191-301 | 300:5 | C20 | 0.3 | 0.3 | 0.3 | 0.3 | 0.6 | 0.126 | 1.5 | 1.33 |
| 191-401 | 400:5 | C20 | 0.3 | 0.3 | 0.3 | 0.3 | 0.6 | 0.189 | 1.5 | 1.0 |

CURRENT TRANSFORMER MODEL 192

Window Diameter 1.75"

Approximate weight: 4.75 lbs.



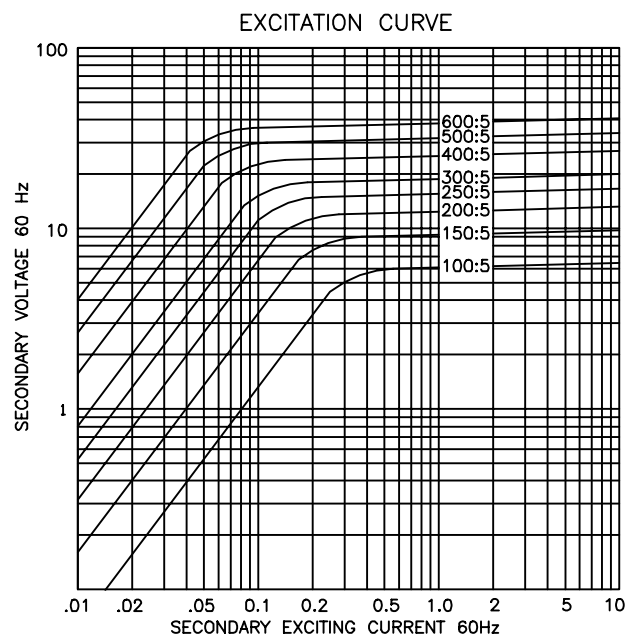
| CATALOG NUMBER | CURRENT RATIO | RELAY CLASS | ANSI METERING CLASS AT 60 Hz | | | | | SECONDARY WINDING RESISTANCE (OHMS @ 75 °C) | CONTINUOUS THERMAL RATING FACTOR | |
|----------------|---------------|-------------|------------------------------|------|------|------|------|---|----------------------------------|-------|
| | | | B0.1 | B0.2 | B0.5 | B0.9 | B1.8 | | @30°C | @55°C |
| 192-101 | 100:5 * | — | 0.6 | 1.2 | 2.4 | 4.8 | — | 0.031 | 2.0 | 2.0 |
| 192-151 | 150:5 * | — | 0.6 | 0.6 | 1.2 | 2.4 | 4.8 | 0.058 | 2.0 | 2.0 |
| 192-201 | 200:5 * | C10 | 0.3 | 0.3 | 0.6 | 1.2 | 2.4 | 0.063 | 2.0 | 1.5 |
| 192-251 | 250:5 * | C10 | 0.3 | 0.3 | 0.3 | 0.6 | 1.2 | 0.097 | 2.0 | 1.5 |
| 192-301 | 300:5 * | C10 | 0.3 | 0.3 | 0.3 | 0.6 | 1.2 | 0.131 | 2.0 | 1.33 |
| 192-401 | 400:5 * | C20 | 0.3 | 0.3 | 0.3 | 0.3 | 0.6 | 0.174 | 1.5 | 1.0 |
| 192-501 | 500:5 * | C20 | 0.3 | 0.3 | 0.3 | 0.3 | 0.6 | 0.218 | 1.5 | 1.0 |

* Industry Canada Approval No. T-195

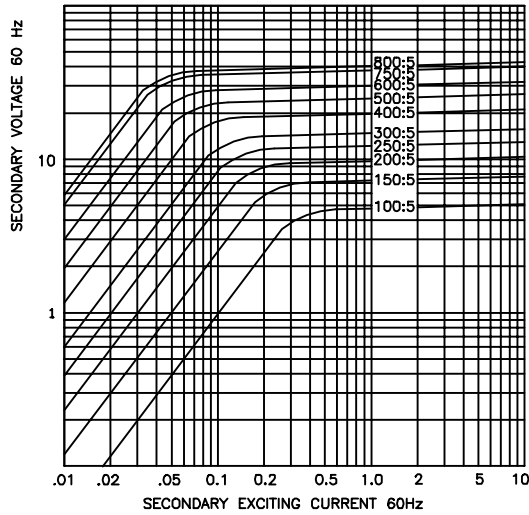
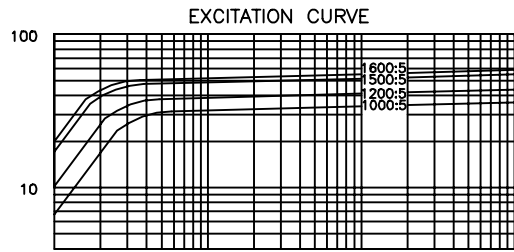
CURRENT TRANSFORMER MODEL 193

Window Diameter 2.13"

Approximate weight: 4.25 lbs.



| CATALOG NUMBER | CURRENT RATIO | RELAY CLASS | ANSI METERING CLASS AT 60 Hz | | | | | SECONDARY WINDING RESISTANCE (OHMS @ 75 °C) | CONTINUOUS THERMAL RATING FACTOR | |
|----------------|---------------|-------------|------------------------------|------|------|------|------|---|----------------------------------|-------|
| | | | B0.1 | B0.2 | B0.5 | B0.9 | B1.8 | | @30°C | @55°C |
| 193-101 | 100:5 | — | 1.2 | 1.2 | 4.8 | — | — | 0.024 | 2.0 | 2.0 |
| 193-151 | 150:5 | — | 0.6 | 0.6 | 1.2 | 2.4 | 4.8 | 0.038 | 2.0 | 2.0 |
| 193-201 | 200:5 | — | 0.3 | 0.3 | 1.2 | 1.2 | 2.4 | 0.071 | 2.0 | 2.0 |
| 193-251 | 250:5 | C10 | 0.3 | 0.3 | 0.6 | 1.2 | 2.4 | 0.072 | 2.0 | 1.5 |
| 193-301 | 300:5 | C10 | 0.3 | 0.3 | 0.3 | 0.6 | 1.2 | 0.082 | 2.0 | 1.5 |
| 193-401 | 400:5 | C10 | 0.3 | 0.3 | 0.3 | 0.3 | 0.6 | 0.142 | 1.5 | 1.33 |
| 193-501 | 500:5 | C20 | 0.3 | 0.3 | 0.3 | 0.3 | 0.6 | 0.159 | 1.5 | 1.33 |
| 193-601 | 600:5 | C20 | 0.3 | 0.3 | 0.3 | 0.3 | 0.6 | 0.191 | 1.5 | 1.0 |



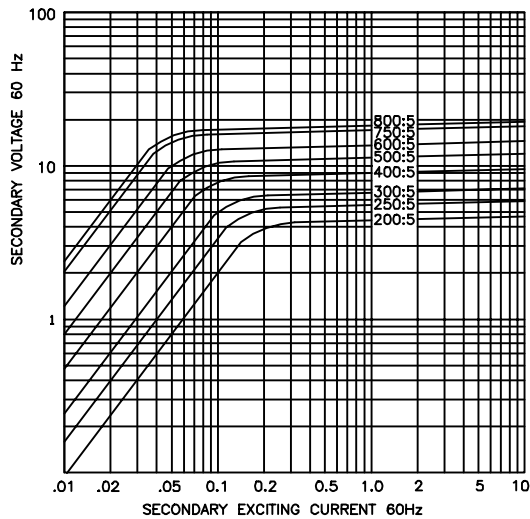
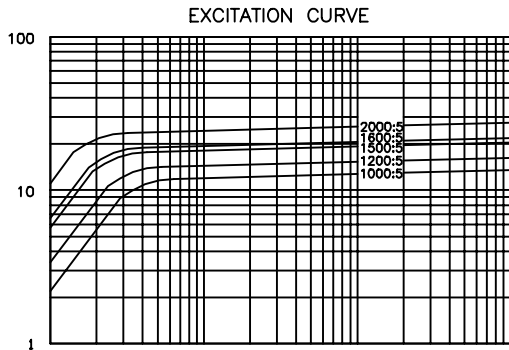
CURRENT TRANSFORMER MODEL 194

Window Diameter 2.50"

Approximate weight: 3.5 lbs.

| CATALOG NUMBER | CURRENT RATIO | RELAY CLASS | ANSI METERING CLASS AT 60 Hz | | | | | WINDING RESISTANCE (OHMS @ 75 ° C) | CONTINUOUS THERMAL RATING FACTOR | |
|----------------|---------------|-------------|------------------------------|------|------|------|------|------------------------------------|----------------------------------|-------|
| | | | B0.1 | B0.2 | B0.5 | B0.9 | B1.8 | | @30°C | @55°C |
| 194-101 | 100:5 | - | 1.2 | 2.4 | 4.8 | - | - | 0.033 | 2.0 | 2.0 |
| 194-151 | 150:5 * | - | 0.6 | 0.6 | 2.4 | 4.8 | 4.8 | 0.050 | 2.0 | 2.0 |
| 194-201 | 200:5 * | - | 0.3 | 0.3 | 1.2 | 2.4 | 4.8 | 0.065 | 2.0 | 2.0 |
| 194-251 | 250:5 * | - | 0.3 | 0.3 | 0.6 | 1.2 | 2.4 | 0.084 | 2.0 | 1.5 |
| 194-301 | 300:5 * | - | 0.3 | 0.3 | 0.6 | 1.2 | 2.4 | 0.101 | 2.0 | 1.5 |
| 194-401 | 400:5 * | C10 | 0.3 | 0.3 | 0.3 | 0.6 | 1.2 | 0.104 | 2.0 | 1.5 |
| 194-501 | 500:5 * | C10 | 0.3 | 0.3 | 0.3 | 0.3 | 0.6 | 0.133 | 1.5 | 1.0 |
| 194-601 | 600:5 * | C10 | 0.3 | 0.3 | 0.3 | 0.3 | 0.6 | 0.180 | 1.5 | 1.0 |
| 194-751 | 750:5 * | C10 | 0.3 | 0.3 | 0.3 | 0.3 | 0.3 | 0.283 | 1.0 | 0.8 |
| 194-801 | 800:5 * | C10 | 0.3 | 0.3 | 0.3 | 0.3 | 0.3 | 0.302 | 1.0 | 0.8 |
| 194-102 | 1000:5 * | - | 0.3 | 0.3 | 0.3 | 0.3 | 0.3 | 0.354 | 1.0 | 0.8 |
| 194-122 | 1200:5 * | - | 0.3 | 0.3 | 0.3 | 0.3 | 0.3 | 0.425 | 1.0 | 0.8 |
| 194-152 | 1500:5 * | - | 0.3 | 0.3 | 0.3 | 0.3 | 0.3 | 0.531 | 1.0 | 0.6 |
| 194-162 | 1600:5 * | - | 0.3 | 0.3 | 0.3 | 0.3 | 0.3 | 0.566 | 0.8 | 0.6 |

* Industry Canada Approval No. T-196



CURRENT TRANSFORMER MODEL 195

Window Diameter 3.06"

Approximate weight: 2.25 lbs.

| CATALOG NUMBER | CURRENT RATIO | ANSI METERING CLASS AT 60 Hz | | | | | SECONDARY WINDING RESISTANCE (OHMS @ 75 ° C) | CONTINUOUS THERMAL RATING FACTOR | |
|----------------|---------------|------------------------------|------|------|------|------|--|----------------------------------|-------|
| | | B0.1 | B0.2 | B0.5 | B0.9 | B1.8 | | @30°C | @55°C |
| 195-201 | 200:5 | 0.6 | 0.6 | 2.4 | 4.8 | 4.8 | 0.040 | 2.0 | 2.0 |
| 195-251 | 250:5 | 0.3 | 0.6 | 1.2 | 2.4 | 4.8 | 0.069 | 2.0 | 2.0 |
| 195-301 | 300:5 | 0.3 | 0.6 | 1.2 | 2.4 | 2.4 | 0.068 | 2.0 | 2.0 |
| 195-401 | 400:5 | 0.3 | 0.3 | 0.6 | 1.2 | 2.4 | 0.110 | 2.0 | 1.5 |
| 195-501 | 500:5 | 0.3 | 0.3 | 0.3 | 0.6 | 1.2 | 0.105 | 2.0 | 1.5 |
| 195-601 | 600:5 | 0.3 | 0.3 | 0.3 | 0.6 | 0.6 | 0.151 | 1.5 | 1.33 |
| 195-751 | 750:5 | 0.3 | 0.3 | 0.3 | 0.6 | 0.6 | 0.197 | 1.5 | 1.0 |
| 195-801 | 800:5 | 0.3 | 0.3 | 0.3 | 0.6 | 0.6 | 0.265 | 1.0 | 0.8 |
| 195-102 | 1000:5 | 0.3 | 0.3 | 0.3 | 0.3 | 0.6 | 0.209 | 1.0 | 0.8 |
| 195-122 | 1200:5 | 0.3 | 0.3 | 0.3 | 0.3 | 0.6 | 0.301 | 1.0 | 0.6 |
| 195-152 | 1500:5 | 0.3 | 0.3 | 0.3 | 0.3 | 0.3 | 0.471 | 1.0 | 0.6 |
| 195-162 | 1600:5 | 0.3 | 0.3 | 0.3 | 0.3 | 0.3 | 0.502 | 1.0 | 0.6 |
| 195-202 | 2000:5 | 0.3 | 0.3 | 0.3 | 0.3 | 0.3 | 0.782 | 0.6 | 0.6 |

CURRENT TRANSFORMERS

Models

200, 201, 202, 203, 204

Window Diameters
2.50", 3.50", 4.88",
5.25", 4.50"

APPLICATION:
Relaying and metering.

FREQUENCY:
50-400 Hz.

INSULATION LEVEL:
600 Volts, 10 kV BIL full wave.

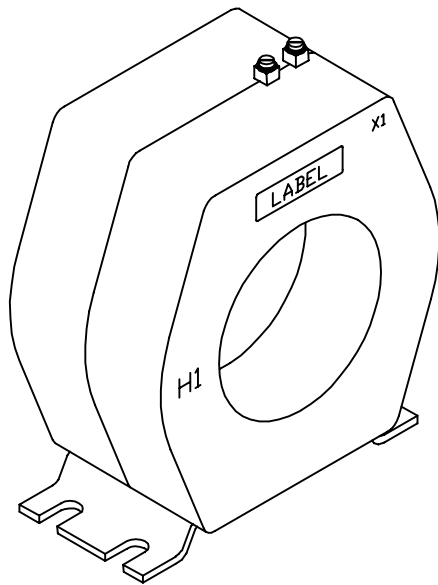
- Terminals are brass screws No. 10-32 UNF with one flatwasher and lockwasher.
- Multi-ratios available on request.

REGULATORY AGENCY APPROVALS

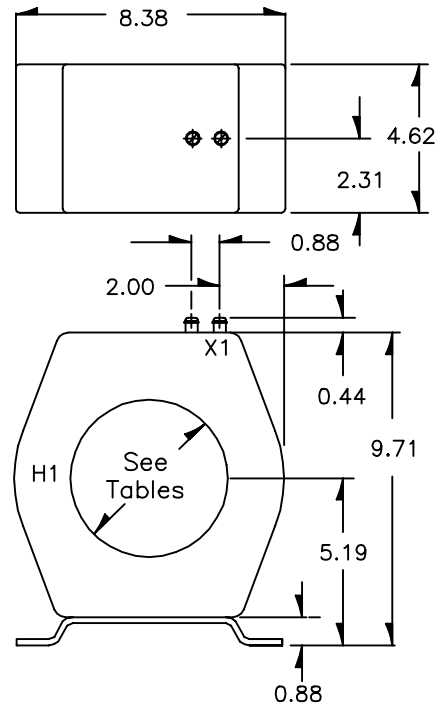
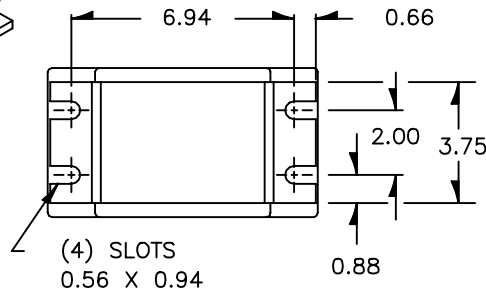


Manufactured to meet the requirements of ANSI/IEEE C57.13.
Classified by U.L. in accordance with IEC 44-1

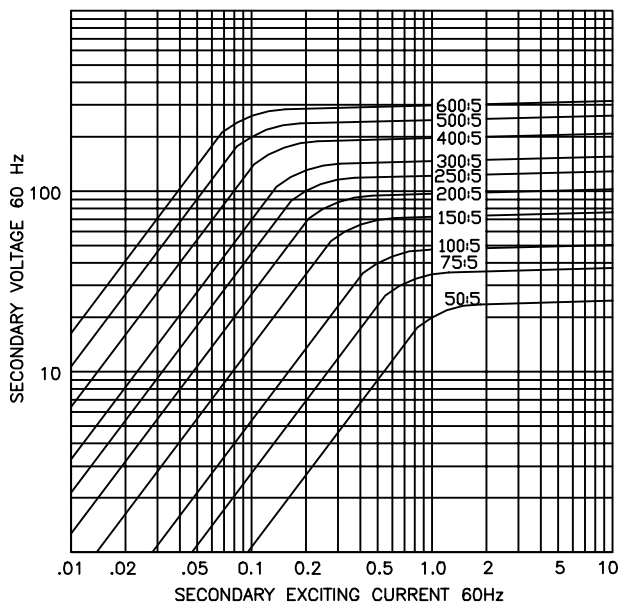
Approved for revenue metering by Industry Canada. (*)



Base Plate View



EXCITATION CURVE



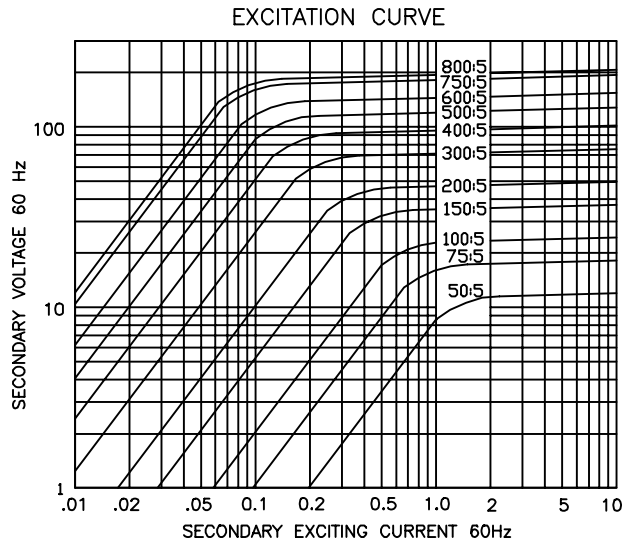
CURRENT TRANSFORMER MODEL 200

Window Diameter 2.50"

Approximate weight: 46 lbs.

| CATALOG NUMBER | CURRENT RATIO | RELAY CLASS | ANSI METERING CLASS AT 60 Hz | | | | | SECONDARY WINDING RESISTANCE (OHMS @ 75°C) | CONTINUOUS THERMAL RATING FACTOR | |
|----------------|---------------|-------------|------------------------------|------|------|------|------|--|----------------------------------|--------|
| | | | B0.1 | B0.2 | B0.5 | B0.9 | B1.8 | | @ 30°C | @ 55°C |
| 200-500 | 50:5 | C20 | 2.4 | 2.4 | 4.8 | - | - | 0.026 | 2.0 | 2.0 |
| 200-750 | 75:5 | C20 | 1.2 | 1.2 | 2.4 | 4.8 | - | 0.039 | 2.0 | 2.0 |
| 200-101 | 100:5 * | C20 | 0.6 | 1.2 | 1.2 | 2.4 | 4.8 | 0.051 | 2.0 | 2.0 |
| 200-151 | 150:5 * | C50 | 0.3 | 0.6 | 0.6 | 1.2 | 2.4 | 0.077 | 2.0 | 2.0 |
| 200-201 | 200:5 * | C50 | 0.3 | 0.3 | 0.6 | 0.6 | 1.2 | 0.103 | 2.0 | 2.0 |
| 200-251 | 250:5 * | C100 | 0.3 | 0.3 | 0.3 | 0.6 | 1.2 | 0.129 | 2.0 | 2.0 |
| 200-301 | 300:5 * | C100 | 0.3 | 0.3 | 0.3 | 0.3 | 0.6 | 0.154 | 2.0 | 2.0 |
| 200-401 | 400:5 * | C200 | 0.3 | 0.3 | 0.3 | 0.3 | 0.3 | 0.206 | 2.0 | 1.5 |
| 200-501 | 500:5 * | C200 | 0.3 | 0.3 | 0.3 | 0.3 | 0.3 | 0.408 | 1.5 | 1.5 |
| 200-601 | 600:5 * | C200 | 0.3 | 0.3 | 0.3 | 0.3 | 0.3 | 0.489 | 1.5 | 1.0 |

* Industry Canada Approval No. T-197



CURRENT TRANSFORMER MODEL 201

Window Diameter 3.50"

Approximate weight: 43 lbs.

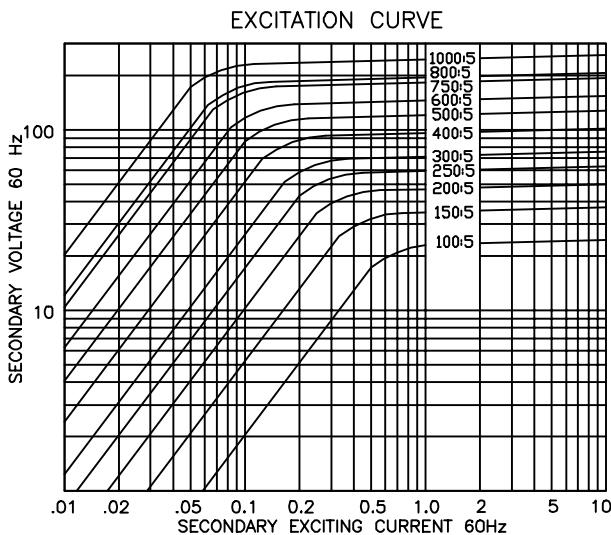
| CATALOG NUMBER | CURRENT RATIO | RELAY CLASS | ANSI METERING CLASS AT 60 Hz | | | | | SECONDARY WINDING RESISTANCE (OHMS @ 75 °C) | CONTINUOUS THERMAL RATING FACTOR | |
|----------------|---------------|-------------|------------------------------|------|------|------|------|---|----------------------------------|-------|
| | | | B0.1 | B0.2 | B0.5 | B0.9 | B1.8 | | @30°C | @55°C |
| 201-500 | 50:5 | C10 | 2.4 | 4.8 | — | — | — | 0.024 | 2.0 | 2.0 |
| 201-750 | 75:5 | C20 | 1.2 | 2.4 | 4.8 | 4.8 | — | 0.036 | 2.0 | 2.0 |
| 201-101 | 100:5 * | C20 | 0.6 | 1.2 | 2.4 | 4.8 | 4.8 | 0.047 | 2.0 | 2.0 |
| 201-151 | 150:5 * | C20 | 0.3 | 0.6 | 1.2 | 2.4 | 2.4 | 0.071 | 2.0 | 2.0 |
| 201-201 | 200:5 * | C50 | 0.3 | 0.3 | 0.6 | 1.2 | 2.4 | 0.095 | 2.0 | 2.0 |
| 201-251 | 250:5 * | C50 | 0.3 | 0.3 | 0.6 | 0.6 | 1.2 | 0.119 | 2.0 | 2.0 |
| 201-301 | 300:5 * | C100 | 0.3 | 0.3 | 0.3 | 0.6 | 1.2 | 0.142 | 2.0 | 2.0 |
| 201-401 | 400:5 * | C100 | 0.3 | 0.3 | 0.3 | 0.3 | 0.6 | 0.190 | 2.0 | 2.0 |
| 201-501 | 500:5 * | C100 | 0.3 | 0.3 | 0.3 | 0.3 | 0.3 | 0.237 | 2.0 | 2.0 |
| 201-601 | 600:5 * | C200 | 0.3 | 0.3 | 0.3 | 0.3 | 0.3 | 0.285 | 2.0 | 2.0 |
| 201-751 | 750:5 * | C200 | 0.3 | 0.3 | 0.3 | 0.3 | 0.3 | 0.448 | 2.0 | 1.5 |
| 201-801 | 800:5 * | C200 | 0.3 | 0.3 | 0.3 | 0.3 | 0.3 | 0.478 | 2.0 | 1.5 |

* Industry Canada Approval No. T-198

CURRENT TRANSFORMER MODEL 202

Window Diameter 4.88"

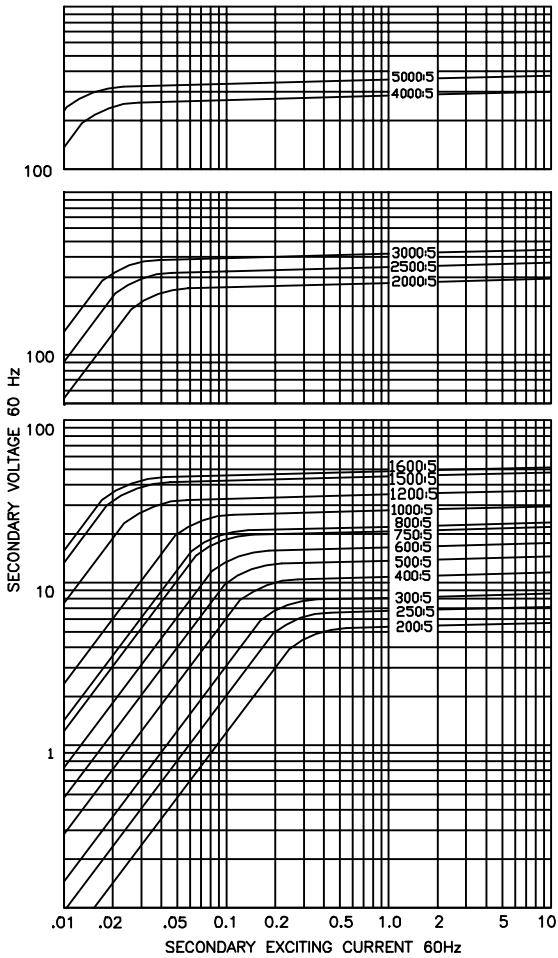
Approximate weight: 34 lbs.



| CATALOG NUMBER | CURRENT RATIO | RELAY CLASS | ANSI METERING CLASS AT 60 Hz | | | | | SECONDARY WINDING RESISTANCE (OHMS @ 75 °C) | CONTINUOUS THERMAL RATING FACTOR | |
|----------------|---------------|-------------|------------------------------|------|------|------|------|---|----------------------------------|-------|
| | | | B0.1 | B0.2 | B0.5 | B0.9 | B1.8 | | @30°C | @55°C |
| 202-101 | 100:5 | C10 | 1.2 | 2.4 | 4.8 | 4.8 | — | 0.042 | 2.0 | 2.0 |
| 202-151 | 150:5 * | C20 | 0.6 | 1.2 | 2.4 | 2.4 | 4.8 | 0.063 | 2.0 | 2.0 |
| 202-201 | 200:5 * | C20 | 0.6 | 0.6 | 1.2 | 1.2 | 2.4 | 0.084 | 2.0 | 2.0 |
| 202-251 | 250:5 * | C50 | 0.3 | 0.6 | 0.6 | 1.2 | 2.4 | 0.105 | 2.0 | 2.0 |
| 202-301 | 300:5 * | C50 | 0.3 | 0.3 | 0.6 | 0.6 | 1.2 | 0.126 | 2.0 | 2.0 |
| 202-401 | 400:5 * | C50 | 0.3 | 0.3 | 0.3 | 0.6 | 0.6 | 0.168 | 2.0 | 2.0 |
| 202-501 | 500:5 * | C100 | 0.3 | 0.3 | 0.3 | 0.6 | 0.6 | 0.211 | 2.0 | 2.0 |
| 202-601 | 600:5 * | C100 | 0.3 | 0.3 | 0.3 | 0.3 | 0.6 | 0.253 | 2.0 | 2.0 |
| 202-751 | 750:5 * | C100 | 0.3 | 0.3 | 0.3 | 0.3 | 0.3 | 0.316 | 2.0 | 1.5 |
| 202-801 | 800:5 * | C100 | 0.3 | 0.3 | 0.3 | 0.3 | 0.3 | 0.337 | 2.0 | 1.5 |
| 202-102 | 1000:5 * | C200 | 0.3 | 0.3 | 0.3 | 0.3 | 0.3 | 0.421 | 2.0 | 1.5 |

* Industry Canada Approval No. T-199

EXCITATION CURVE



CURRENT TRANSFORMER MODEL 203

Window Diameter 5.25"

Approximate weight: 26 lbs.

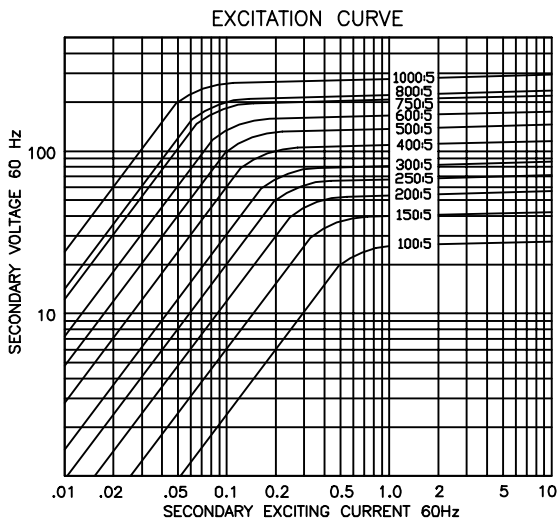
| CATALOG NUMBER | CURRENT RATIO | RELAY CLASS | ANSI METERING CLASS AT 60 Hz | | | | | SECONDARY WINDING RESISTANCE (OHMS @ 75 °C) | CONTINUOUS THERMAL RATING FACTOR | |
|----------------|---------------|-------------|------------------------------|---------|------|------|------|---|----------------------------------|-------|
| | | | B0.1 | B0.2 | B0.5 | B0.9 | B1.8 | | @30°C | @55°C |
| | | | 203-201 | 200:5 * | C20 | 0.6 | 0.6 | | 1.2 | 2.4 |
| 203-251 | 250:5 * | C20 | 0.3 | 0.6 | 1.2 | 1.2 | 2.4 | 0.081 | 2.0 | 2.0 |
| 203-301 | 300:5 * | C50 | 0.3 | 0.3 | 0.6 | 1.2 | 1.2 | 0.097 | 2.0 | 2.0 |
| 203-401 | 400:5 * | C50 | 0.3 | 0.3 | 0.3 | 0.6 | 1.2 | 0.129 | 2.0 | 2.0 |
| 203-501 | 500:5 * | C50 | 0.3 | 0.3 | 0.3 | 0.3 | 0.6 | 0.161 | 2.0 | 2.0 |
| 203-601 | 600:5 * | C100 | 0.3 | 0.3 | 0.3 | 0.3 | 0.6 | 0.193 | 2.0 | 2.0 |
| 203-751 | 750:5 * | C100 | 0.3 | 0.3 | 0.3 | 0.3 | 0.3 | 0.242 | 2.0 | 2.0 |
| 203-801 | 800:5 * | C100 | 0.3 | 0.3 | 0.3 | 0.3 | 0.3 | 0.324 | 2.0 | 2.0 |
| 203-102 | 1000:5 * | C100 | 0.3 | 0.3 | 0.3 | 0.3 | 0.3 | 0.405 | 2.0 | 1.5 |
| 203-122 | 1200:5 * | C200 | 0.3 | 0.3 | 0.3 | 0.3 | 0.3 | 0.486 | 2.0 | 1.5 |
| 203-152 | 1500:5 * | C200 | 0.3 | 0.3 | 0.3 | 0.3 | 0.3 | 0.961 | 1.33 | 1.0 |
| 203-162 | 1600:5 * | C200 | 0.3 | 0.3 | 0.3 | 0.3 | 0.3 | 1.292 | 1.33 | 1.0 |
| 203-202 | 2000:5 * | C200 | 0.3 | 0.3 | 0.3 | 0.3 | 0.3 | 1.194 | 1.0 | 0.8 |
| 203-252 | 2500:5 * | C200 | 0.3 | 0.3 | 0.3 | 0.3 | 0.3 | 1.493 | 1.0 | 0.8 |
| 203-302 | 3000:5 * | C200 | 0.3 | 0.3 | 0.3 | 0.3 | 0.3 | 1.791 | 1.0 | 0.6 |
| 203-402 | 4000:5 * | C100 | 0.3 | 0.3 | 0.3 | 0.3 | 0.3 | 2.214 | 1.0 | 0.6 |
| 203-502 | 5000:5 * | C100 | 0.3 | 0.3 | 0.3 | 0.3 | 0.3 | 3.472 | 0.8 | 0.3 |

* Industry Canada Approval No. T-200

CURRENT TRANSFORMER MODEL 204

Window Diameter 4.50"

Approximate weight: 35 lbs.



| CATALOG NUMBER | CURRENT RATIO | RELAY CLASS | ANSI METERING CLASS AT 60 Hz | | | | | SECONDARY WINDING RESISTANCE (OHMS @ 75 °C) | CONTINUOUS THERMAL RATING FACTOR | |
|----------------|---------------|-------------|------------------------------|-------|------|------|------|---|----------------------------------|-------|
| | | | B0.1 | B0.2 | B0.5 | B0.9 | B1.8 | | @30°C | @55°C |
| | | | 204-101 | 100:5 | C20 | 1.2 | 2.4 | | 2.4 | 4.8 |
| 204-151 | 150:5 * | C20 | 0.6 | 0.6 | 1.2 | 2.4 | 4.8 | 0.065 | 2.0 | 2.0 |
| 204-201 | 200:5 * | C20 | 0.3 | 0.6 | 1.2 | 1.2 | 2.4 | 0.087 | 2.0 | 2.0 |
| 204-251 | 250:5 * | C50 | 0.3 | 0.3 | 0.6 | 1.2 | 1.2 | 0.109 | 2.0 | 2.0 |
| 204-301 | 300:5 * | C50 | 0.3 | 0.3 | 0.6 | 0.6 | 1.2 | 0.130 | 2.0 | 2.0 |
| 204-401 | 400:5 * | C100 | 0.3 | 0.3 | 0.3 | 0.6 | 0.6 | 0.174 | 2.0 | 2.0 |
| 204-501 | 500:5 * | C100 | 0.3 | 0.3 | 0.3 | 0.3 | 0.6 | 0.217 | 2.0 | 2.0 |
| 204-601 | 600:5 * | C100 | 0.3 | 0.3 | 0.3 | 0.3 | 0.3 | 0.261 | 2.0 | 2.0 |
| 204-751 | 750:5 * | C200 | 0.3 | 0.3 | 0.3 | 0.3 | 0.3 | 0.326 | 2.0 | 1.5 |
| 204-801 | 800:5 * | C200 | 0.3 | 0.3 | 0.3 | 0.3 | 0.3 | 0.348 | 2.0 | 1.5 |
| 204-102 | 1000:5 * | C200 | 0.3 | 0.3 | 0.3 | 0.3 | 0.3 | 0.435 | 2.0 | 1.5 |

* Industry Canada Approval No. T-201

CURRENT TRANSFORMER

Model 203MR

Window Diameter 5.25"

REGULATORY AGENCY APPROVALS



Manufactured to meet the requirements of ANSI/IEEE C57.13.

Classified by U.L. in accordance with IEC 44-1

Approved for revenue metering by Industry Canada. No. T-200

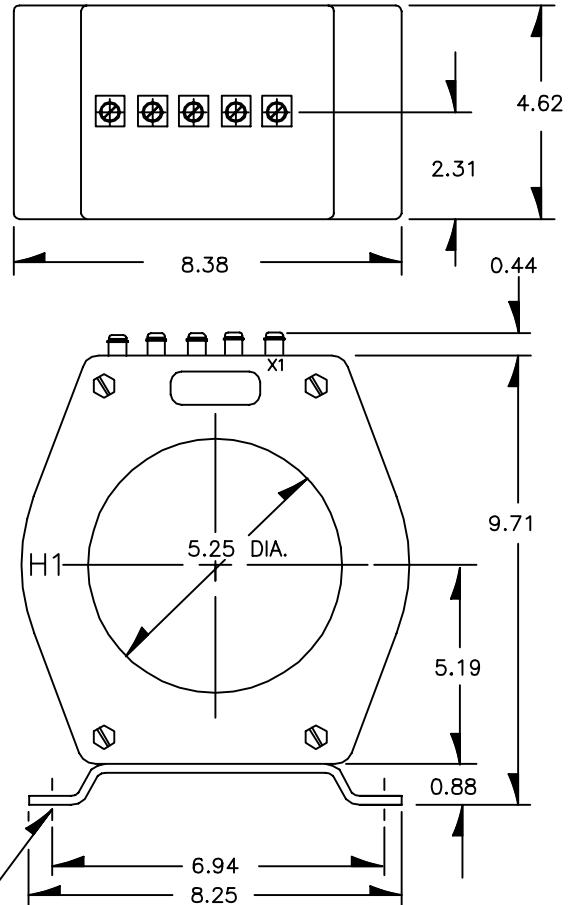
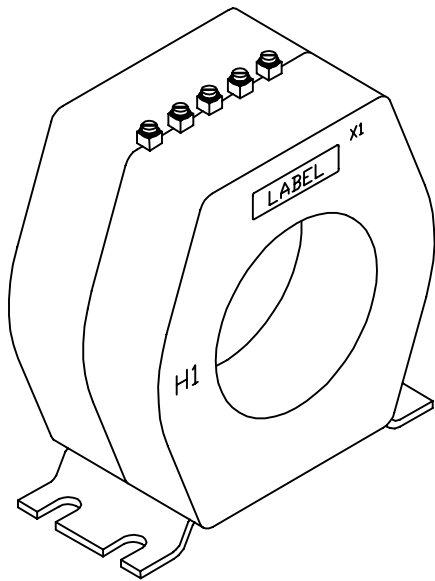
APPLICATION:
Relaying.

FREQUENCY:
50-400Hz

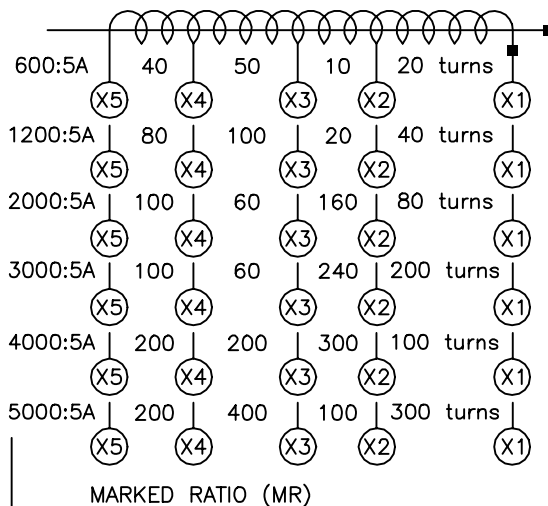
INSULATION LEVEL:
0.6 kV, BIL 10 kV full wave.

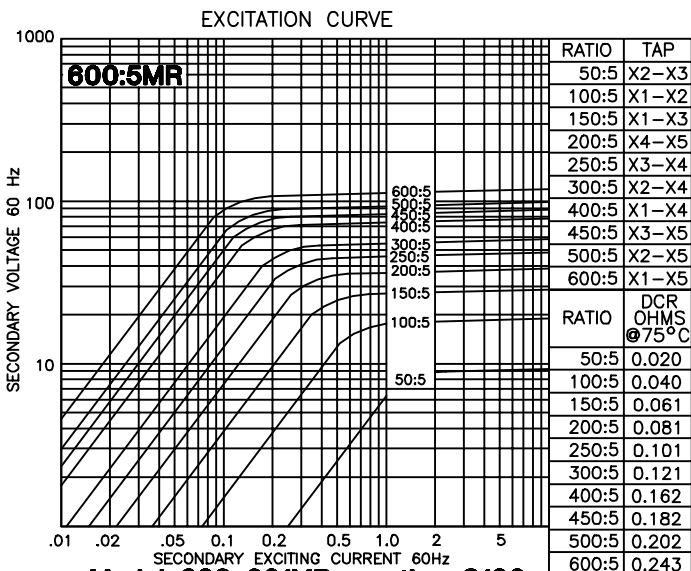
CONTINUOUS THERMAL CURRENT RATING FACTOR:
See TRF at curves.

- Terminals are brass screws No.10-32 with one flatwasher and lockwasher.
- The transformer winding is arranged so that the turns are fully distributed between all taps.
- Approximate weight 28 lbs.

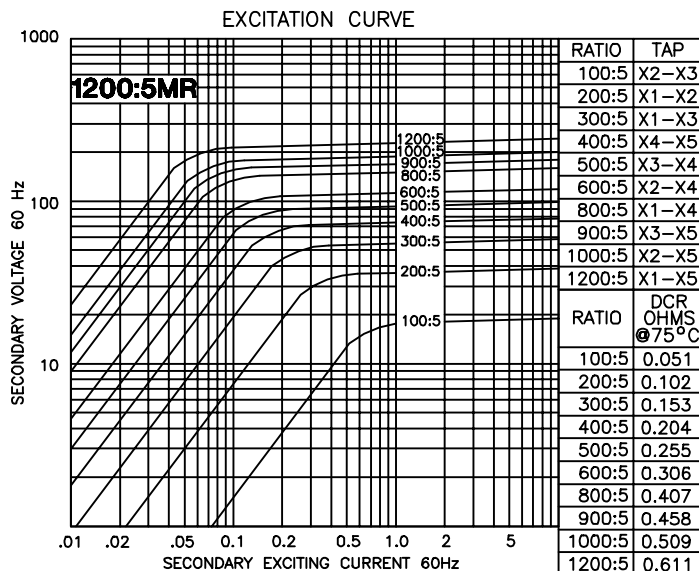


(4) OPEN SLOTS
0.56 X 0.94

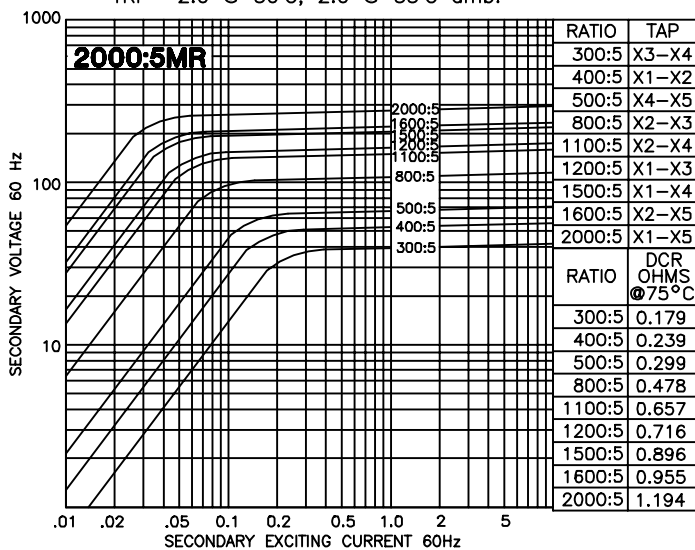




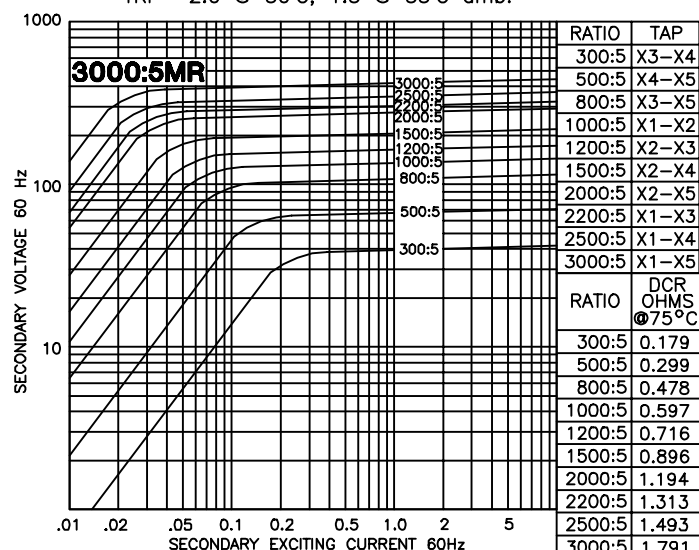
Model 203-601MR - rating C100
TRF= 2.0 @ 30°C, 2.0 @ 55°C amb.



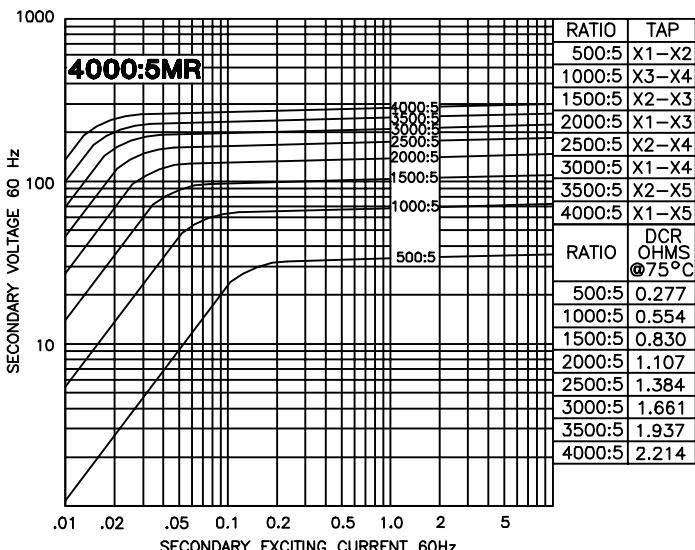
Model 203-122MR - rating C200
TRF= 2.0 @ 30°C, 1.5 @ 55°C amb.



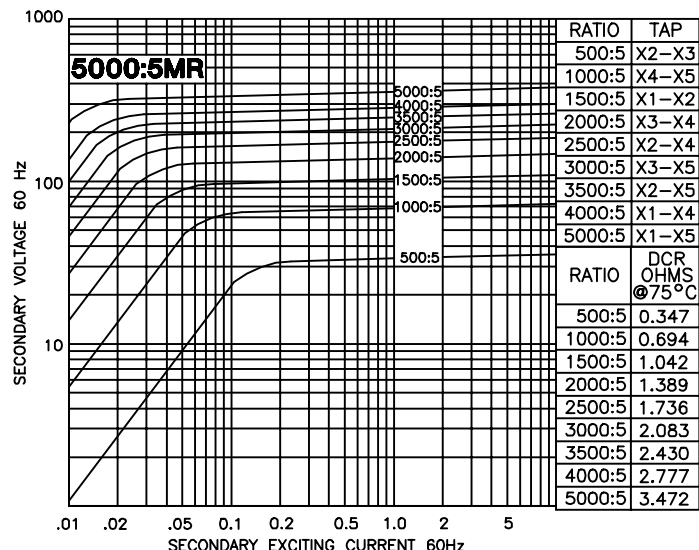
Model 203-202MR - rating C100
TRF= 1.0 @ 30°C, 0.8 @ 55°C amb.



Model 203-302MR - rating C200
TRF= 1.0 @ 30°C, 0.6 @ 55°C amb.



Model 203-402MR - rating C100
TRF= 1.0 @ 30°C, 0.6 @ 55°C amb.



Model 203-502MR - rating C100
TRF= 0.8 @ 30°C, 0.3 @ 55°C amb.

CURRENT TRANSFORMERS

Models
296, 297, 298, 299, 300

Window Diameters
1.50", 2.25", 3.00",
3.38", 3.75"

APPLICATION:
Relaying and metering.

FREQUENCY:
50-400 Hz.

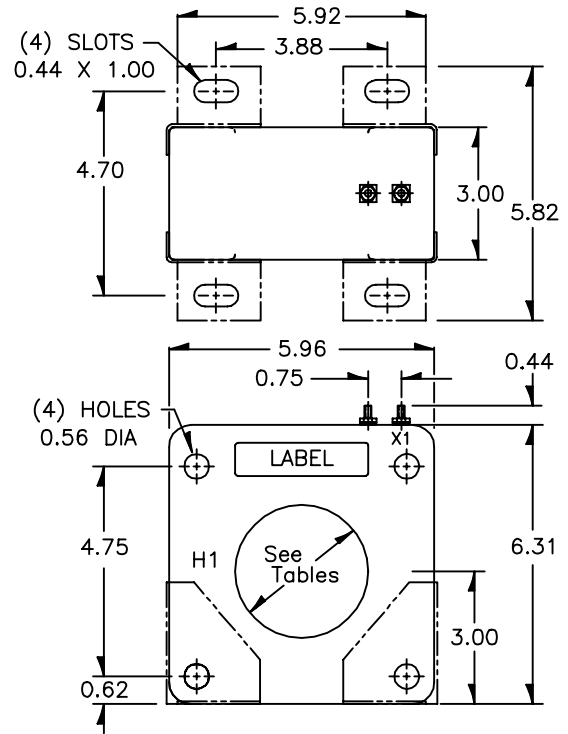
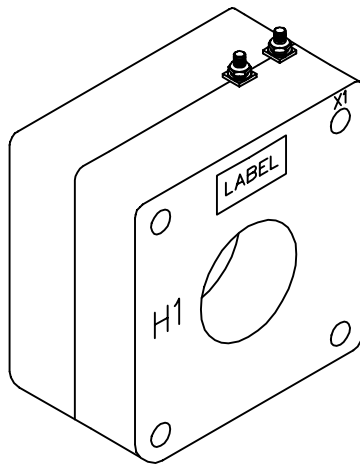
INSULATION LEVEL:
600 Volts, 10 kV BIL full wave.

- Terminals are brass studs No. 8-32 UNC with one flatwasher, lockwasher and regular nut.
- Order mounting bracket kit 0221B00259 separately.
- Multi-ratios available upon request.

REGULATORY AGENCY APPROVALS

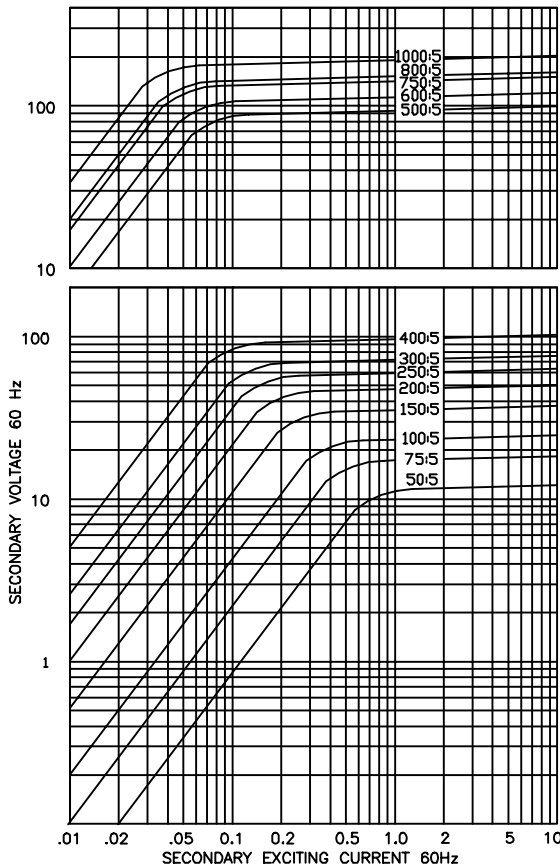


Manufactured to meet the requirements of ANSI/IEEE C57.13.
Classified by U.L. in accordance with IEC 44-1
Approved for revenue metering by Industry Canada. (*)



CURRENT TRANSFORMER MODEL 296
Window Diameter 1.50"
Approximate weight: 18 lbs.

EXCITATION CURVE



| CATALOG NUMBER | CURRENT RATIO | RELAY CLASS | ANSI METERING CLASS AT 60 Hz | | | | | SECONDARY WINDING RESISTANCE (OHMS @ 75 ° C) | CONTINUOUS THERMAL RATING FACTOR | |
|----------------|---------------|-------------|------------------------------|------|------|------|------|--|----------------------------------|-------|
| | | | B0.1 | B0.2 | B0.5 | B0.9 | B1.8 | | @30°C | @55°C |
| 296-500 | 50:5 | C10 | 1.2 | 2.4 | 4.8 | - | - | 0.018 | 2.0 | 2.0 |
| 296-750 | 75:5 | C10 | 0.6 | 1.2 | 2.4 | 4.8 | - | 0.027 | 2.0 | 2.0 |
| 296-101 | 100:5 * | C20 | 0.6 | 0.6 | 1.2 | 2.4 | 4.8 | 0.035 | 2.0 | 2.0 |
| 296-151 | 150:5 * | C20 | 0.3 | 0.3 | 0.6 | 1.2 | 2.4 | 0.053 | 2.0 | 2.0 |
| 296-201 | 200:5 * | C20 | 0.3 | 0.3 | 0.6 | 0.6 | 1.2 | 0.071 | 2.0 | 2.0 |
| 296-251 | 250:5 * | C50 | 0.3 | 0.3 | 0.3 | 0.3 | 0.6 | 0.121 | 2.0 | 2.0 |
| 296-301 | 300:5 * | C50 | 0.3 | 0.3 | 0.3 | 0.3 | 0.6 | 0.168 | 2.0 | 1.5 |
| 296-401 | 400:5 * | C100 | 0.3 | 0.3 | 0.3 | 0.3 | 0.3 | 0.224 | 2.0 | 1.5 |
| 296-501 | 500:5 | C50 | 0.3 | 0.3 | 0.3 | 0.3 | 0.3 | 0.249 | 1.5 | 1.5 |
| 296-601 | 600:5 | C100 | 0.3 | 0.3 | 0.3 | 0.3 | 0.3 | 0.298 | 1.5 | 1.33 |
| 296-751 | 750:5 | C100 | 0.3 | 0.3 | 0.3 | 0.3 | 0.3 | 0.373 | 1.5 | 1.0 |
| 296-801 | 800:5 | C100 | 0.3 | 0.3 | 0.3 | 0.3 | 0.3 | 0.398 | 1.5 | 1.0 |
| 296-102 | 1000:5 | C100 | 0.3 | 0.3 | 0.3 | 0.3 | 0.3 | 0.497 | 1.33 | 1.0 |

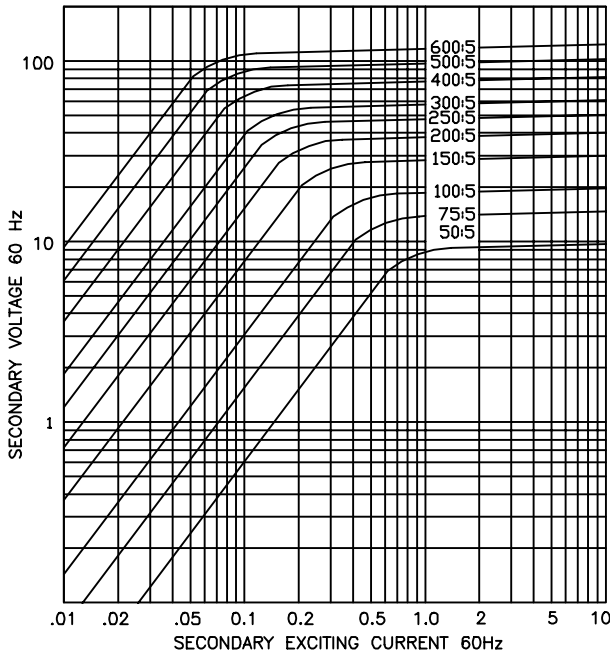
* Industry Canada Approval No. T-202

CURRENT TRANSFORMER MODEL 297

Window Diameter 2.25"

Approximate weight: 15 lbs.

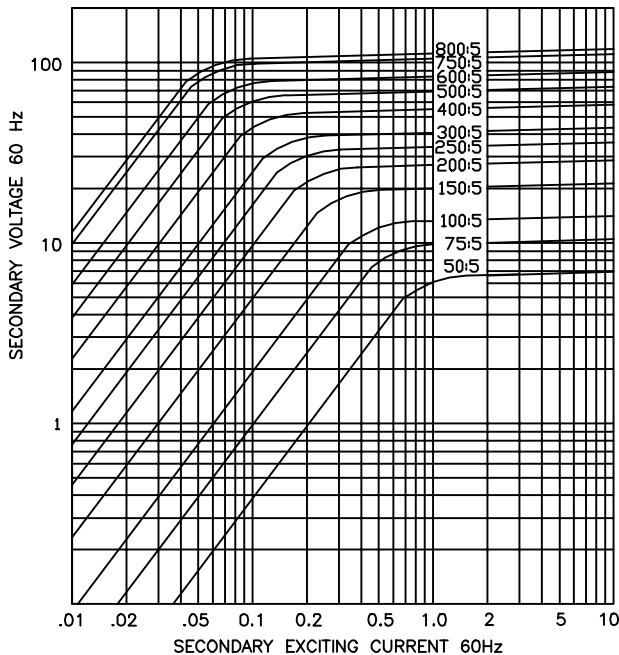
EXCITATION CURVE



| CATALOG NUMBER | CURRENT RATIO | RELAY CLASS | ANSI METERING CLASS AT 60 Hz | | | | | SECONDARY WINDING RESISTANCE (OHMS @ 75 °C) | CONTINUOUS THERMAL RATING FACTOR | |
|----------------|---------------|-------------|------------------------------|------|------|------|------|---|----------------------------------|-------|
| | | | B0.1 | B0.2 | B0.5 | B0.9 | B1.8 | | @30°C | @55°C |
| 297-500 | 50:5 | - | 2.4 | 4.8 | - | - | - | 0.015 | 2.0 | 2.0 |
| 297-750 | 75:5 | C10 | 1.2 | 2.4 | 4.8 | 4.8 | - | 0.023 | 2.0 | 2.0 |
| 297-101 | 100:5 | C10 | 0.6 | 1.2 | 2.4 | 4.8 | 4.8 | 0.051 | 2.0 | 2.0 |
| 297-151 | 150:5 * | C20 | 0.6 | 0.6 | 1.2 | 2.4 | 2.4 | 0.048 | 2.0 | 2.0 |
| 297-201 | 200:5 * | C20 | 0.3 | 0.6 | 0.6 | 1.2 | 2.4 | 0.103 | 2.0 | 2.0 |
| 297-251 | 250:5 * | C20 | 0.3 | 0.3 | 0.3 | 0.6 | 1.2 | 0.111 | 2.0 | 2.0 |
| 297-301 | 300:5 * | C50 | 0.3 | 0.3 | 0.3 | 0.6 | 1.2 | 0.154 | 2.0 | 1.5 |
| 297-401 | 400:5 * | C50 | 0.3 | 0.3 | 0.3 | 0.3 | 0.6 | 0.205 | 2.0 | 1.5 |
| 297-501 | 500:5 * | C50 | 0.3 | 0.3 | 0.3 | 0.3 | 0.3 | 0.233 | 2.0 | 1.5 |
| 297-601 | 600:5 * | C100 | 0.3 | 0.3 | 0.3 | 0.3 | 0.3 | 0.308 | 1.5 | 1.33 |

* Industry Canada Approval No. T-203

EXCITATION CURVE



CURRENT TRANSFORMER MODEL 298

Window Diameter 3.00"

Approximate weight: 12 lbs.

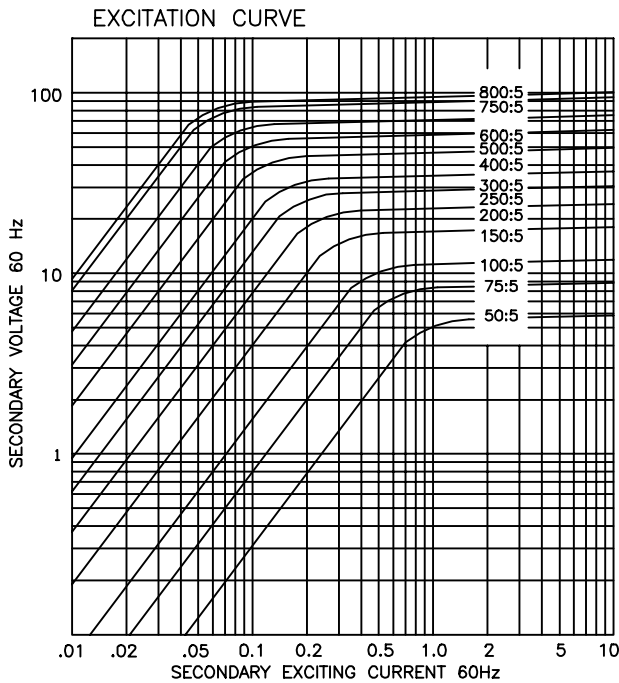
| CATALOG NUMBER | CURRENT RATIO | RELAY CLASS | ANSI METERING CLASS AT 60 Hz | | | | | SECONDARY WINDING RESISTANCE (OHMS @ 75 °C) | CONTINUOUS THERMAL RATING FACTOR | |
|----------------|---------------|-------------|------------------------------|------|------|------|------|---|----------------------------------|-------|
| | | | B0.1 | B0.2 | B0.5 | B0.9 | B1.8 | | @30°C | @55°C |
| 298-500 | 50:5 | - | 2.4 | 4.8 | - | - | - | 0.023 | 2.0 | 2.0 |
| 298-750 | 75:5 | - | 1.2 | 1.2 | 4.8 | - | - | 0.028 | 2.0 | 2.0 |
| 298-101 | 100:5 | C10 | 0.6 | 0.6 | 2.4 | 4.8 | - | 0.040 | 2.0 | 2.0 |
| 298-151 | 150:5 * | C10 | 0.6 | 0.6 | 1.2 | 2.4 | 4.8 | 0.060 | 2.0 | 2.0 |
| 298-201 | 200:5 * | C20 | 0.6 | 0.6 | 0.6 | 1.2 | 2.4 | 0.080 | 2.0 | 2.0 |
| 298-251 | 250:5 * | C20 | 0.3 | 0.3 | 0.6 | 1.2 | 2.4 | 0.073 | 2.0 | 2.0 |
| 298-301 | 300:5 * | C20 | 0.3 | 0.3 | 0.6 | 0.6 | 1.2 | 0.087 | 2.0 | 2.0 |
| 298-401 | 400:5 * | C20 | 0.3 | 0.3 | 0.3 | 0.3 | 0.6 | 0.186 | 2.0 | 1.5 |
| 298-501 | 500:5 * | C50 | 0.3 | 0.3 | 0.3 | 0.3 | 0.6 | 0.233 | 2.0 | 1.5 |
| 298-601 | 600:5 * | C50 | 0.3 | 0.3 | 0.3 | 0.3 | 0.3 | 0.279 | 1.5 | 1.33 |
| 298-751 | 750:5 * | C50 | 0.3 | 0.3 | 0.3 | 0.3 | 0.3 | 0.349 | 1.5 | 1.0 |
| 298-801 | 800:5 * | C50 | 0.3 | 0.3 | 0.3 | 0.3 | 0.3 | 0.372 | 1.5 | 1.0 |

* Industry Canada Approval No. T-204

CURRENT TRANSFORMER MODEL 299

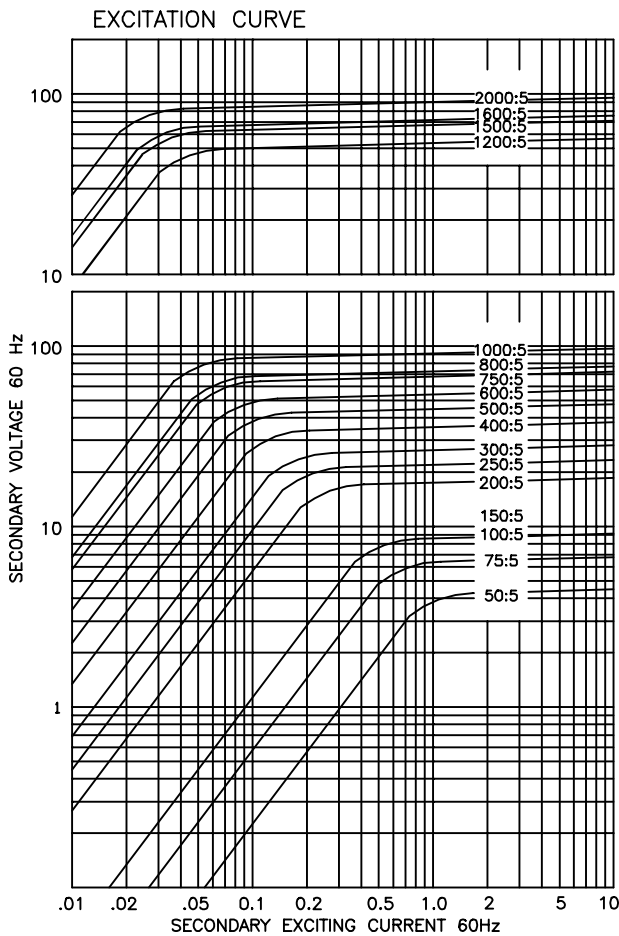
Window Diameter 3.38"

Approximate weight: 10 lbs.



| CATALOG NUMBER | CURRENT RATIO | RELAY CLASS | ANSI METERING CLASS AT 60 Hz | | | | | SECONDARY WINDING RESISTANCE (OHMS @ 75 °C) | CONTINUOUS THERMAL RATING FACTOR | |
|----------------|---------------|-------------|------------------------------|------|------|------|------|---|----------------------------------|-------|
| | | | B0.1 | B0.2 | B0.5 | B0.9 | B1.8 | | @30°C | @55°C |
| 299-500 | 50:5 | - | 4.8 | 4.8 | - | - | - | 0.022 | 2.0 | 2.0 |
| 299-750 | 75:5 | - | 1.2 | 2.4 | 4.8 | - | - | 0.028 | 2.0 | 2.0 |
| 299-101 | 100:5 | C10 | 0.6 | 1.2 | 2.4 | 4.8 | - | 0.038 | 2.0 | 2.0 |
| 299-151 | 150:5 * | C10 | 0.6 | 0.6 | 1.2 | 2.4 | 4.8 | 0.057 | 2.0 | 2.0 |
| 299-201 | 200:5 * | C10 | 0.6 | 0.6 | 1.2 | 1.2 | 2.4 | 0.088 | 2.0 | 2.0 |
| 299-251 | 250:5 * | C20 | 0.3 | 0.3 | 0.6 | 1.2 | 2.4 | 0.098 | 2.0 | 2.0 |
| 299-301 | 300:5 * | C20 | 0.3 | 0.3 | 0.3 | 0.6 | 1.2 | 0.118 | 2.0 | 2.0 |
| 299-401 | 400:5 * | C20 | 0.3 | 0.3 | 0.3 | 0.6 | 0.6 | 0.177 | 2.0 | 1.5 |
| 299-501 | 500:5 * | C20 | 0.3 | 0.3 | 0.3 | 0.3 | 0.6 | 0.221 | 2.0 | 1.5 |
| 299-601 | 600:5 * | C50 | 0.3 | 0.3 | 0.3 | 0.3 | 0.3 | 0.265 | 1.5 | 1.33 |
| 299-751 | 750:5 * | C50 | 0.3 | 0.3 | 0.3 | 0.3 | 0.3 | 0.331 | 1.5 | 1.0 |
| 299-801 | 800:5 * | C50 | 0.3 | 0.3 | 0.3 | 0.3 | 0.3 | 0.353 | 1.5 | 1.0 |

* Industry Canada Approval No. T-205



CURRENT TRANSFORMER MODEL 300

Window Diameter 3.75"

Approximate weight: 9 lbs.

| CATALOG NUMBER | CURRENT RATIO | RELAY CLASS | ANSI METERING CLASS AT 60 Hz | | | | | SECONDARY WINDING RESISTANCE (OHMS @ 75 °C) | CONTINUOUS THERMAL RATING FACTOR | |
|----------------|---------------|-------------|------------------------------|------|------|------|------|---|----------------------------------|-------|
| | | | B0.1 | B0.2 | B0.5 | B0.9 | B1.8 | | @30°C | @55°C |
| 300-500 | 50:5 | - | 2.4 | 4.8 | - | - | - | 0.012 | 2.0 | 2.0 |
| 300-750 | 75:5 | - | 2.4 | 2.4 | - | - | - | 0.019 | 2.0 | 2.0 |
| 300-101 | 100:5 | - | 2.4 | 2.4 | 2.4 | - | - | 0.026 | 2.0 | 2.0 |
| 300-151 | 150:5 * | - | 0.6 | 0.6 | 2.4 | 2.4 | 4.8 | 0.054 | 2.0 | 2.0 |
| 300-201 | 200:5 * | C10 | 0.6 | 0.6 | 1.2 | 2.4 | 4.8 | 0.072 | 2.0 | 2.0 |
| 300-251 | 250:5 * | C10 | 0.3 | 0.6 | 1.2 | 1.2 | 2.4 | 0.104 | 2.0 | 2.0 |
| 300-301 | 300:5 * | C10 | 0.3 | 0.3 | 0.3 | 0.6 | 1.2 | 0.108 | 2.0 | 2.0 |
| 300-401 | 400:5 * | C20 | 0.3 | 0.3 | 0.3 | 0.6 | 1.2 | 0.144 | 2.0 | 1.5 |
| 300-501 | 500:5 * | C20 | 0.3 | 0.3 | 0.3 | 0.6 | 0.6 | 0.209 | 2.0 | 1.5 |
| 300-601 | 600:5 * | C20 | 0.3 | 0.3 | 0.3 | 0.3 | 0.6 | 0.251 | 1.5 | 1.33 |
| 300-751 | 750:5 * | C20 | 0.3 | 0.3 | 0.3 | 0.3 | 0.3 | 0.329 | 1.5 | 1.0 |
| 300-801 | 800:5 * | C50 | 0.3 | 0.3 | 0.3 | 0.3 | 0.3 | 0.334 | 1.5 | 1.0 |
| 300-102 | 1000:5 * | C50 | 0.3 | 0.3 | 0.3 | 0.3 | 0.3 | 0.418 | 1.33 | 1.0 |
| 300-122 | 1200:5 * | C10 | 0.3 | 0.3 | 0.3 | 0.3 | 0.3 | 0.425 | 1.33 | 1.0 |
| 300-152 | 1500:5 * | C10 | 0.3 | 0.3 | 0.3 | 0.3 | 0.3 | 0.531 | 1.0 | 1.0 |
| 300-162 | 1600:5 * | C10 | 0.3 | 0.3 | 0.3 | 0.3 | 0.3 | 0.567 | 1.0 | 0.8 |
| 300-202 | 2000:5 * | C20 | 0.3 | 0.3 | 0.3 | 0.3 | 0.3 | 0.708 | 1.0 | 0.8 |

* Industry Canada Approval No. T-206 Rev.01

CURRENT TRANSFORMER

Model 306

Window Diameter 4.50"

APPLICATION:
Relaying and metering.

FREQUENCY:
50-400 Hz.

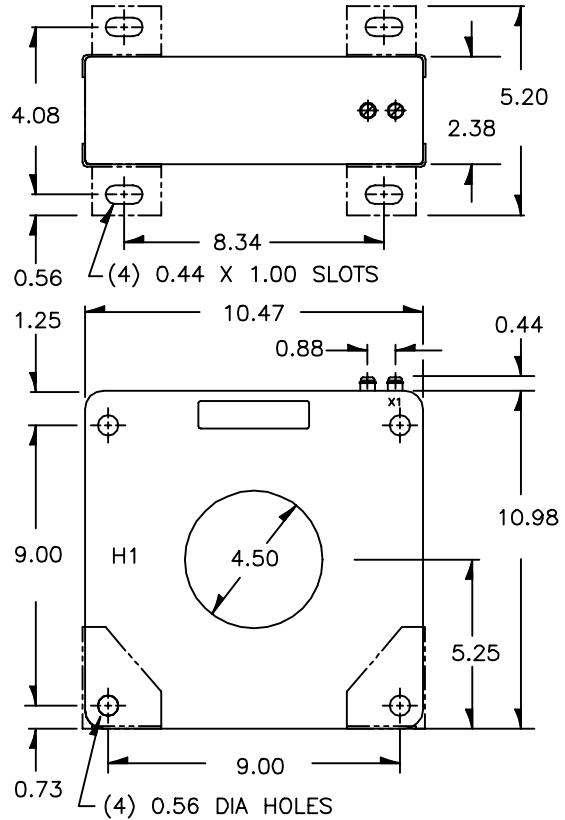
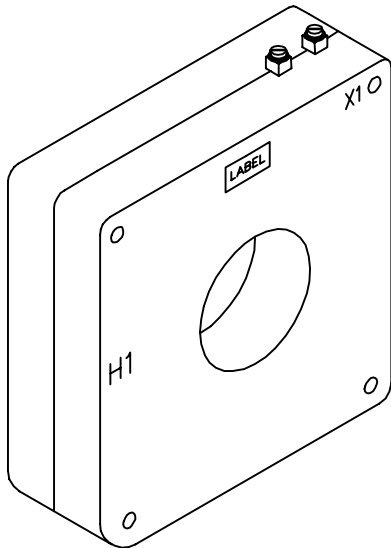
INSULATION LEVEL:
600 Volts, 10 kV BIL full wave.

REGULATORY AGENCY APPROVALS

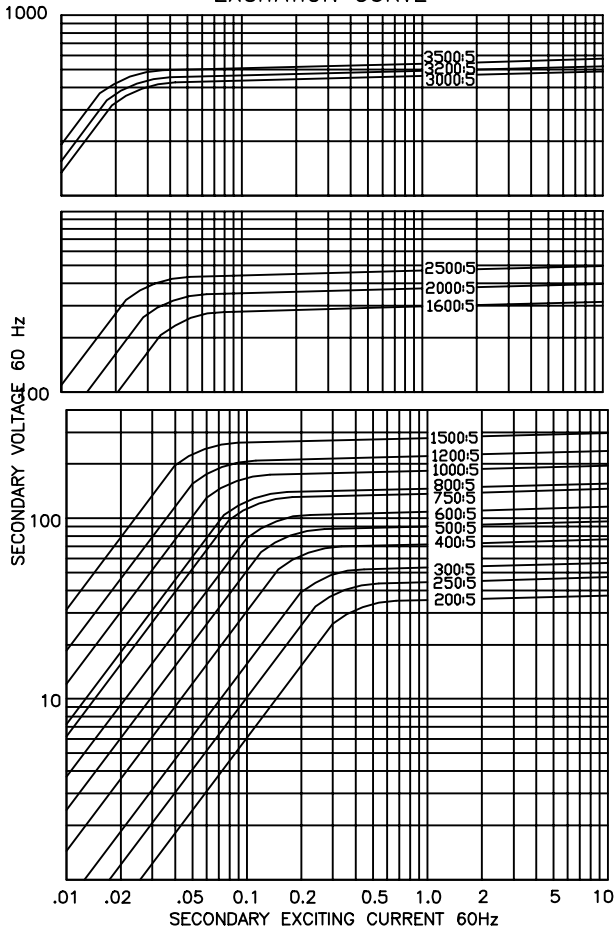


Manufactured to meet the requirements of ANSI/IEEE C57.13.
Classified by U.L. in accordance with IEC 44-1
Approved for revenue metering by Industry Canada. No. AE-0641

- Terminals are brass screws No. 10-32 UNF with one flatwasher and lockwasher.
- Order mounting bracket kit 0221B01527 separately.
- Multi-ratios available on request.
- Approximate weight 27 lbs.



EXCITATION CURVE



| CATALOG NUMBER | CURRENT RATIO | RELAY CLASS | ANSI METERING CLASS AT 60 Hz | | | | | SECONDARY WINDING RESISTANCE (OHMS @ 75 °C) | CONTINUOUS THERMAL RATING FACTOR | |
|----------------|---------------|-------------|------------------------------|------|------|------|------|---|----------------------------------|-------|
| | | | B0.1 | B0.2 | B0.5 | B0.9 | B1.8 | | @30°C | @55°C |
| 306-201 | 200:5 | C20 | 0.6 | 0.6 | 1.2 | 2.4 | 2.4 | 0.098 | 2.0 | 2.0 |
| 306-251 | 250:5 | C20 | 0.3 | 0.6 | 1.2 | 1.2 | 2.4 | 0.122 | 2.0 | 2.0 |
| 306-301 | 300:5 | C20 | 0.3 | 0.6 | 0.6 | 1.2 | 1.2 | 0.147 | 2.0 | 2.0 |
| 306-401 | 400:5 | C50 | 0.3 | 0.3 | 0.3 | 0.6 | 1.2 | 0.196 | 2.0 | 2.0 |
| 306-501 | 500:5 | C50 | 0.3 | 0.3 | 0.3 | 0.3 | 0.6 | 0.245 | 2.0 | 2.0 |
| 306-601 | 600:5 | C100 | 0.3 | 0.3 | 0.3 | 0.3 | 0.6 | 0.294 | 2.0 | 1.5 |
| 306-751 | 750:5 | C100 | 0.3 | 0.3 | 0.3 | 0.3 | 0.3 | 0.367 | 2.0 | 1.5 |
| 306-801 | 800:5 | C100 | 0.3 | 0.3 | 0.3 | 0.3 | 0.3 | 0.392 | 2.0 | 1.5 |
| 306-102 | 1000:5 | C100 | 0.3 | 0.3 | 0.3 | 0.3 | 0.3 | 0.490 | 1.5 | 1.33 |
| 306-122 | 1200:5 | C100 | 0.3 | 0.3 | 0.3 | 0.3 | 0.3 | 0.740 | 1.5 | 1.0 |
| 306-152 | 1500:5 | C200 | 0.3 | 0.3 | 0.3 | 0.3 | 0.3 | 0.925 | 1.33 | 1.0 |
| 306-162 | 1600:5 | C200 | 0.3 | 0.3 | 0.3 | 0.3 | 0.3 | 1.068 | 1.33 | 1.0 |
| 306-202 | 2000:5 | C200 | 0.3 | 0.3 | 0.3 | 0.3 | 0.3 | 1.089 | 1.33 | 1.0 |
| 306-252 | 2500:5 | C200 | 0.3 | 0.3 | 0.3 | 0.3 | 0.3 | 1.616 | 1.0 | 0.8 |
| 306-302 | 3000:5 | C200 | 0.3 | 0.3 | 0.3 | 0.3 | 0.3 | 1.152 | 1.33 | 1.0 |
| 306-322 | 3200:5 | C400 | 0.3 | 0.3 | 0.3 | 0.3 | 0.3 | 1.229 | 1.33 | 1.0 |
| 306-352 | 3500:5 | C400 | 0.3 | 0.3 | 0.3 | 0.3 | 0.3 | 1.679 | 1.0 | 0.8 |

CURRENT TRANSFORMER

Model 306MR

Window Diameter 4.50"

REGULATORY AGENCY APPROVALS



Manufactured to meet the requirements of ANSI/IEEE C57.13.
Classified by U.L. in accordance with IEC 44-1

Approved for revenue metering by Industry Canada. No. AE-0641

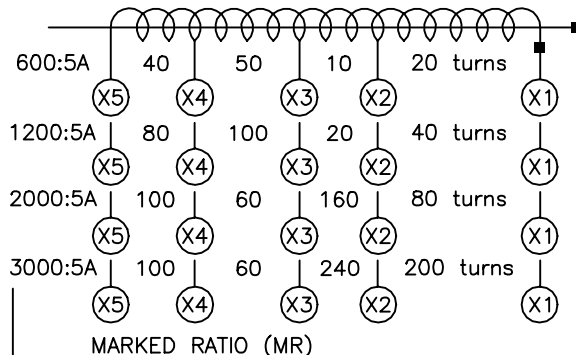
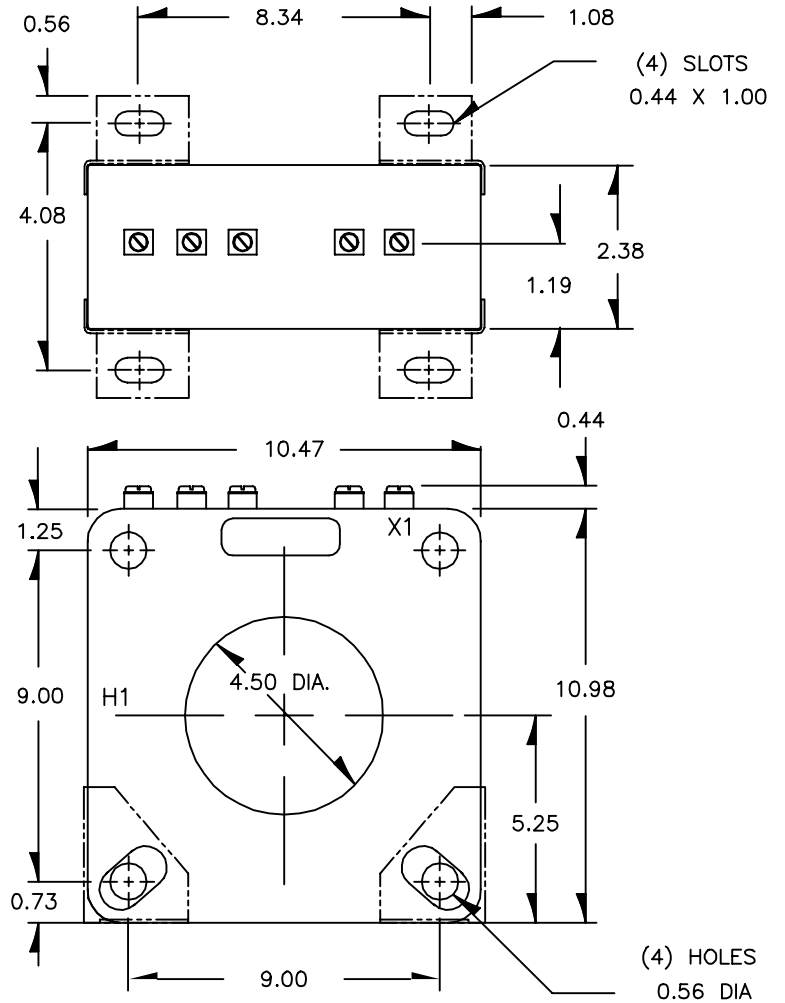
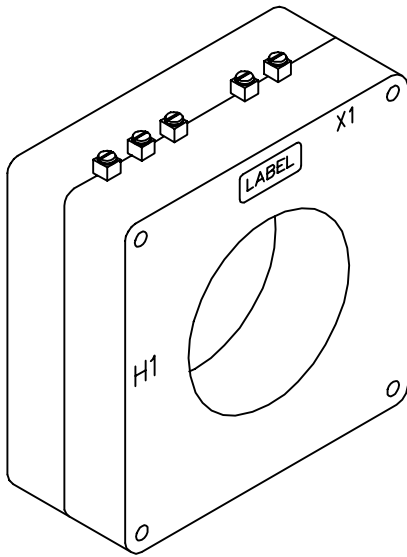
APPLICATION:
Relaying.

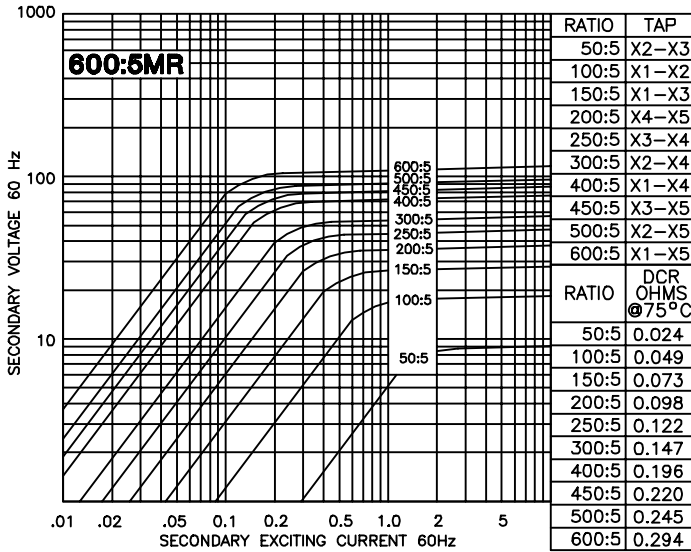
FREQUENCY:
50-400Hz

INSULATION LEVEL:
0.6 kV, BIL 10 kV full wave.

CONTINUOUS THERMAL CURRENT RATING FACTOR:
See TRF at curves.

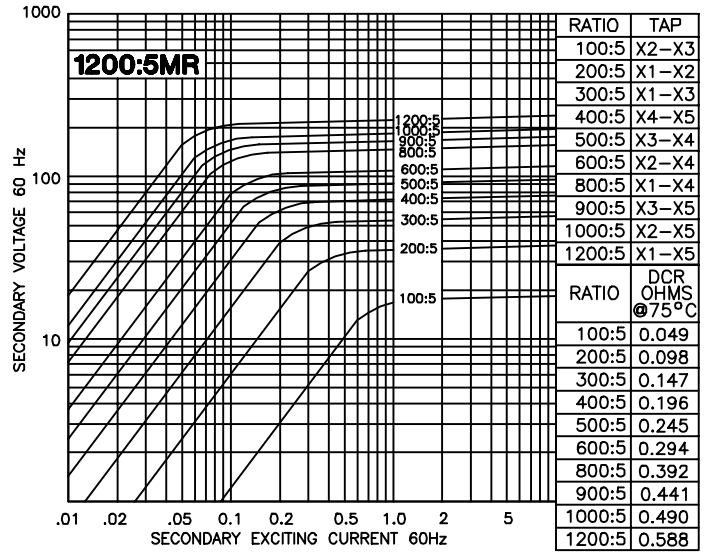
- Terminals are brass screws No.10-32 with one flatwasher and lockwasher.
- The transformer winding is arranged so that the turns are fully distributed between all taps.
- Order Mounting Bracket Kit No. 0221B01527 separately.
- Approximate weight 27 lbs.





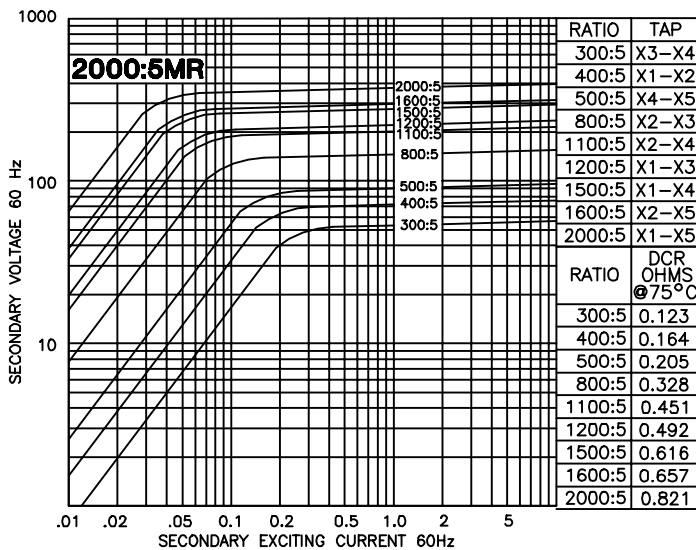
Model 306-601MR - rating C100

TRF= 2.0 @ 30°C, 1.0 @ 55°C amb.



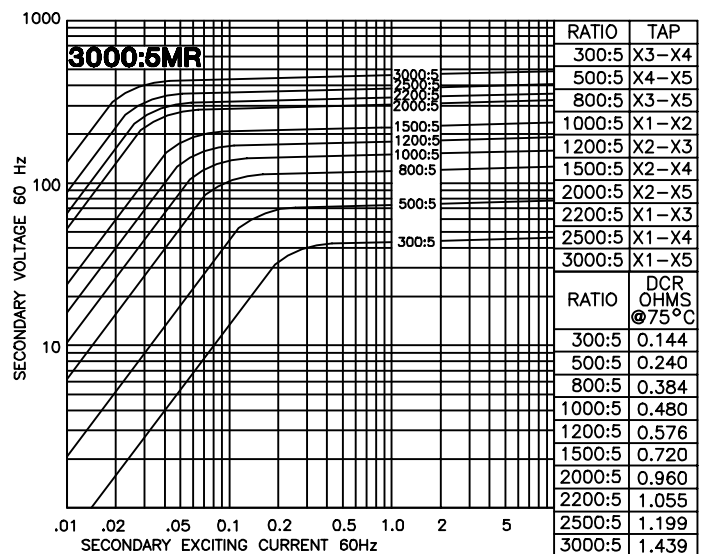
Model 306-122MR - rating C100

TRF= 1.5 @ 30°C, 1.0 @ 55°C amb.



Model 306-202MR - rating C200

TRF= 1.33 @ 30°C, 1.0 @ 55°C amb.



Model 306-302MR - rating C200

TRF= 1.33 @ 30°C, 1.0 @ 55°C amb.

CURRENT TRANSFORMER

Model 307

Window Diameter 4.50"

APPLICATION:
Relaying and metering.

FREQUENCY:
50-400 Hz.

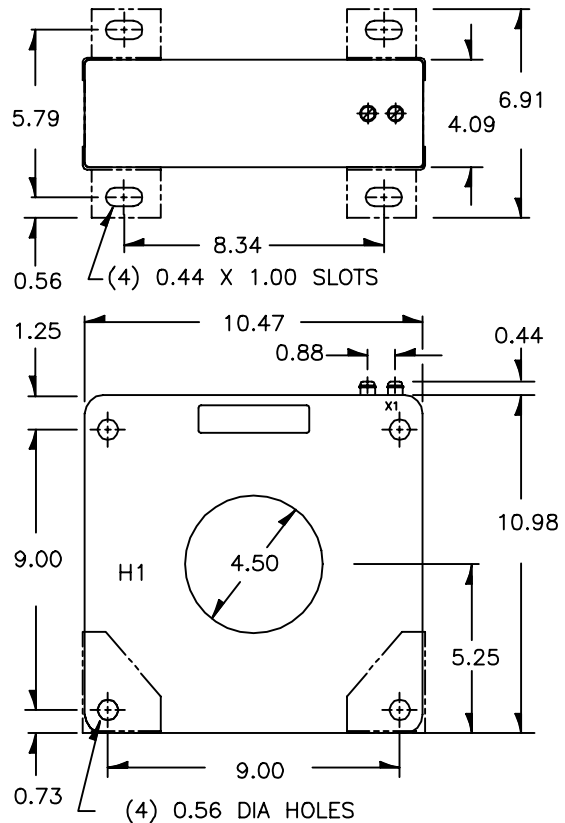
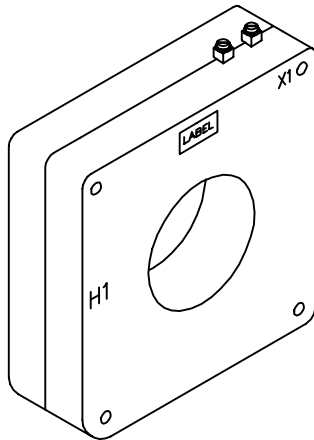
INSULATION LEVEL:
600 Volts, 10 kV BIL full wave.

REGULATORY AGENCY APPROVALS

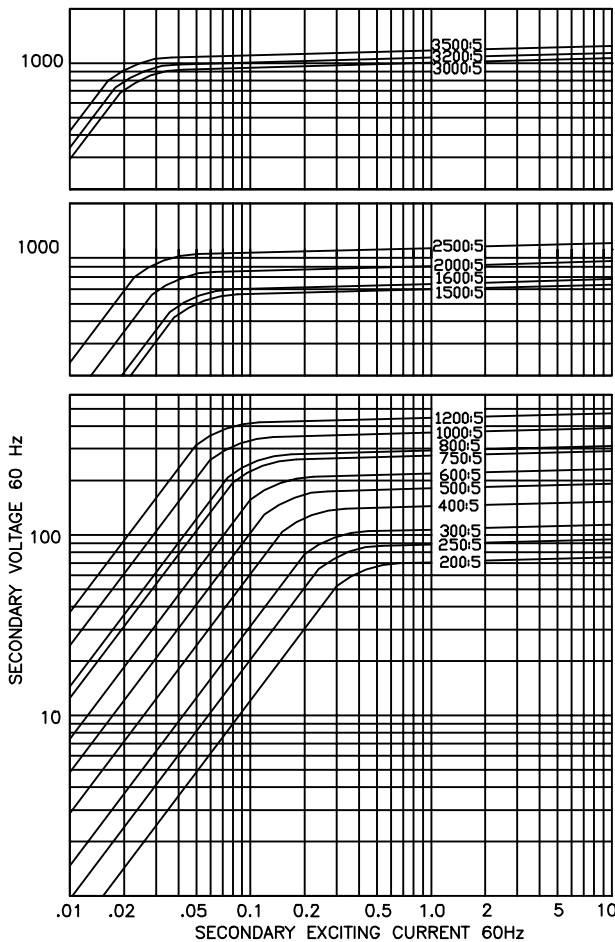


Manufactured to meet the requirements of ANSI/IEEE C57.13.
Classified by U.L. in accordance with IEC 44-1
Approved for revenue metering by Industry Canada. No. AE-0641

- Terminals are brass screws No. 10-32 UNF with one flatwasher and lockwasher.
- Order mounting bracket kit 0221B01525 separately.
- Multi-ratios available on request.
- Approximate weight 53 lbs.



EXCITATION CURVE



| CATALOG NUMBER | CURRENT RATIO | RELAY CLASS | ANSI METERING CLASS AT 60 Hz | | | | | SECONDARY WINDING RESISTANCE (OHMS @ 75 °C) | CONTINUOUS THERMAL RATING FACTOR | |
|----------------|---------------|-------------|------------------------------|------|------|------|------|---|----------------------------------|-------|
| | | | B0.1 | B0.2 | B0.5 | B0.9 | B1.8 | | @30°C | @55°C |
| 307-201 | 200:5 | C50 | 0.3 | 0.6 | 0.6 | 1.2 | 2.4 | 0.142 | 2.0 | 2.0 |
| 307-251 | 250:5 | C50 | 0.3 | 0.6 | 0.6 | 0.6 | 1.2 | 0.178 | 2.0 | 2.0 |
| 307-301 | 300:5 | C100 | 0.3 | 0.3 | 0.6 | 0.6 | 1.2 | 0.214 | 2.0 | 2.0 |
| 307-401 | 400:5 | C100 | 0.3 | 0.3 | 0.3 | 0.6 | 0.6 | 0.285 | 2.0 | 2.0 |
| 307-501 | 500:5 | C100 | 0.3 | 0.3 | 0.3 | 0.3 | 0.6 | 0.356 | 2.0 | 1.5 |
| 307-601 | 600:5 | C200 | 0.3 | 0.3 | 0.3 | 0.3 | 0.3 | 0.427 | 2.0 | 1.5 |
| 307-751 | 750:5 | C200 | 0.3 | 0.3 | 0.3 | 0.3 | 0.3 | 0.534 | 2.0 | 1.5 |
| 307-801 | 800:5 | C200 | 0.3 | 0.3 | 0.3 | 0.3 | 0.3 | 0.570 | 2.0 | 1.5 |
| 307-102 | 1000:5 | C200 | 0.3 | 0.3 | 0.3 | 0.3 | 0.3 | 0.712 | 1.5 | 1.33 |
| 307-122 | 1200:5 | C400 | 0.3 | 0.3 | 0.3 | 0.3 | 0.3 | 0.855 | 1.5 | 1.33 |
| 307-152 | 1500:5 | C400 | 0.3 | 0.3 | 0.3 | 0.3 | 0.3 | 1.105 | 1.33 | 1.0 |
| 307-162 | 1600:5 | C400 | 0.3 | 0.3 | 0.3 | 0.3 | 0.3 | 1.179 | 1.33 | 1.0 |
| 307-202 | 2000:5 | C400 | 0.3 | 0.3 | 0.3 | 0.3 | 0.3 | 1.474 | 1.0 | 1.0 |
| 307-252 | 2500:5 | C800 | 0.3 | 0.3 | 0.3 | 0.3 | 0.3 | 1.842 | 1.0 | 0.8 |
| 307-302 | 3000:5 | C800 | 0.3 | 0.3 | 0.3 | 0.3 | 0.3 | 2.058 | 1.0 | 0.8 |
| 307-322 | 3200:5 | C800 | 0.3 | 0.3 | 0.3 | 0.3 | 0.3 | 2.195 | 1.0 | 0.8 |
| 307-352 | 3500:5 | C800 | 0.3 | 0.3 | 0.3 | 0.3 | 0.3 | 2.401 | 1.0 | 0.6 |

CURRENT TRANSFORMER

Model 307MR

Window Diameter 4.50"

REGULATORY AGENCY APPROVALS



Manufactured to meet the requirements of ANSI/IEEE C57.13.

Classified by U.L. in accordance with IEC 44-1

Approved for revenue metering by Industry Canada. No. AE-0641

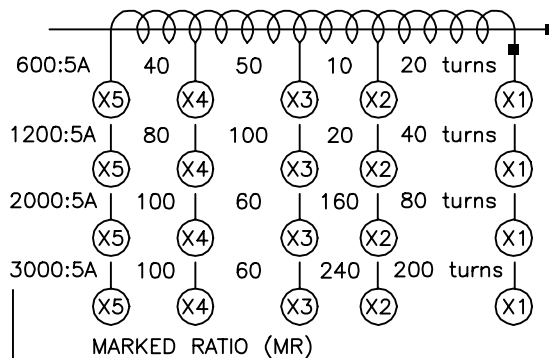
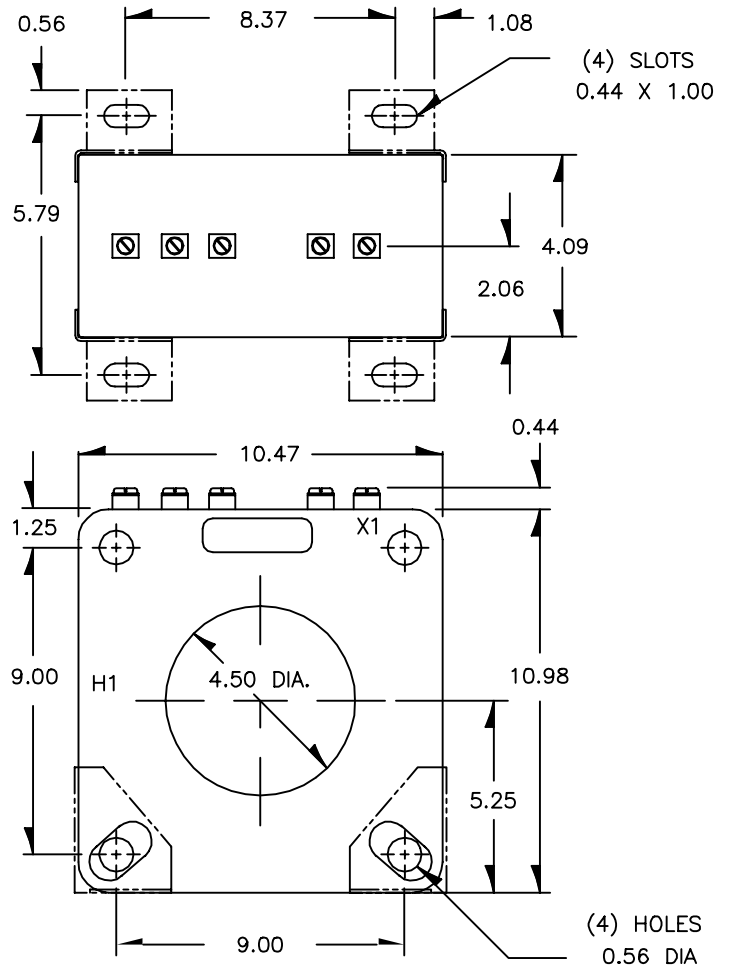
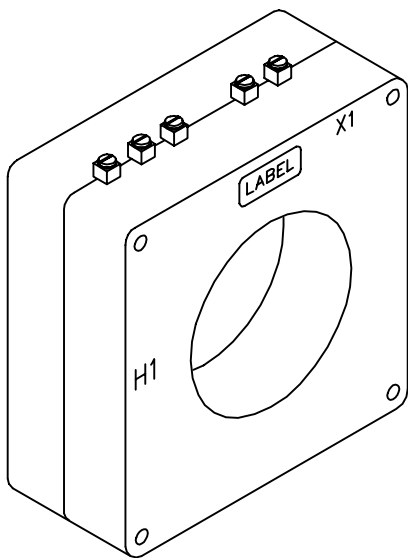
APPLICATION:
Relaying.

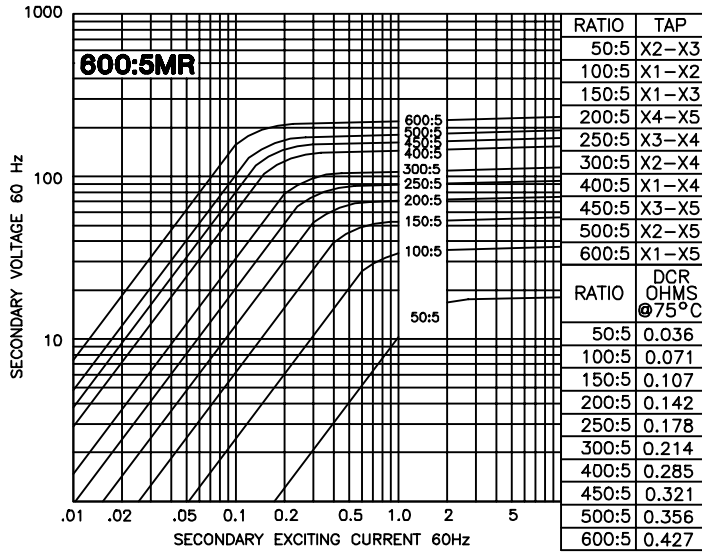
FREQUENCY:
50-400Hz

INSULATION LEVEL:
0.6 kV, BIL 10 kV full wave.

CONTINUOUS THERMAL CURRENT RATING FACTOR:
See TRF at curves.

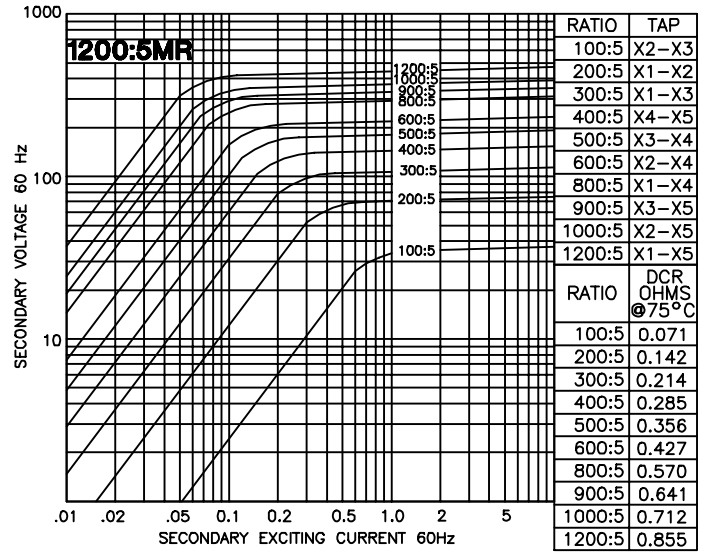
- Terminals are brass screws No.10-32 with one flatwasher and lockwasher.
- The transformer winding is arranged so that the turns are fully distributed between all taps.
- Order Mounting Bracket Kit No. 0221B01525 separately.
- Approximate weight 53 lbs.





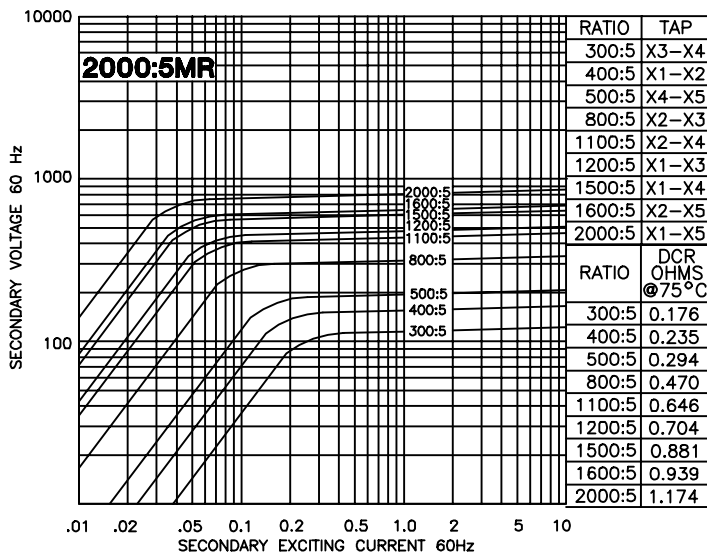
Model 307-601MR - rating C200

TRF= 2.0 @ 30°C, 1.5 @ 55°C amb.



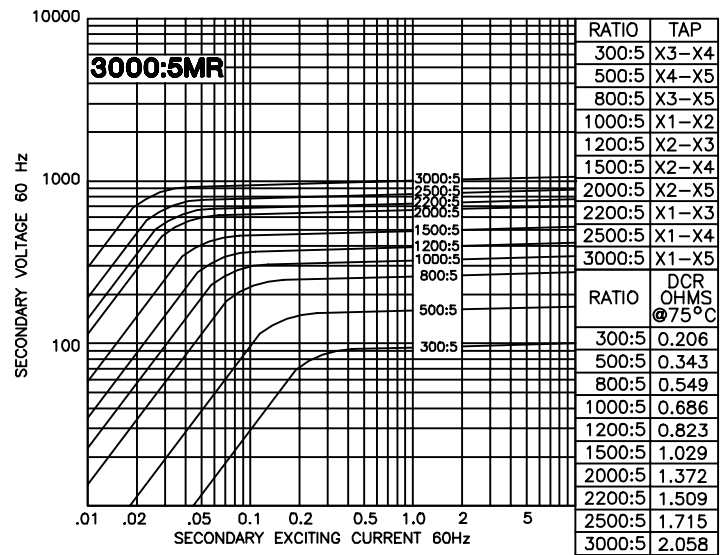
Model 307-122MR - rating C400

TRF= 1.5 @ 30°C, 1.33 @ 55°C amb.



Model 307-202MR - rating C400

TRF= 1.33 @ 30°C, 1.0 @ 55°C amb.



Model 307-302MR - rating C800

TRF= 1.0 @ 30°C, 0.8 @ 55°C amb.

CURRENT TRANSFORMER

Model 308

Window Diameter 5.75"

APPLICATION:
Relaying and metering.

FREQUENCY:
50–400 Hz.

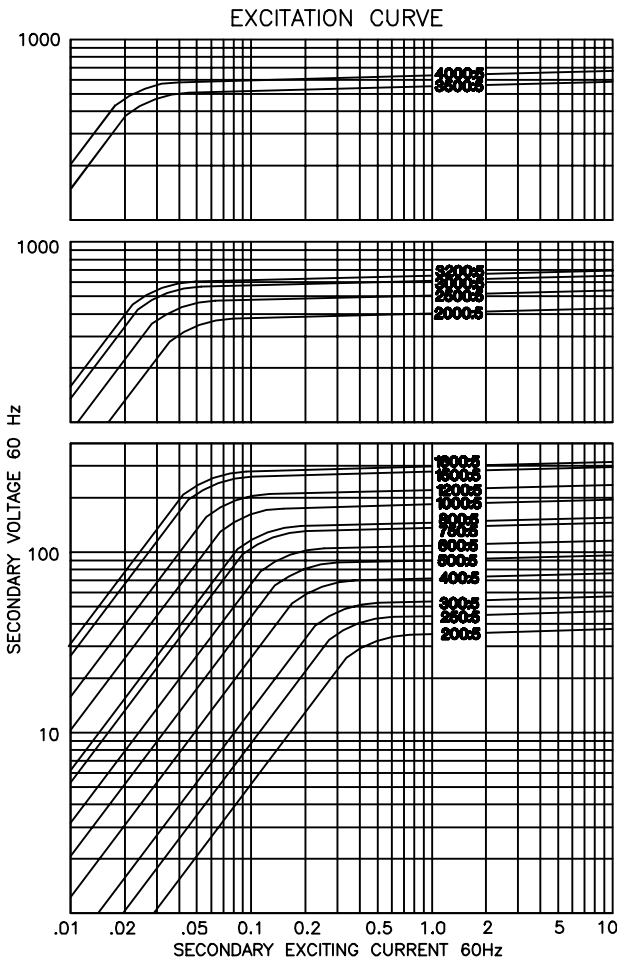
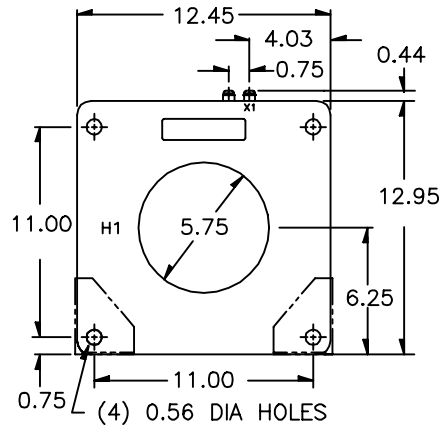
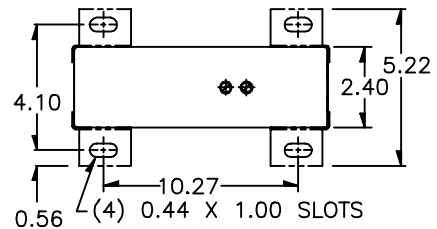
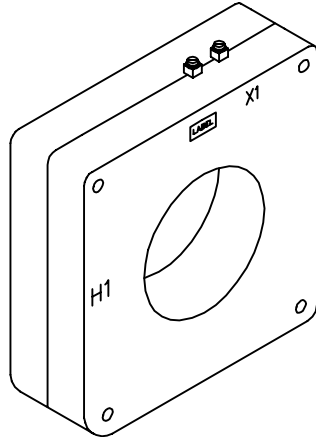
INSULATION LEVEL:
600 Volts, 10 kV BIL full wave.

REGULATORY AGENCY APPROVALS



Manufactured to meet the requirements of ANSI/IEEE C57.13.
Classified by U.L. in accordance with IEC 44-1
Approved for revenue metering by Industry Canada. No. AE-0661

- Terminals are brass screws No. 10–32 UNF with one flatwasher and lockwasher.
- Order mounting bracket kit 0221B01527 separately.
- Multi-ratios available on request.
- Approximate weight 34 lbs.



| CATALOG NUMBER | CURRENT RATIO | RELAY CLASS | ANSI METERING CLASS AT 60 Hz | | | | | SECONDARY WINDING RESISTANCE (OHMS @ 75 °C) | CONTINUOUS THERMAL RATING FACTOR | |
|----------------|---------------|-------------|------------------------------|------|------|------|------|---|----------------------------------|-------|
| | | | B0.1 | B0.2 | B0.5 | B0.9 | B1.8 | | @30°C | @55°C |
| 308-201 | 200:5 | C20 | 0.6 | 1.2 | 2.4 | 2.4 | — | 0.097 | 2.0 | 2.0 |
| 308-251 | 250:5 | C20 | 0.6 | 0.6 | 1.2 | 2.4 | 2.4 | 0.121 | 2.0 | 2.0 |
| 308-301 | 300:5 | C20 | 0.3 | 0.6 | 1.2 | 1.2 | 2.4 | 0.145 | 2.0 | 2.0 |
| 308-401 | 400:5 | C50 | 0.3 | 0.3 | 0.6 | 1.2 | 2.4 | 0.194 | 2.0 | 2.0 |
| 308-501 | 500:5 | C50 | 0.3 | 0.3 | 0.3 | 0.6 | 1.2 | 0.242 | 2.0 | 2.0 |
| 308-601 | 600:5 | C50 | 0.3 | 0.3 | 0.3 | 0.3 | 0.6 | 0.291 | 2.0 | 2.0 |
| 308-751 | 750:5 | C100 | 0.3 | 0.3 | 0.3 | 0.3 | 0.6 | 0.363 | 2.0 | 2.0 |
| 308-801 | 800:5 | C100 | 0.3 | 0.3 | 0.3 | 0.3 | 0.3 | 0.388 | 2.0 | 2.0 |
| 308-102 | 1000:5 | C100 | 0.3 | 0.3 | 0.3 | 0.3 | 0.3 | 0.485 | 2.0 | 1.5 |
| 308-122 | 1200:5 | C200 | 0.3 | 0.3 | 0.3 | 0.3 | 0.3 | 0.582 | 2.0 | 1.5 |
| 308-152 | 1500:5 | C200 | 0.3 | 0.3 | 0.3 | 0.3 | 0.3 | 0.727 | 1.5 | 1.33 |
| 308-162 | 1600:5 | C200 | 0.3 | 0.3 | 0.3 | 0.3 | 0.3 | 0.775 | 1.5 | 1.33 |
| 308-202 | 2000:5 | C200 | 0.3 | 0.3 | 0.3 | 0.3 | 0.3 | 1.052 | 1.5 | 1.0 |
| 308-252 | 2500:5 | C400 | 0.3 | 0.3 | 0.3 | 0.3 | 0.3 | 1.314 | 1.5 | 1.0 |
| 308-302 | 3000:5 | C400 | 0.3 | 0.3 | 0.3 | 0.3 | 0.3 | 1.577 | 1.33 | 1.0 |
| 308-322 | 3200:5 | C400 | 0.3 | 0.3 | 0.3 | 0.3 | 0.3 | 1.682 | 1.0 | 0.8 |
| 308-352 | 3500:5 | C400 | 0.3 | 0.3 | 0.3 | 0.3 | 0.3 | 1.699 | 1.0 | 0.8 |
| 308-402 | 4000:5 | C400 | 0.3 | 0.3 | 0.3 | 0.3 | 0.3 | 1.942 | 1.0 | 0.8 |

CURRENT TRANSFORMER

Model 308MR

Window Diameter 5.75"

REGULATORY AGENCY APPROVALS



Manufactured to meet the requirements of ANSI/IEEE C57.13.

Classified by U.L. in accordance with IEC 44-1

Approved for revenue metering by Industry Canada. No. AE-0661

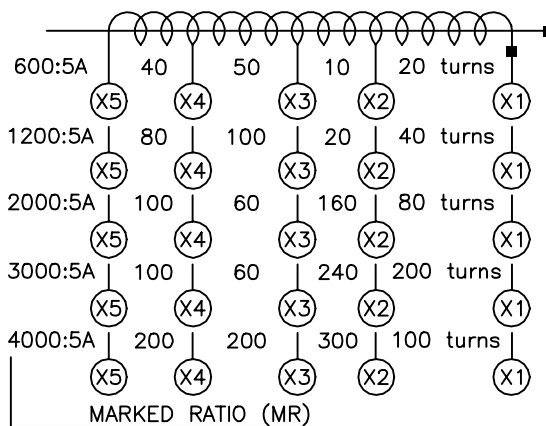
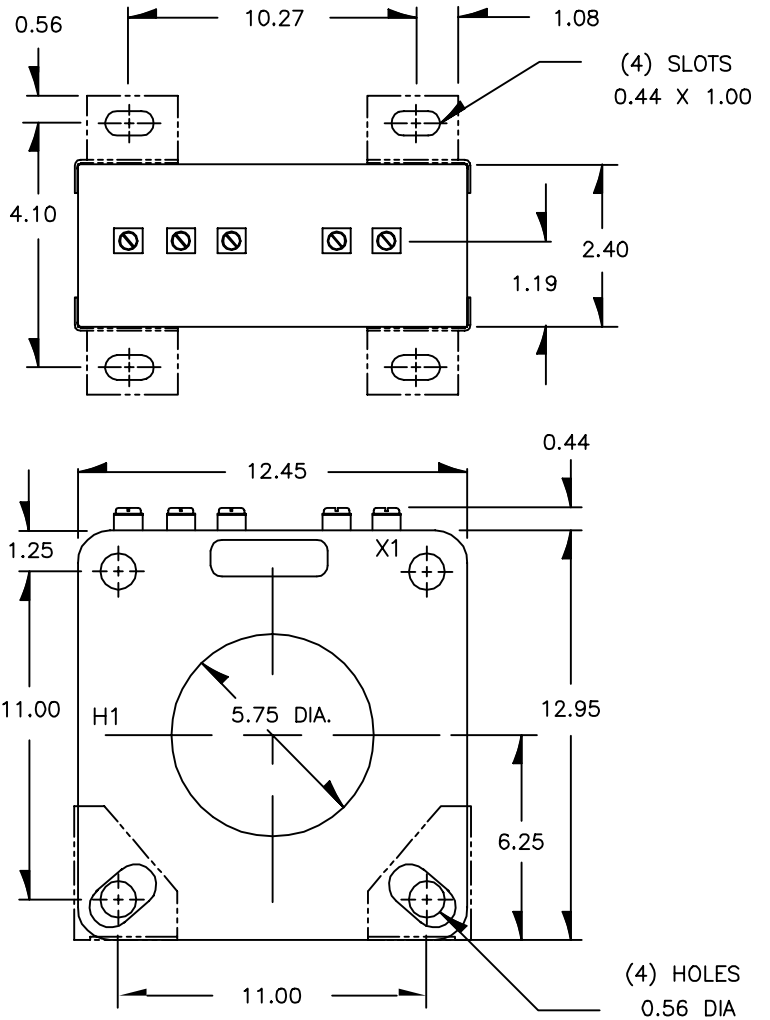
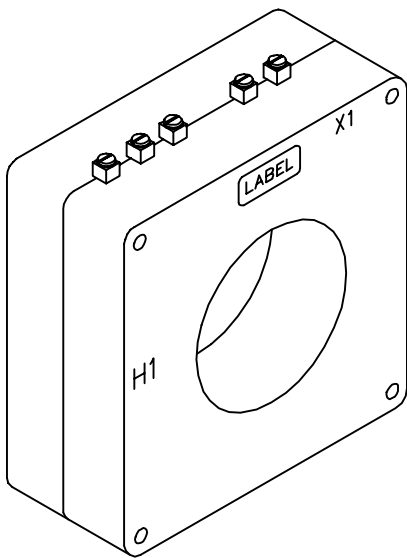
APPLICATION:
Relaying.

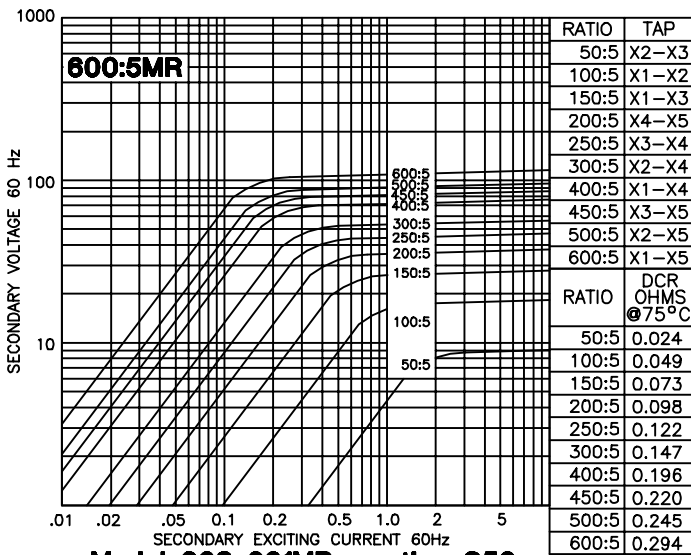
FREQUENCY:
50-400Hz

INSULATION LEVEL:
0.6 kV, BIL 10 kV full wave.

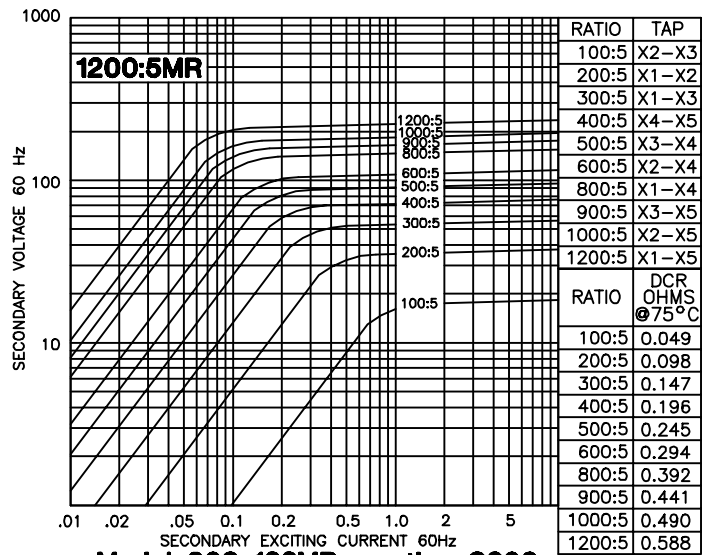
CONTINUOUS THERMAL CURRENT RATING FACTOR:
See TRF at curves.

- Terminals are brass screws No.10-32 with one flatwasher and lockwasher.
- The transformer winding is arranged so that the turns are fully distributed between all taps.
- Order Mounting Bracket Kit No. 0221B01527 separately.
- Approximate weight 34 lbs.

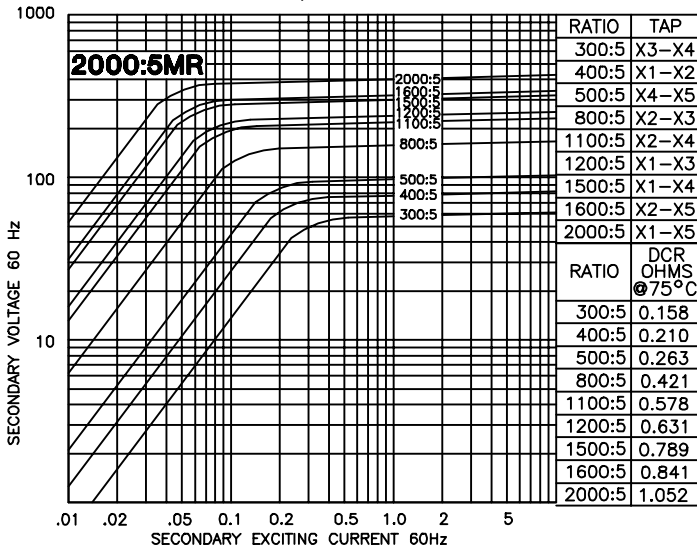




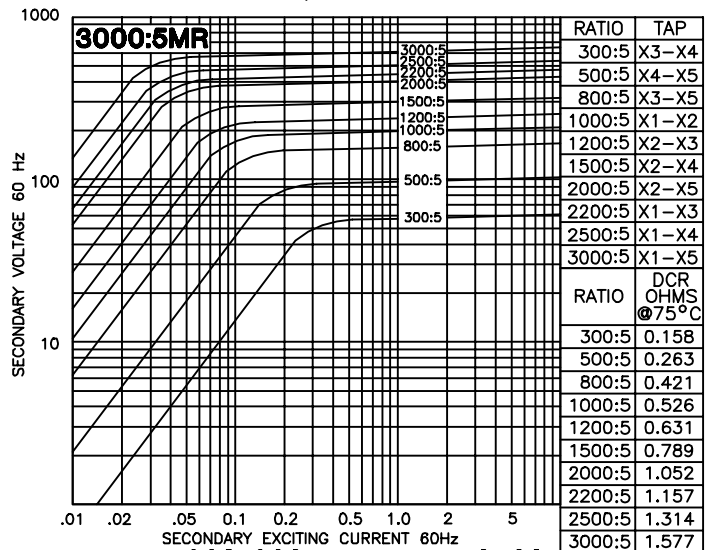
Model 308-601MR - rating C50
TRF= 2.0 @ 30°C, 2.0 @ 55°C amb.



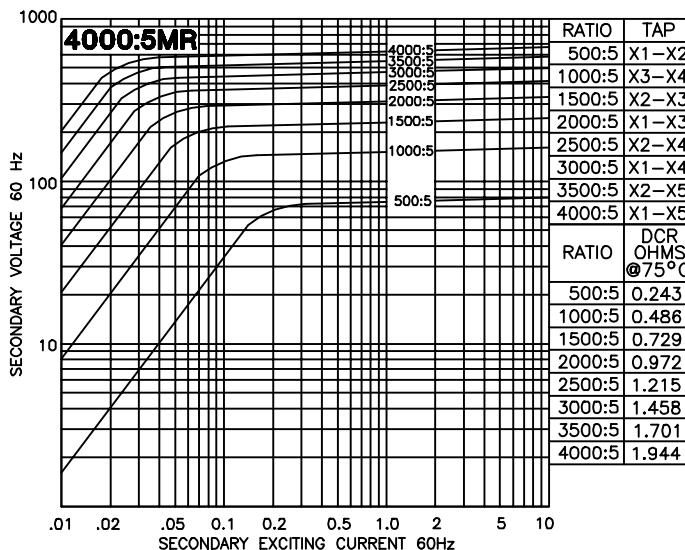
Model 308-122MR - rating C200
TRF= 2.0 @ 30°C, 1.5 @ 55°C amb.



Model 308-202MR - rating C200
TRF= 1.5 @ 30°C, 1.0 @ 55°C amb.



Model 308-302MR - rating C400
TRF= 1.33 @ 30°C, 1.0 @ 55°C amb.



Model 308-402MR - rating C400
TRF= 1.0 @ 30°C, 0.8 @ 55°C amb.

CURRENT TRANSFORMER

Model 309

Window Diameter 5.75"

APPLICATION:
Relaying and metering.

FREQUENCY:
50-400 Hz.

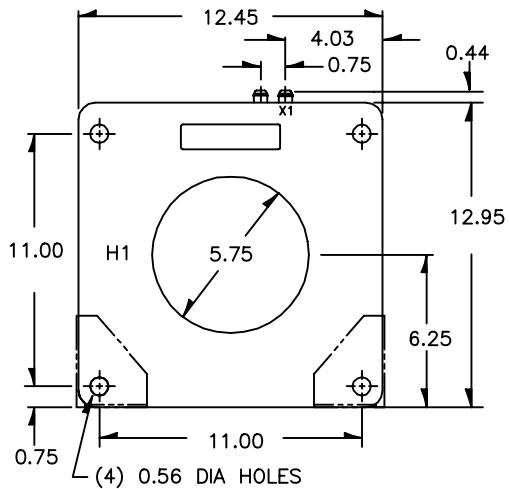
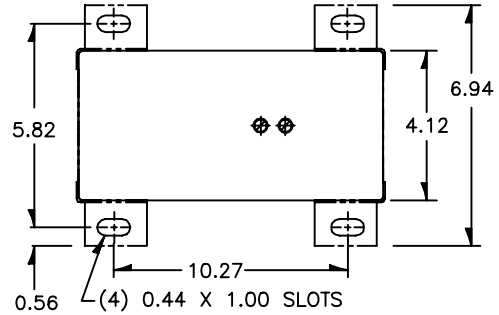
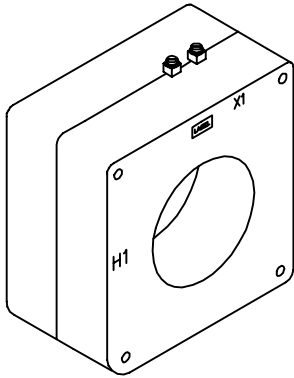
INSULATION LEVEL:
600 Volts, 10 kV BIL full wave.

REGULATORY AGENCY APPROVALS

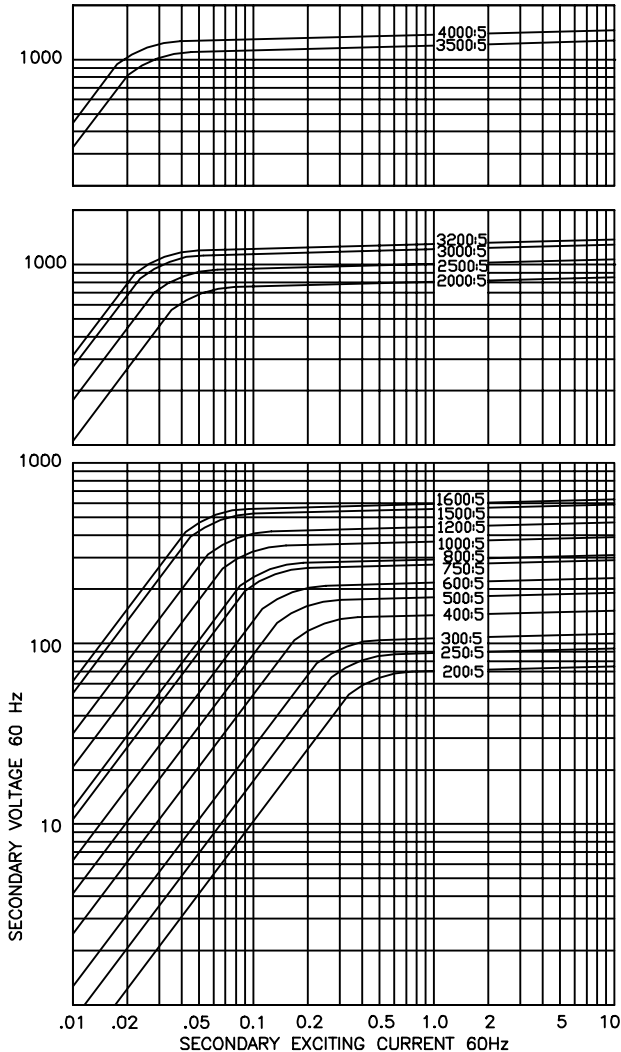
- Terminals are brass screws No. 10-32 UNF with one flatwasher and lockwasher.
- Order mounting bracket kit 0221B01525 separately.
- Multi-ratios available on request.
- Approximate weight 62 lbs.



Manufactured to meet the requirements of ANSI/IEEE C57.13.
Classified by U.L. in accordance with IEC 44-1
Approved for revenue metering by Industry Canada. No. AE-0661



EXCITATION CURVE



| CATALOG NUMBER | CURRENT RATIO | RELAY CLASS | ANSI METERING CLASS AT 60 Hz | | | | | SECONDARY WINDING RESISTANCE (OHMS @ 75 °C) | CONTINUOUS THERMAL RATING FACTOR | |
|----------------|---------------|-------------|------------------------------|------|------|------|------|---|----------------------------------|-------|
| | | | BO.1 | BO.2 | BO.5 | BO.9 | B1.8 | | @30°C | @55°C |
| 309-201 | 200:5 | C50 | 0.3 | 0.6 | 1.2 | 1.2 | 2.4 | 0.141 | 2.0 | 2.0 |
| 309-251 | 250:5 | C50 | 0.3 | 0.3 | 0.6 | 1.2 | 1.2 | 0.177 | 2.0 | 2.0 |
| 309-301 | 300:5 | C100 | 0.3 | 0.3 | 0.6 | 0.6 | 1.2 | 0.212 | 2.0 | 2.0 |
| 309-401 | 400:5 | C100 | 0.3 | 0.3 | 0.3 | 0.3 | 0.6 | 0.283 | 2.0 | 2.0 |
| 309-501 | 500:5 | C100 | 0.3 | 0.3 | 0.3 | 0.3 | 0.6 | 0.354 | 2.0 | 2.0 |
| 309-601 | 600:5 | C200 | 0.3 | 0.3 | 0.3 | 0.3 | 0.3 | 0.424 | 2.0 | 2.0 |
| 309-751 | 750:5 | C200 | 0.3 | 0.3 | 0.3 | 0.3 | 0.3 | 0.530 | 2.0 | 1.5 |
| 309-801 | 800:5 | C200 | 0.3 | 0.3 | 0.3 | 0.3 | 0.3 | 0.566 | 2.0 | 1.5 |
| 309-102 | 1000:5 | C200 | 0.3 | 0.3 | 0.3 | 0.3 | 0.3 | 0.707 | 2.0 | 1.5 |
| 309-122 | 1200:5 | C400 | 0.3 | 0.3 | 0.3 | 0.3 | 0.3 | 0.849 | 2.0 | 1.5 |
| 309-152 | 1500:5 | C400 | 0.3 | 0.3 | 0.3 | 0.3 | 0.3 | 1.061 | 1.5 | 1.33 |
| 309-162 | 1600:5 | C400 | 0.3 | 0.3 | 0.3 | 0.3 | 0.3 | 1.132 | 1.5 | 1.0 |
| 309-202 | 2000:5 | C400 | 0.3 | 0.3 | 0.3 | 0.3 | 0.3 | 1.464 | 1.5 | 1.0 |
| 309-252 | 2500:5 | C800 | 0.3 | 0.3 | 0.3 | 0.3 | 0.3 | 1.830 | 1.33 | 1.0 |
| 309-302 | 3000:5 | C800 | 0.3 | 0.3 | 0.3 | 0.3 | 0.3 | 2.196 | 1.0 | 0.8 |
| 309-322 | 3200:5 | C800 | 0.3 | 0.3 | 0.3 | 0.3 | 0.3 | 2.342 | 1.0 | 0.8 |
| 309-352 | 3500:5 | C800 | 0.3 | 0.3 | 0.3 | 0.3 | 0.3 | 2.421 | 1.0 | 0.8 |
| 309-402 | 4000:5 | C800 | 0.3 | 0.3 | 0.3 | 0.3 | 0.3 | 2.766 | 1.0 | 0.8 |

CURRENT TRANSFORMER

Model 309MR

Window Diameter 5.75"

REGULATORY AGENCY APPROVALS



Manufactured to meet the requirements of ANSI/IEEE C57.13.

Classified by U.L. in accordance with IEC 44-1

Approved for revenue metering by Industry Canada. No. AE-0681

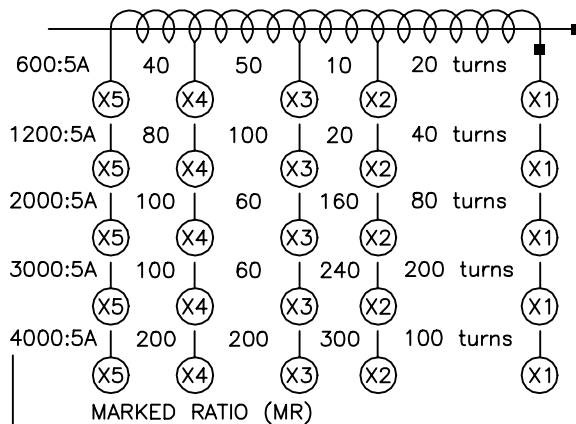
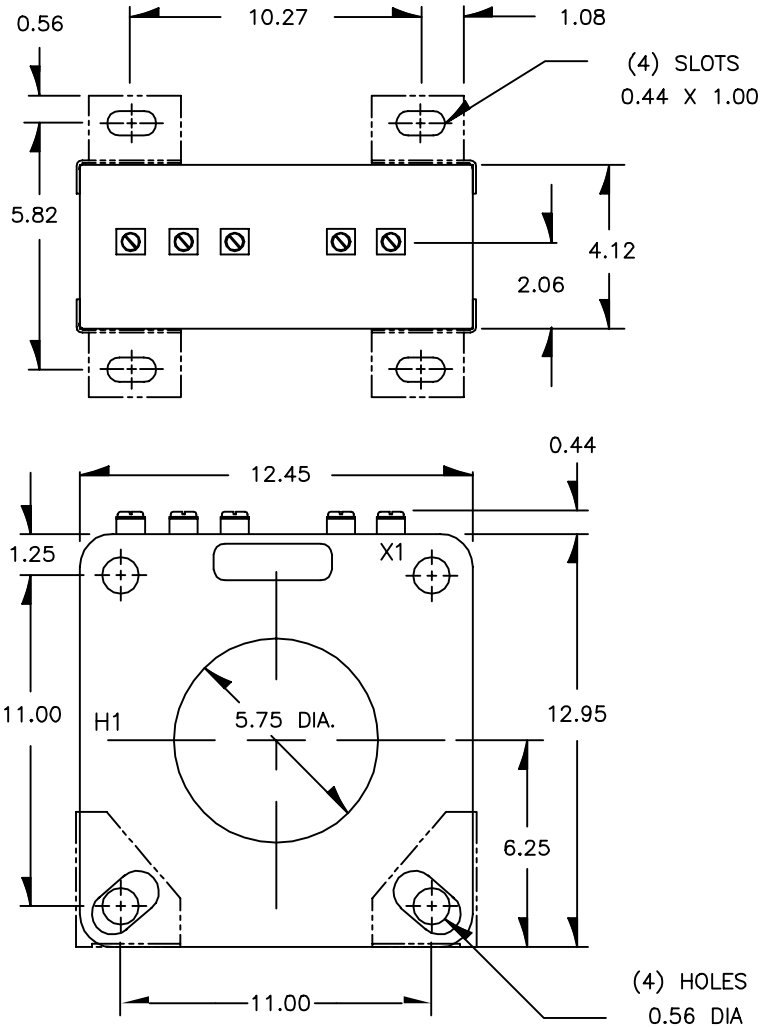
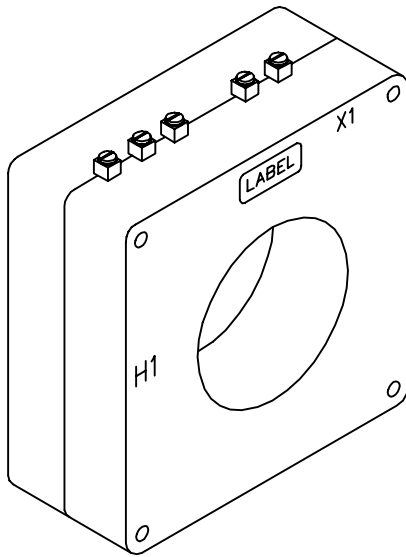
APPLICATION:
Relaying.

FREQUENCY:
50-400Hz

INSULATION LEVEL:
0.6 kV, BIL 10 kV full wave.

CONTINUOUS THERMAL CURRENT RATING FACTOR:
See TRF at curves.

- Terminals are brass screws No.10-32 with one flatwasher and lockwasher.
- The transformer winding is arranged so that the turns are fully distributed between all taps.
- Order Mounting Bracket Kit No. 0221B01525 separately.
- Approximate weight 62 lbs.



CURRENT TRANSFORMER

Model 311MR

Window Diameter 4.50"

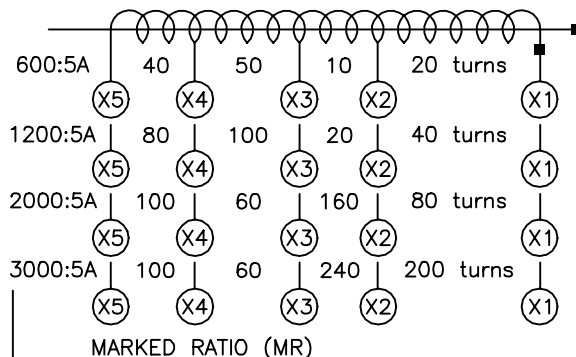
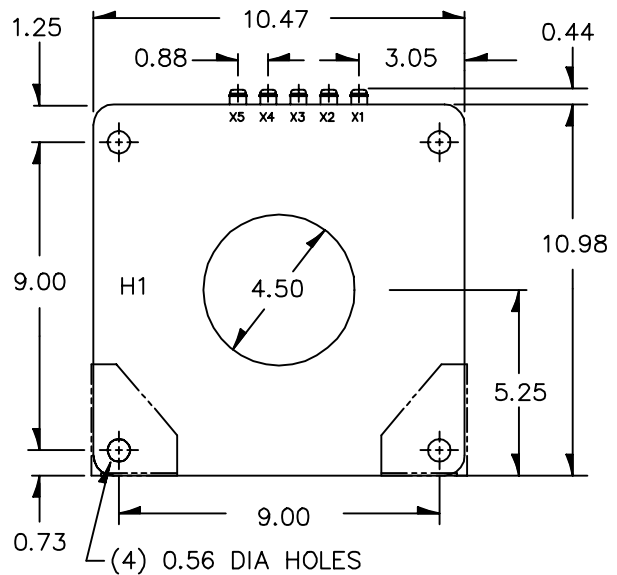
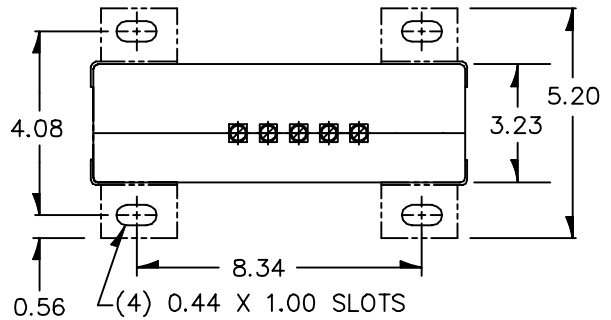
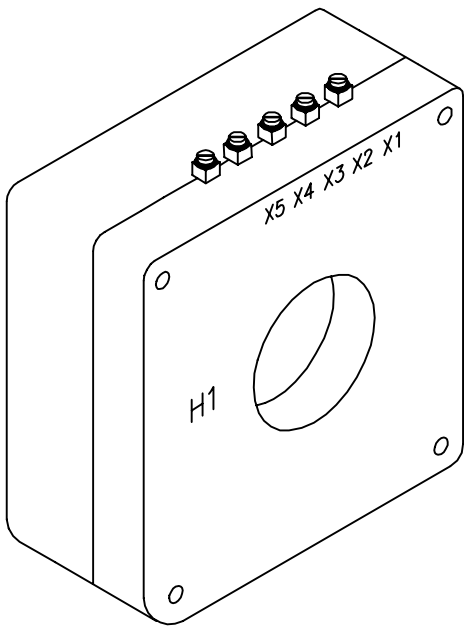
APPLICATION:
Relaying.

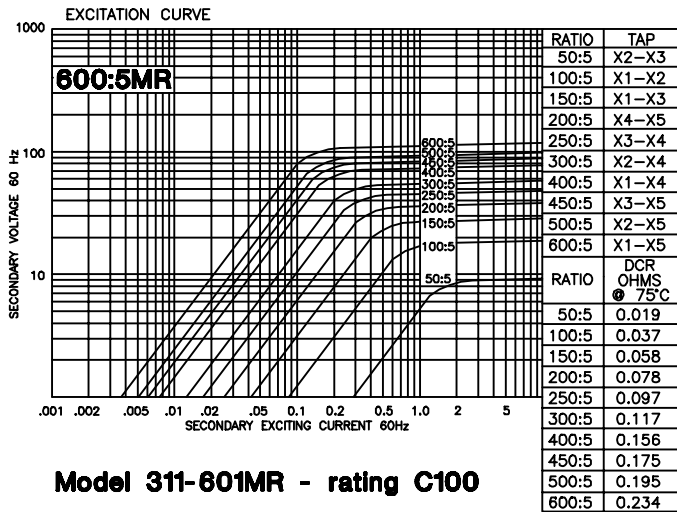
FREQUENCY:
50-400Hz

INSULATION LEVEL:
0.6 kV, BIL 10 kV full wave.

CONTINUOUS THERMAL CURRENT RATING FACTOR:
See TRF at curves.

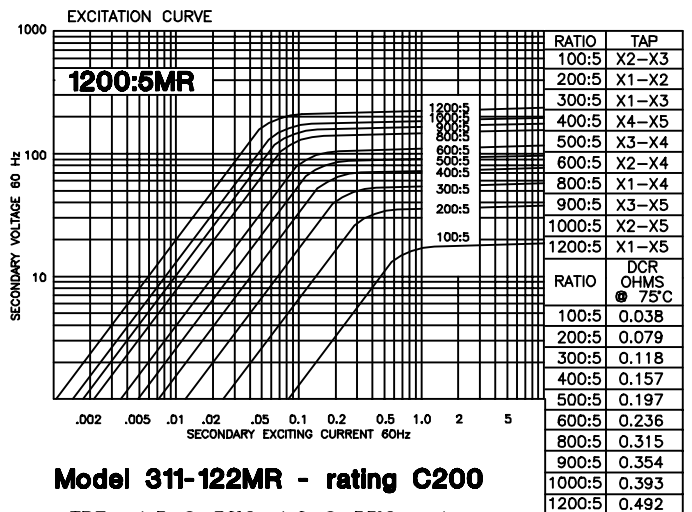
- Terminals are brass screws No.10-32 with one flatwasher and lockwasher.
- The transformer winding is arranged so that the turns are fully distributed between all taps.
- Order Mounting Bracket Kit No. 0221B01527 separately.
- Approximate weight 35 lbs.





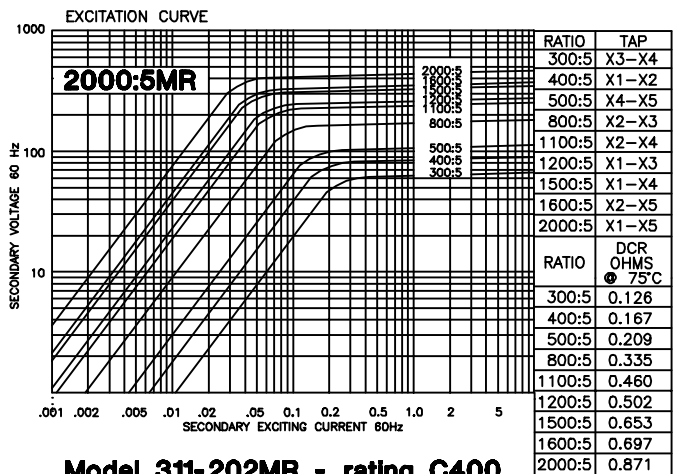
Model 311-601MR - rating C100

TRF= 2.0 @ 30°C, 1.0 @ 55°C amb.



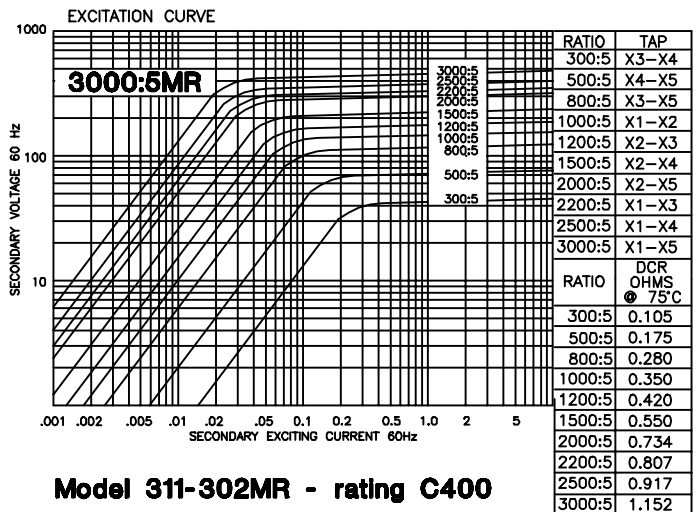
Model 311-122MR - rating C200

TRF= 1.5 @ 30°C, 1.0 @ 55°C amb.



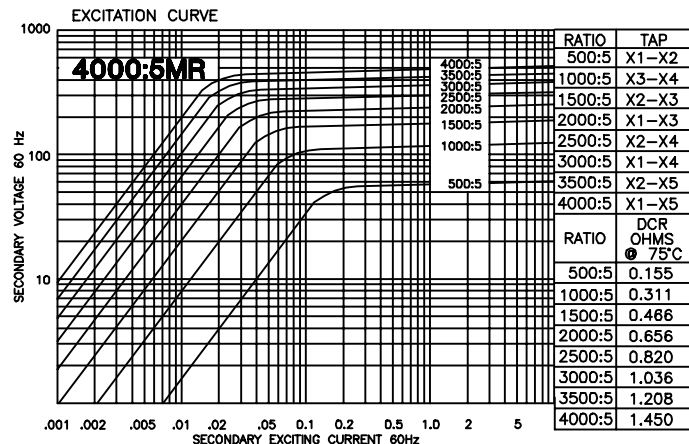
Model 311-202MR - rating C400

TRF= 1.33 @ 30°C, 1.0 @ 55°C amb.



Model 311-302MR - rating C400

TRF= 1.33 @ 30°C, 1.0 @ 55°C amb.



Model 311-402MR - rating C400

TRF= 1.00 @ 30°C, 0.8 @ 55°C amb.

CURRENT TRANSFORMER

Model 385

Window Diameter 4.50"

APPLICATION:
Relaying and metering.

FREQUENCY:
50-400 Hz.

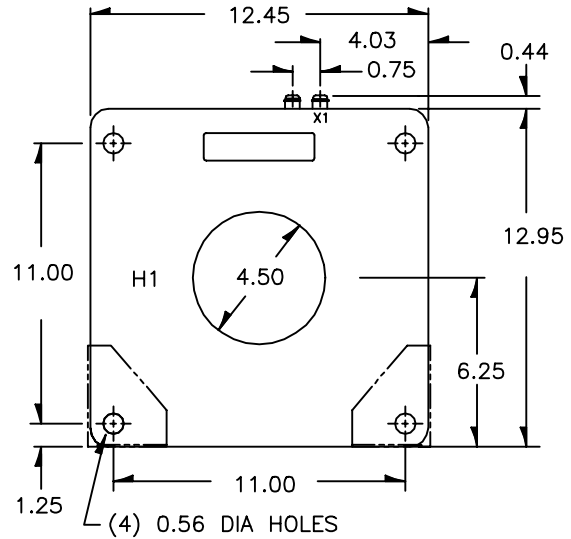
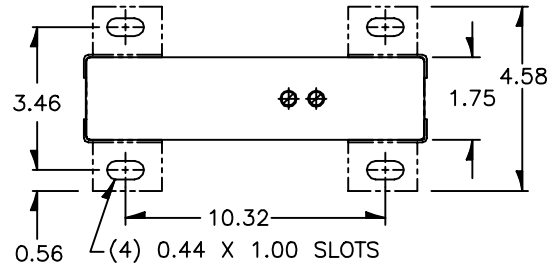
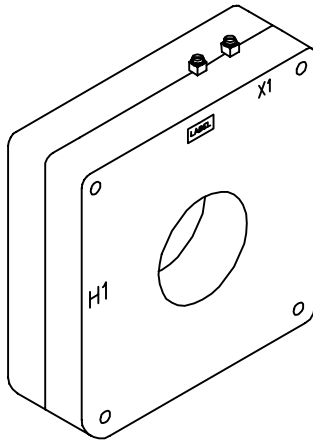
INSULATION LEVEL:
600 Volts, 10 kV BIL full wave.

- Terminals are brass screws No. 10-32 UNF with one flatwasher and lockwasher.
- Order mounting bracket kit 0221B01529 separately.
- Multi-ratios available on request.
- Approximate weight 35 lbs.

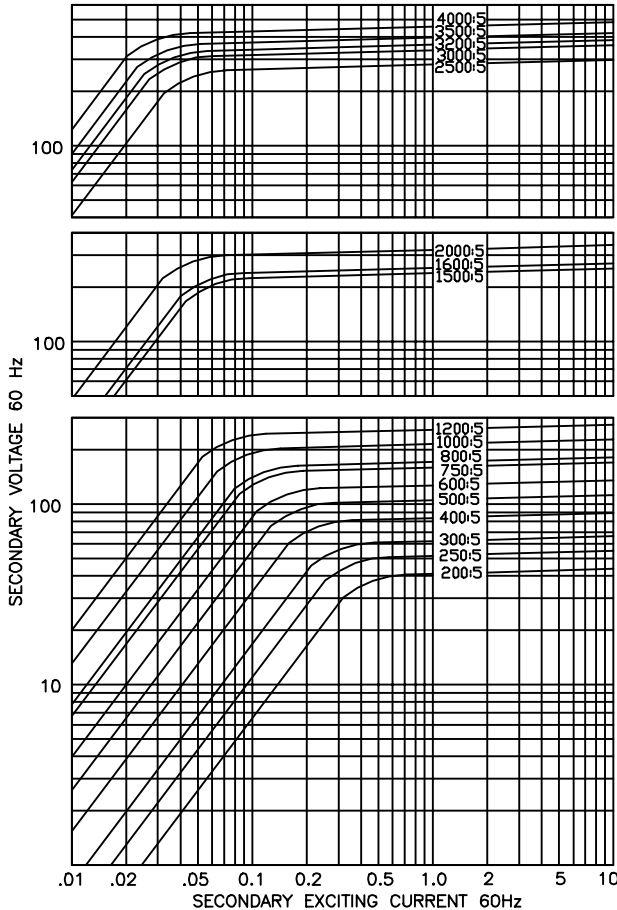
REGULATORY AGENCY APPROVALS



Manufactured to meet the requirements of ANSI/IEEE C57.13.
Classified by U.L. in accordance with IEC 44-1



EXCITATION CURVE



| CATALOG NUMBER | CURRENT RATIO | RELAY CLASS | ANSI METERING CLASS AT 60 Hz | | | | | SECONDARY WINDING RESISTANCE (OHMS @ 75 °C) | CONTINUOUS THERMAL RATING FACTOR | |
|----------------|---------------|-------------|------------------------------|------|------|------|------|---|----------------------------------|-------|
| | | | B0.1 | B0.2 | B0.5 | B0.9 | B1.8 | | @30°C | @55°C |
| 385-201 | 200:5 | C20 | 0.6 | 0.6 | 1.2 | 2.4 | 2.4 | 0.114 | 2.0 | 2.0 |
| 385-251 | 250:5 | C20 | 0.3 | 0.6 | 0.6 | 2.4 | 2.4 | 0.143 | 2.0 | 2.0 |
| 385-301 | 300:5 | C50 | 0.3 | 0.6 | 0.6 | 1.2 | 2.4 | 0.171 | 2.0 | 2.0 |
| 385-401 | 400:5 | C50 | 0.3 | 0.3 | 0.3 | 0.6 | 1.2 | 0.228 | 2.0 | 2.0 |
| 385-501 | 500:5 | C50 | 0.3 | 0.3 | 0.3 | 0.3 | 0.6 | 0.286 | 2.0 | 2.0 |
| 385-601 | 600:5 | C100 | 0.3 | 0.3 | 0.3 | 0.3 | 0.6 | 0.343 | 2.0 | 1.5 |
| 385-751 | 750:5 | C100 | 0.3 | 0.3 | 0.3 | 0.3 | 0.3 | 0.428 | 2.0 | 1.5 |
| 385-801 | 800:5 | C100 | 0.3 | 0.3 | 0.3 | 0.3 | 0.3 | 0.457 | 2.0 | 1.5 |
| 385-102 | 1000:5 | C100 | 0.3 | 0.3 | 0.3 | 0.3 | 0.3 | 0.571 | 2.0 | 1.5 |
| 385-122 | 1200:5 | C200 | 0.3 | 0.3 | 0.3 | 0.3 | 0.3 | 0.685 | 1.5 | 1.33 |
| 385-152 | 1500:5 | C200 | 0.3 | 0.3 | 0.3 | 0.3 | 0.3 | 0.631 | 1.5 | 1.33 |
| 385-162 | 1600:5 | C200 | 0.3 | 0.3 | 0.3 | 0.3 | 0.3 | 0.674 | 1.5 | 1.33 |
| 385-202 | 2000:5 | C200 | 0.3 | 0.3 | 0.3 | 0.3 | 0.3 | 0.842 | 1.5 | 1.0 |
| 385-252 | 2500:5 | C200 | 0.3 | 0.3 | 0.3 | 0.3 | 0.3 | 0.968 | 1.5 | 1.0 |
| 385-302 | 3000:5 | C200 | 0.3 | 0.3 | 0.3 | 0.3 | 0.3 | 1.162 | 1.33 | 1.0 |
| 385-322 | 3200:5 | C200 | 0.3 | 0.3 | 0.3 | 0.3 | 0.3 | 1.239 | 1.33 | 1.0 |
| 385-352 | 3500:5 | C200 | 0.3 | 0.3 | 0.3 | 0.3 | 0.3 | 1.355 | 1.33 | 1.0 |
| 385-402 | 4000:5 | C200 | 0.3 | 0.3 | 0.3 | 0.3 | 0.3 | 1.934 | 1.0 | 0.8 |

CURRENT TRANSFORMER

Model 386

Window Diameter 4.50"

APPLICATION:
Relaying and metering.

FREQUENCY:
50-400 Hz.

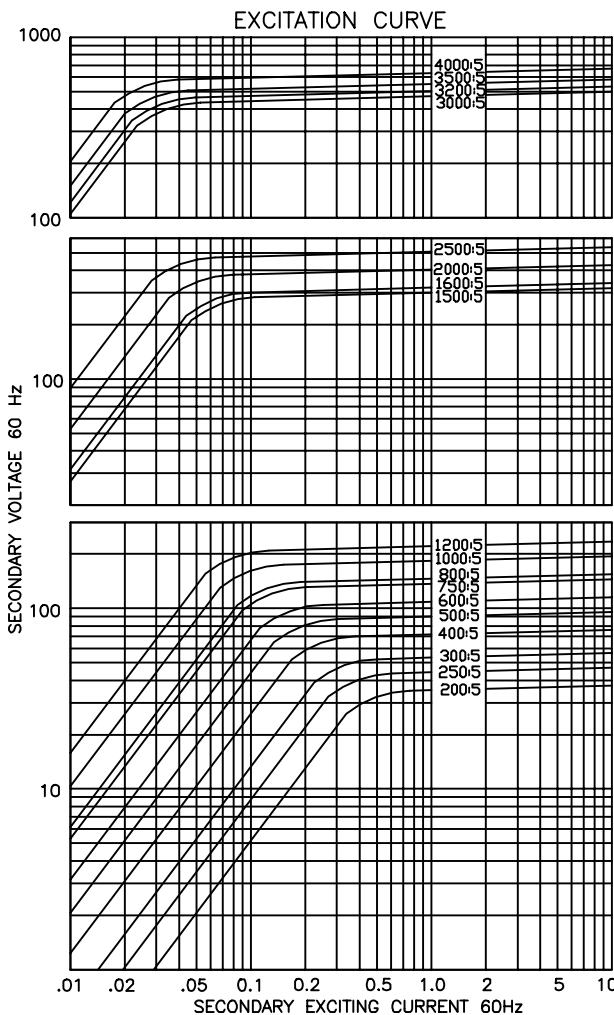
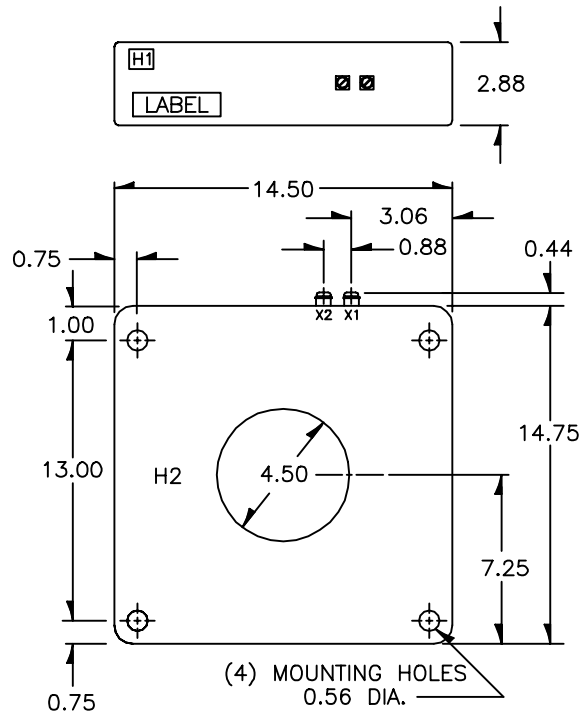
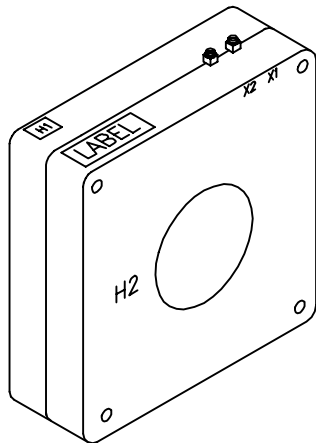
INSULATION LEVEL:
600 Volts, 10 kV BIL full wave.

REGULATORY AGENCY APPROVALS



Manufactured to meet the requirements of ANSI/IEEE C57.13.
Classified by U.L. in accordance with IEC 44-1
Approved for revenue metering by Industry Canada. No. AE-0661

- Secondary terminals are brass screws No. 10-32 UNF with one flatwasher and lockwasher.
- Multi-ratios available on request.
- Approximate weight 35 lbs.



| CATALOG NUMBER | CURRENT RATIO | RELAY CLASS | ANSI METERING CLASS AT 60 Hz | | | | | SECONDARY WINDING RESISTANCE (OHMS @ 75 °C) | CONTINUOUS THERMAL RATING FACTOR | |
|----------------|---------------|-------------|------------------------------|------|------|------|------|---|----------------------------------|-------|
| | | | B0.1 | B0.2 | B0.5 | B0.9 | B1.8 | | @30°C | @55°C |
| 386-201 | 200:5 | C20 | 0.6 | 0.6 | 1.2 | 2.4 | 4.8 | 0.061 | 2.0 | 2.0 |
| 386-251 | 250:5 | C20 | 0.3 | 0.6 | 1.2 | 1.2 | 2.4 | 0.077 | 2.0 | 2.0 |
| 386-301 | 300:5 | C50 | 0.3 | 0.3 | 0.6 | 1.2 | 2.4 | 0.092 | 2.0 | 2.0 |
| 386-401 | 400:5 | C50 | 0.3 | 0.3 | 0.3 | 0.6 | 1.2 | 0.123 | 2.0 | 2.0 |
| 386-501 | 500:5 | C50 | 0.3 | 0.3 | 0.3 | 0.6 | 0.6 | 0.153 | 2.0 | 2.0 |
| 386-601 | 600:5 | C100 | 0.3 | 0.3 | 0.3 | 0.3 | 0.6 | 0.184 | 2.0 | 2.0 |
| 386-751 | 750:5 | C100 | 0.3 | 0.3 | 0.3 | 0.3 | 0.3 | 0.230 | 2.0 | 2.0 |
| 386-801 | 800:5 | C100 | 0.3 | 0.3 | 0.3 | 0.3 | 0.3 | 0.245 | 2.0 | 2.0 |
| 386-102 | 1000:5 | C100 | 0.3 | 0.3 | 0.3 | 0.3 | 0.3 | 0.307 | 2.0 | 1.5 |
| 386-122 | 1200:5 | C200 | 0.3 | 0.3 | 0.3 | 0.3 | 0.3 | 0.368 | 2.0 | 1.5 |
| 386-152 | 1500:5 | C200 | 0.3 | 0.3 | 0.3 | 0.3 | 0.3 | 0.502 | 2.0 | 1.5 |
| 386-162 | 1600:5 | C200 | 0.3 | 0.3 | 0.3 | 0.3 | 0.3 | 0.535 | 2.0 | 1.5 |
| 386-202 | 2000:5 | C200 | 0.3 | 0.3 | 0.3 | 0.3 | 0.3 | 0.669 | 1.5 | 1.33 |
| 386-252 | 2500:5 | C400 | 0.3 | 0.3 | 0.3 | 0.3 | 0.3 | 0.836 | 1.5 | 1.0 |
| 386-302 | 3000:5 | C400 | 0.3 | 0.3 | 0.3 | 0.3 | 0.3 | 0.933 | 1.5 | 1.0 |
| 386-322 | 3200:5 | C400 | 0.3 | 0.3 | 0.3 | 0.3 | 0.3 | 0.995 | 1.5 | 1.0 |
| 386-352 | 3500:5 | C400 | 0.3 | 0.3 | 0.3 | 0.3 | 0.3 | 1.083 | 1.5 | 1.0 |
| 386-402 | 4000:5 | C400 | 0.3 | 0.3 | 0.3 | 0.3 | 0.3 | 1.244 | 1.33 | 1.0 |

CURRENT TRANSFORMER

Model 386MR

Window Diameter 4.50"

APPLICATION:
Relaying and metering.

FREQUENCY:
50–400 Hz.

INSULATION LEVEL:
0.6 kV, BIL 10 kV full wave.

REGULATORY AGENCY APPROVALS



Manufactured to meet the requirements of ANSI/IEEE C57.13.
Classified by U.L. in accordance with IEC 44-1

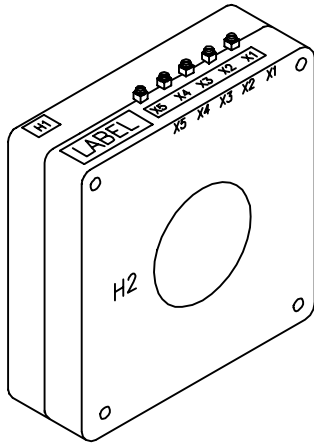
Approved for revenue metering by Industry Canada. No. AE-0661

CONTINUOUS THERMAL CURRENT RATING FACTOR:

See TRF at curves.

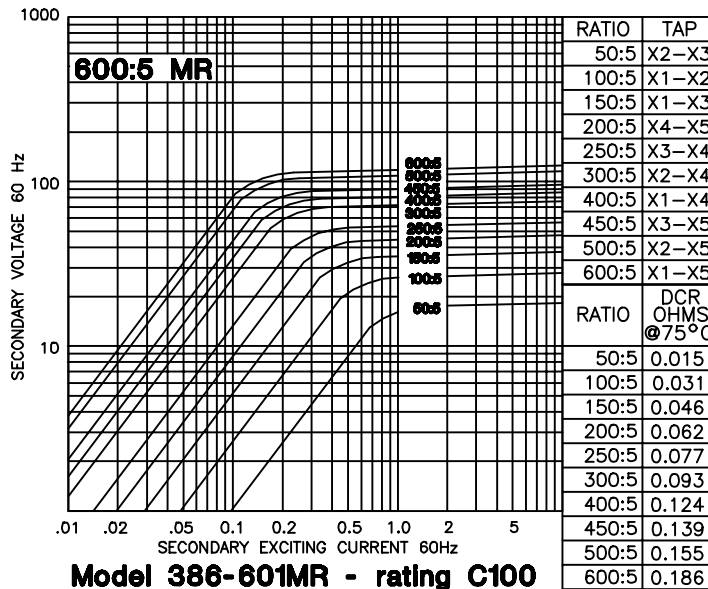
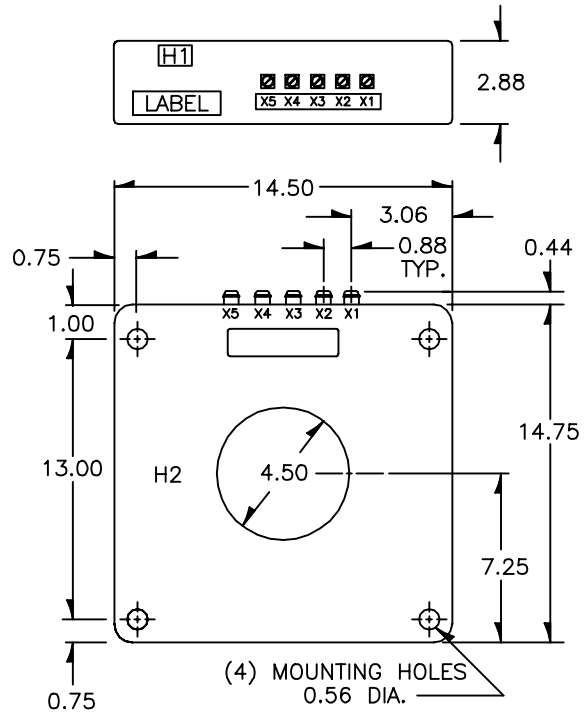
- Secondary terminals are brass screws No. 10–32 UNF with one flatwasher and lockwasher.

- Approximate weight 35 lbs.

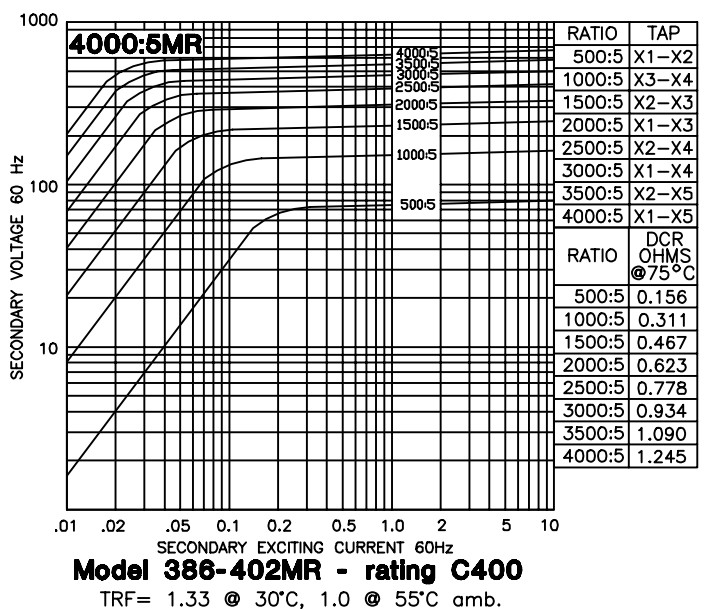
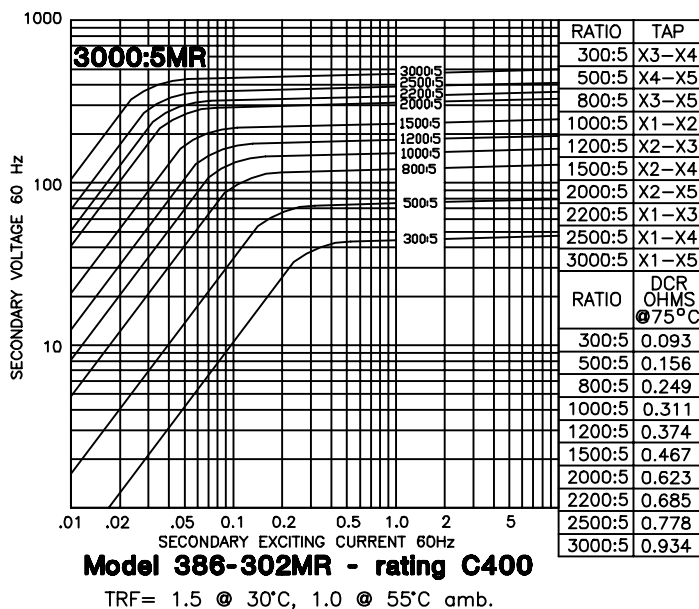
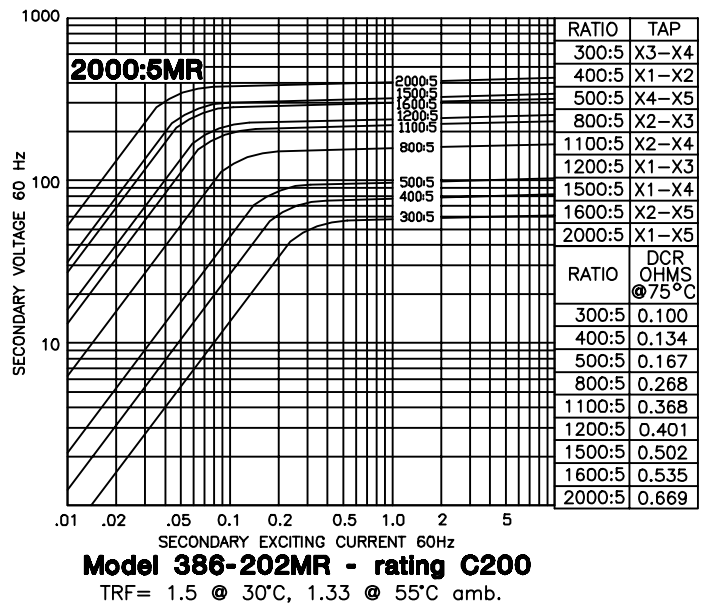
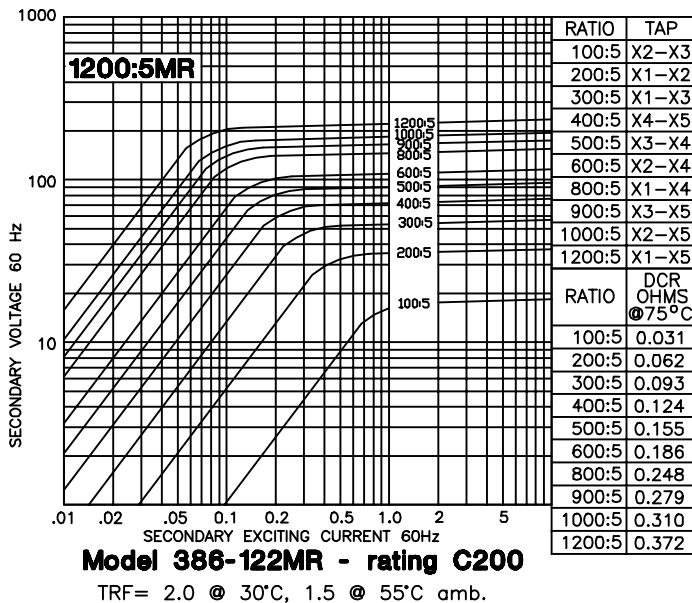


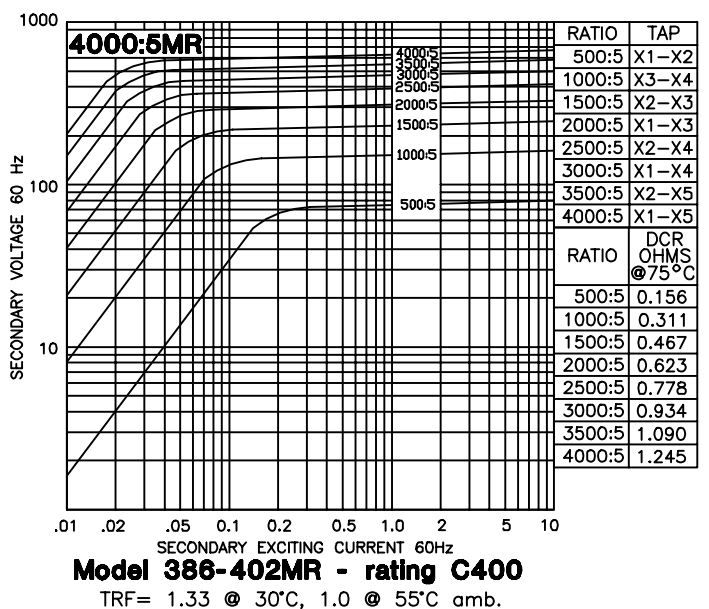
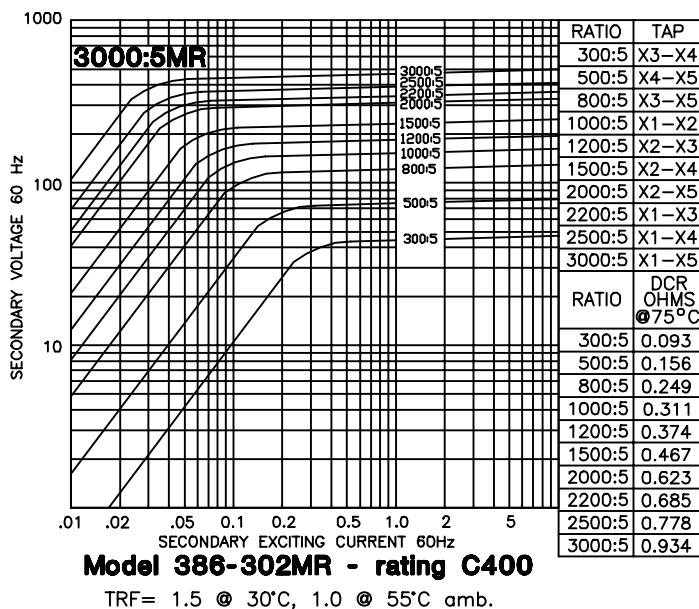
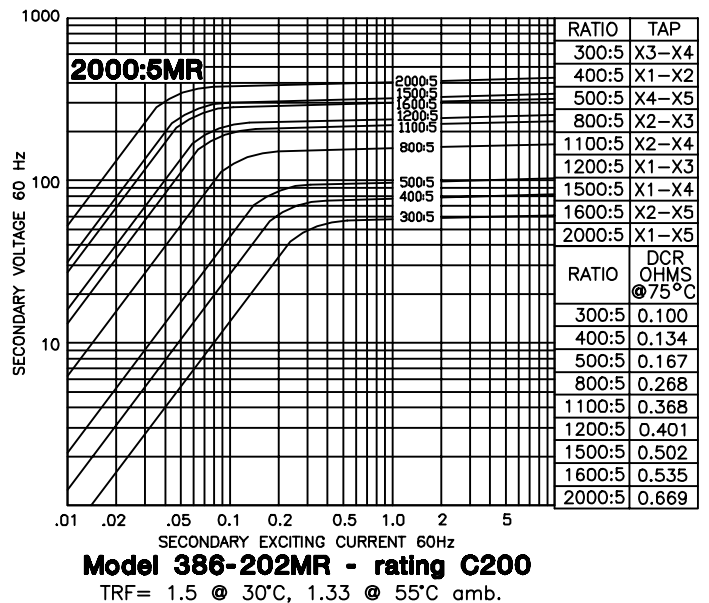
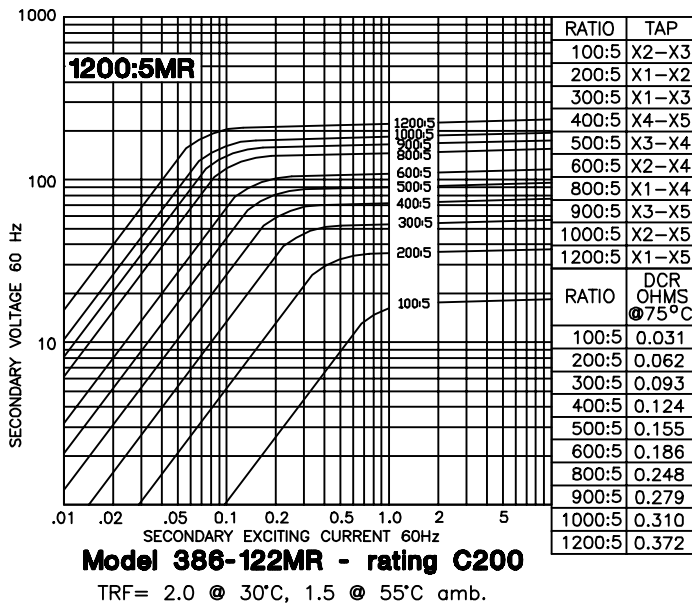
| | | | | | | | | | |
|---------|-----|-----|-----|-----------|----|----|----|----|----|
| 600:5A | 40 | 50 | 10 | 20 turns | X5 | X4 | X3 | X2 | X1 |
| 1200:5A | 80 | 100 | 20 | 40 turns | X5 | X4 | X3 | X2 | X1 |
| 2000:5A | 100 | 60 | 160 | 80 turns | X5 | X4 | X3 | X2 | X1 |
| 3000:5A | 100 | 60 | 240 | 200 turns | X5 | X4 | X3 | X2 | X1 |
| 4000:5A | 200 | 200 | 300 | 100 turns | X5 | X4 | X3 | X2 | X1 |

MARKED RATIO (MR)



TRF= 2.0 @ 30°C, 2.0 @ 55°C amb.





CURRENT TRANSFORMER

Model 387

Window Diameter 4.50"

APPLICATION:
Relaying and metering.

FREQUENCY:
50-400 Hz.

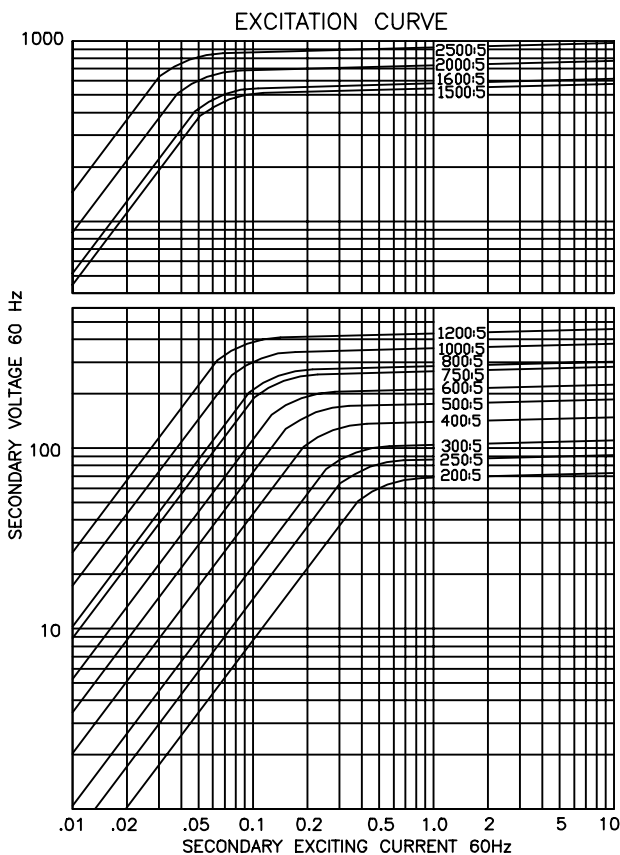
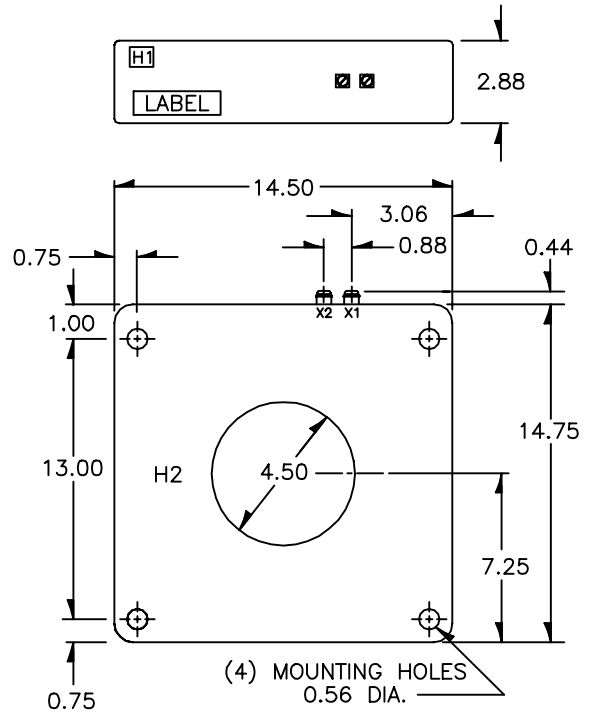
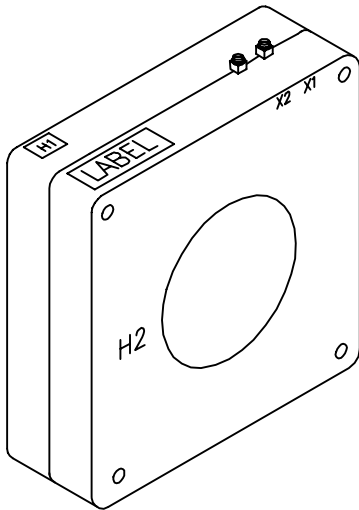
INSULATION LEVEL:
600 Volts, 10 kV BIL full wave.

REGULATORY AGENCY APPROVALS



Manufactured to meet the requirements of ANSI/IEEE C57.13.
Classified by U.L. in accordance with IEC 44-1
Approved for revenue metering by Industry Canada. No. AE-0652

- Secondary terminals are brass screws No. 10-32 UNF with one flatwasher and lockwasher.
- Multi-ratios available on request.
- Approximate weight 70 lbs.



| CATALOG NUMBER | CURRENT RATIO | RELAY CLASS | ANSI METERING CLASS AT 60 Hz | | | | | SECONDARY WINDING RESISTANCE (OHMS @ 75 °C) | CONTINUOUS THERMAL RATING FACTOR | |
|----------------|---------------|-------------|------------------------------|------|------|------|------|---|----------------------------------|-------|
| | | | B0.1 | B0.2 | B0.5 | B0.9 | B1.8 | | @30°C | @55°C |
| 387-201 | 200:5 | C50 | 0.3 | 0.6 | 1.2 | 1.2 | 2.4 | 0.087 | 2.0 | 2.0 |
| 387-251 | 250:5 | C50 | 0.3 | 0.3 | 0.6 | 1.2 | 1.2 | 0.109 | 2.0 | 2.0 |
| 387-301 | 300:5 | C100 | 0.3 | 0.3 | 0.6 | 0.6 | 1.2 | 0.130 | 2.0 | 2.0 |
| 387-401 | 400:5 | C100 | 0.3 | 0.3 | 0.3 | 0.6 | 0.6 | 0.174 | 2.0 | 2.0 |
| 387-501 | 500:5 | C100 | 0.3 | 0.3 | 0.3 | 0.6 | 0.6 | 0.217 | 2.0 | 2.0 |
| 387-601 | 600:5 | C200 | 0.3 | 0.3 | 0.3 | 0.3 | 0.3 | 0.261 | 2.0 | 2.0 |
| 387-751 | 750:5 | C200 | 0.3 | 0.3 | 0.3 | 0.3 | 0.3 | 0.326 | 2.0 | 2.0 |
| 387-801 | 800:5 | C200 | 0.3 | 0.3 | 0.3 | 0.3 | 0.3 | 0.348 | 2.0 | 2.0 |
| 387-102 | 1000:5 | C200 | 0.3 | 0.3 | 0.3 | 0.3 | 0.3 | 0.435 | 2.0 | 2.0 |
| 387-122 | 1200:5 | C400 | 0.3 | 0.3 | 0.3 | 0.3 | 0.3 | 0.522 | 2.0 | 1.5 |
| 387-152 | 1500:5 | C400 | 0.3 | 0.3 | 0.3 | 0.3 | 0.3 | 0.674 | 2.0 | 1.5 |
| 387-162 | 1600:5 | C400 | 0.3 | 0.3 | 0.3 | 0.3 | 0.3 | 0.719 | 2.0 | 1.5 |
| 387-202 | 2000:5 | C400 | 0.3 | 0.3 | 0.3 | 0.3 | 0.3 | 0.899 | 1.5 | 1.33 |
| 387-252 | 2500:5 | C800 | 0.3 | 0.3 | 0.3 | 0.3 | 0.3 | 1.123 | 1.5 | 1.0 |

CURRENT TRANSFORMER

Model 387MR

Window Diameter 4.50"

APPLICATION:
Relaying and metering.

FREQUENCY:
50–400 Hz.

INSULATION LEVEL:
0.6 kV, BIL 10 kV full wave.

REGULATORY AGENCY APPROVALS



Manufactured to meet the requirements of ANSI/IEEE C57.13.
Classified by U.L. in accordance with IEC 44-1

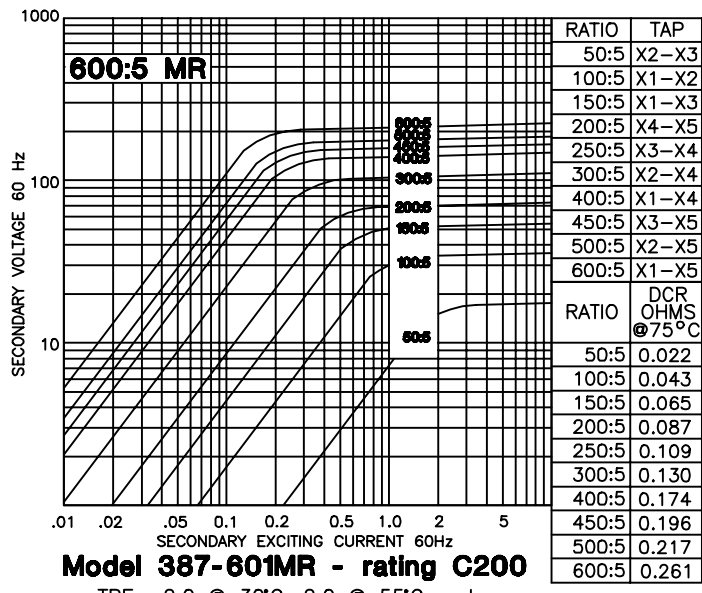
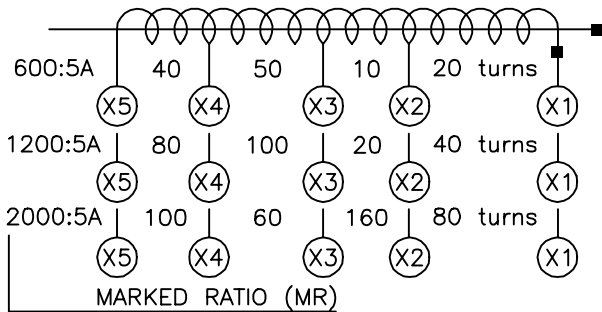
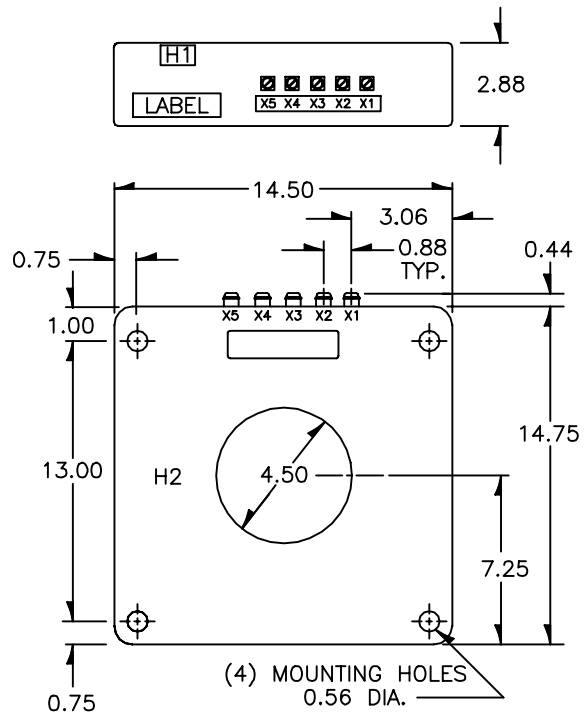
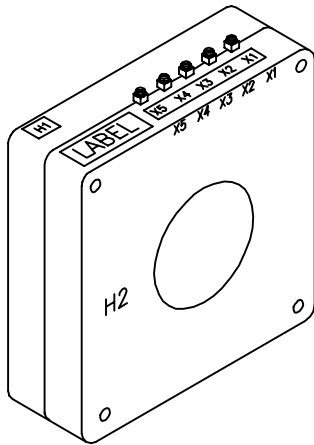
Approved for revenue metering by Industry Canada. No. AE-0652

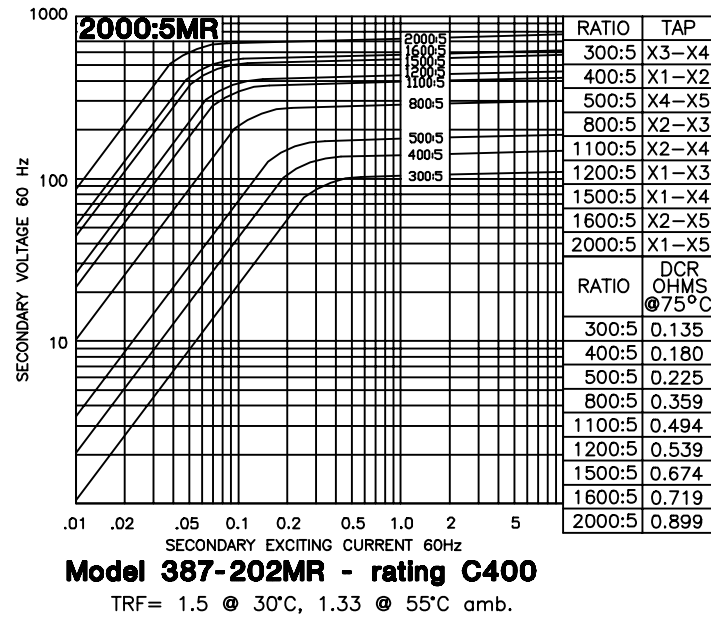
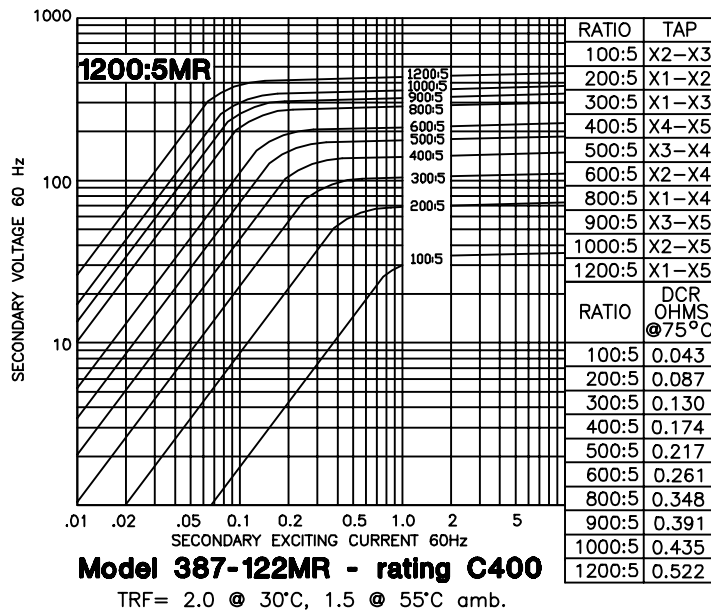
CONTINUOUS THERMAL CURRENT RATING FACTOR:

See TRF at curves.

- Secondary terminals are brass screws No. 10–32 UNF with one flatwasher and lockwasher.

- Approximate weight 70 lbs.





CURRENT TRANSFORMER

Model 388

Window Diameter 5.75"

APPLICATION:
Relaying and metering.

FREQUENCY:
50–400 Hz.

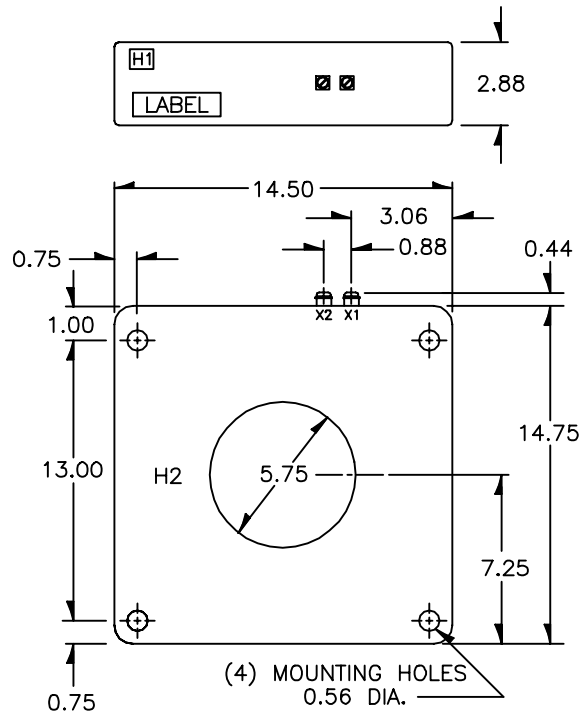
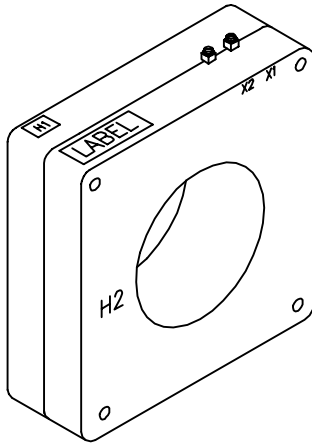
INSULATION LEVEL:
600 Volts, 10 kV BIL full wave.

- Secondary terminals are brass screws No. 10–32 UNF with one flatwasher and lockwasher.
- Multi-ratios available on request.
- Approximate weight 35 lbs.

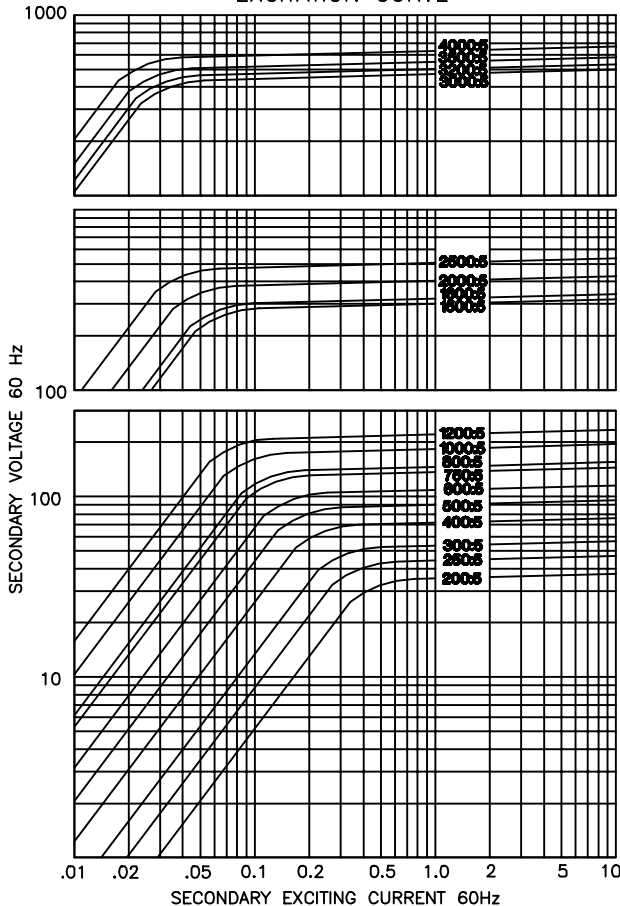
REGULATORY AGENCY APPROVALS



Manufactured to meet the requirements of ANSI/IEEE C57.13.
Classified by U.L. in accordance with IEC 44–1



EXCITATION CURVE



| CATALOG NUMBER | CURRENT RATIO | RELAY CLASS | ANSI METERING CLASS AT 60 Hz | | | | | SECONDARY WINDING RESISTANCE (OHMS @ 75 °C) | CONTINUOUS THERMAL RATING FACTOR | |
|----------------|---------------|-------------|------------------------------|------|------|------|------|---|----------------------------------|--------|
| | | | B0.1 | B0.2 | B0.5 | B0.9 | B1.8 | | @ 30°C | @ 55°C |
| 388-201 | 200:5 | C20 | 0.6 | 0.6 | 1.2 | 2.4 | 4.8 | 0.061 | 2.0 | 2.0 |
| 388-251 | 250:5 | C20 | 0.3 | 0.6 | 1.2 | 2.4 | 2.4 | 0.077 | 2.0 | 2.0 |
| 388-301 | 300:5 | C50 | 0.3 | 0.3 | 0.6 | 1.2 | 2.4 | 0.092 | 2.0 | 2.0 |
| 388-401 | 400:5 | C50 | 0.3 | 0.3 | 0.3 | 0.6 | 1.2 | 0.123 | 2.0 | 2.0 |
| 388-501 | 500:5 | C50 | 0.3 | 0.3 | 0.3 | 0.6 | 0.6 | 0.153 | 2.0 | 2.0 |
| 388-601 | 600:5 | C100 | 0.3 | 0.3 | 0.3 | 0.3 | 0.6 | 0.184 | 2.0 | 2.0 |
| 388-751 | 750:5 | C100 | 0.3 | 0.3 | 0.3 | 0.3 | 0.3 | 0.230 | 2.0 | 2.0 |
| 388-801 | 800:5 | C100 | 0.3 | 0.3 | 0.3 | 0.3 | 0.3 | 0.245 | 2.0 | 2.0 |
| 388-102 | 1000:5 | C100 | 0.3 | 0.3 | 0.3 | 0.3 | 0.3 | 0.307 | 2.0 | 1.5 |
| 388-122 | 1200:5 | C200 | 0.3 | 0.3 | 0.3 | 0.3 | 0.3 | 0.368 | 2.0 | 1.5 |
| 388-152 | 1500:5 | C200 | 0.3 | 0.3 | 0.3 | 0.3 | 0.3 | 0.502 | 2.0 | 1.5 |
| 388-162 | 1600:5 | C200 | 0.3 | 0.3 | 0.3 | 0.3 | 0.3 | 0.535 | 2.0 | 1.5 |
| 388-202 | 2000:5 | C200 | 0.3 | 0.3 | 0.3 | 0.3 | 0.3 | 0.669 | 1.5 | 1.33 |
| 388-252 | 2500:5 | C400 | 0.3 | 0.3 | 0.3 | 0.3 | 0.3 | 0.836 | 1.5 | 1.0 |
| 388-302 | 3000:5 | C400 | 0.3 | 0.3 | 0.3 | 0.3 | 0.3 | 0.933 | 1.5 | 1.0 |
| 388-322 | 3200:5 | C400 | 0.3 | 0.3 | 0.3 | 0.3 | 0.3 | 0.995 | 1.5 | 1.0 |
| 388-352 | 3500:5 | C400 | 0.3 | 0.3 | 0.3 | 0.3 | 0.3 | 1.083 | 1.5 | 1.0 |
| 388-402 | 4000:5 | C400 | 0.3 | 0.3 | 0.3 | 0.3 | 0.3 | 1.244 | 1.33 | 1.0 |

CURRENT TRANSFORMER

Model 388MR

Window Diameter 5.75"

APPLICATION:
Relaying and metering.

FREQUENCY:
50–400 Hz.

INSULATION LEVEL:
0.6 kV, BIL 10 kV full wave.

REGULATORY AGENCY APPROVALS



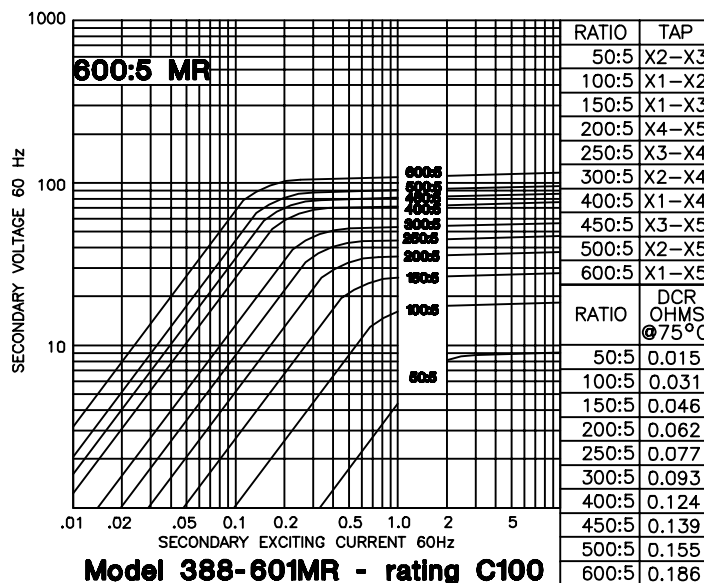
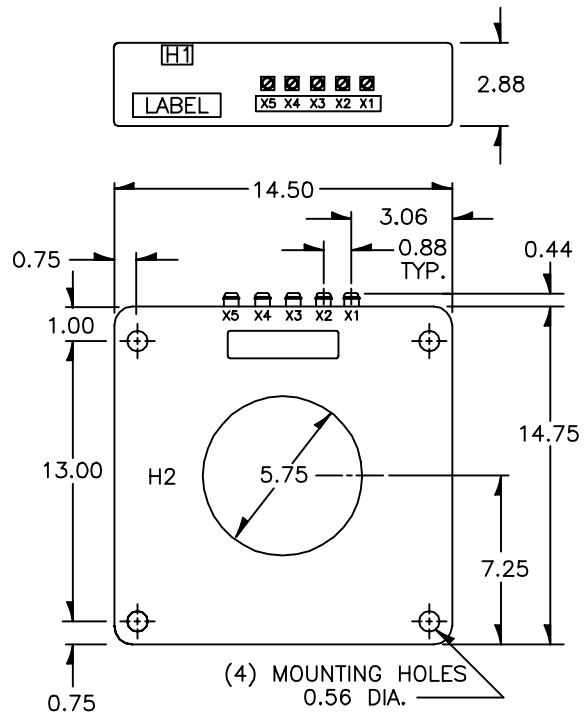
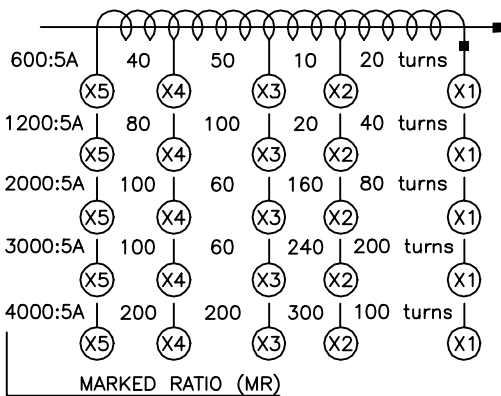
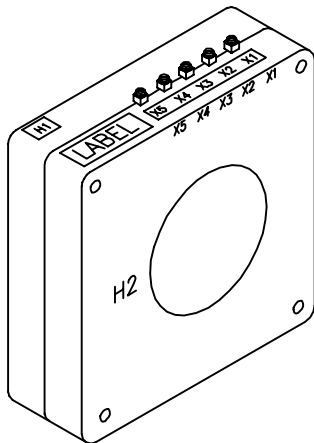
Manufactured to meet the requirements of ANSI/IEEE C57.13.
Classified by U.L. in accordance with IEC 44-1

CONTINUOUS THERMAL CURRENT RATING FACTOR:

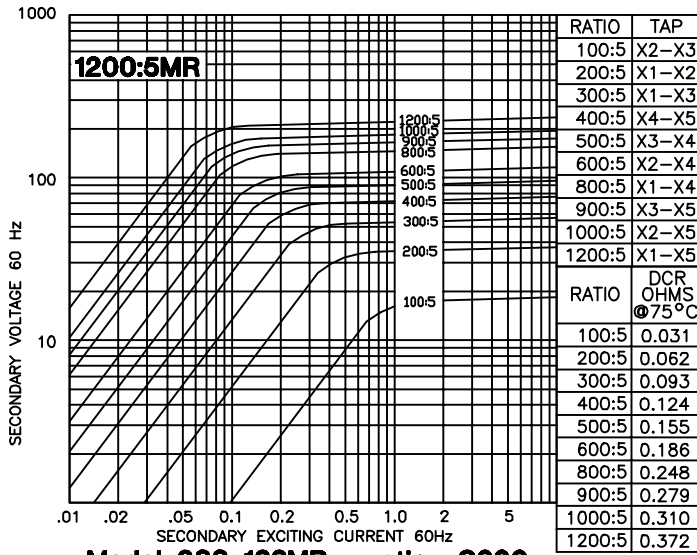
See TRF at curves.

- Secondary terminals are brass screws No. 10–32 UNF with one flatwasher and lockwasher.

- Approximate weight 35 lbs.

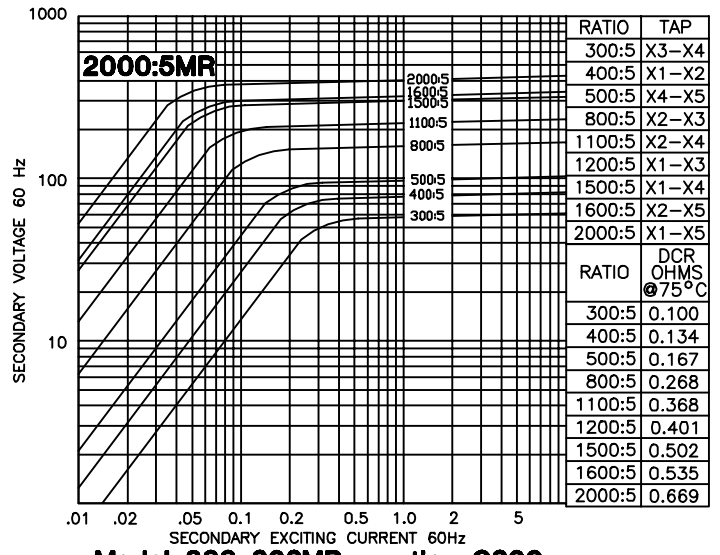


TRF= 2.0 @ 30°C, 2.0 @ 55°C amb.



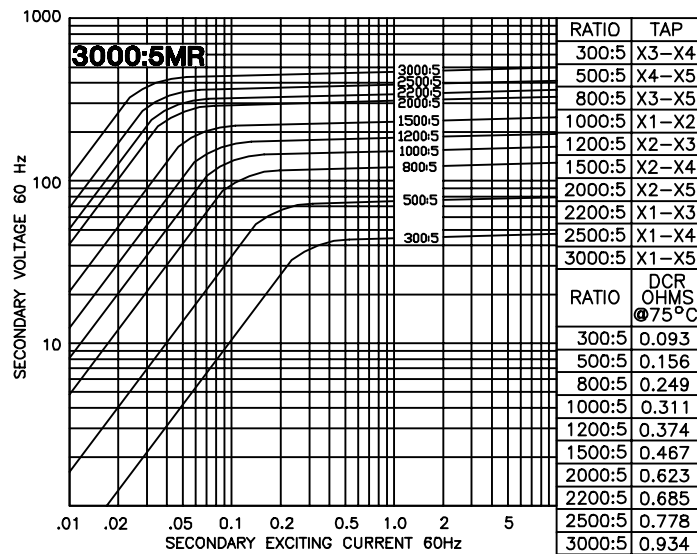
Model 388-122MR - rating C200

TRF= 2.0 @ 30°C, 1.5 @ 55°C amb.



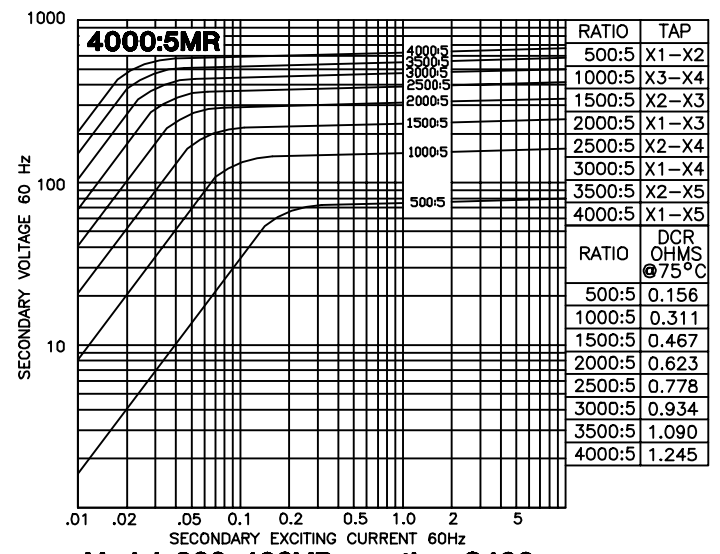
Model 388-202MR - rating C200

TRF= 1.5 @ 30°C, 1.33 @ 55°C amb.



Model 388-302MR - rating C400

TRF= 1.5 @ 30°C, 1.0 @ 55°C amb.



Model 388-402MR - rating C400

TRF= 1.33 @ 30°C, 1.0 @ 55°C amb.

CURRENT TRANSFORMER

Model 389

Window Diameter 5.75"

APPLICATION:
Relaying and metering.

FREQUENCY:
50-400 Hz.

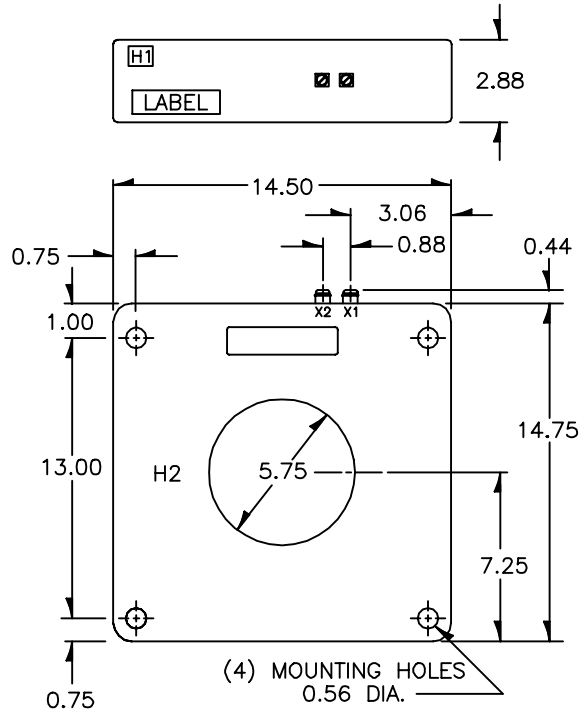
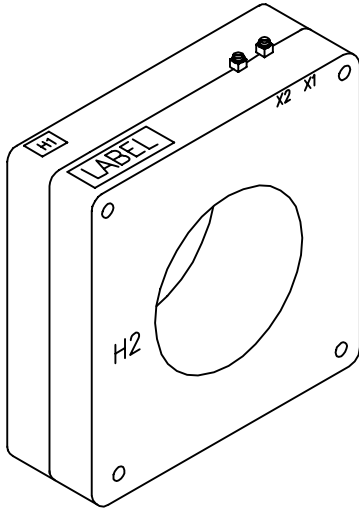
INSULATION LEVEL:
600 Volts, 10 kV BIL full wave.

- Secondary terminals are brass screws No. 10-32 UNF with one flatwasher and lockwasher.
- Multi-ratios available on request.
- Approximate weight 70 lbs.

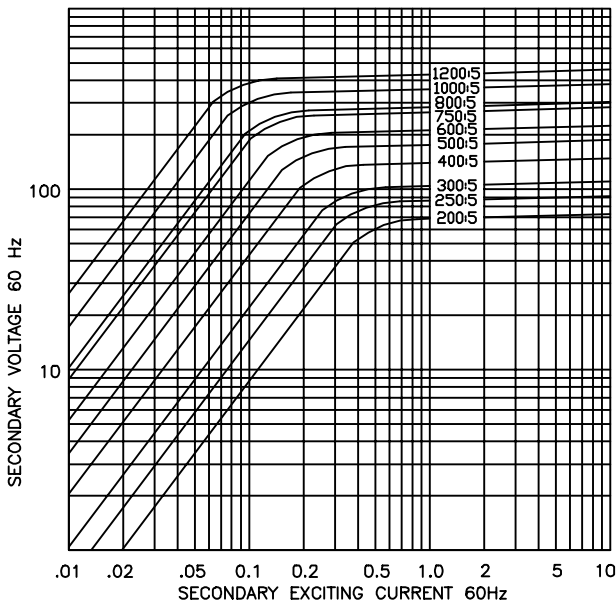
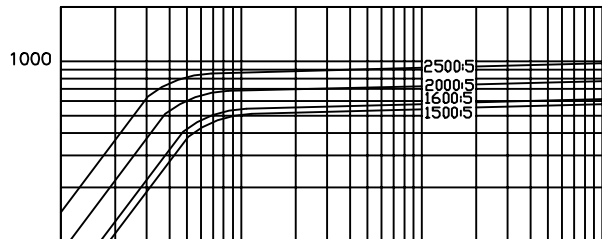
REGULATORY AGENCY APPROVALS



Manufactured to meet the requirements of ANSI/IEEE C57.13.
Classified by U.L. in accordance with IEC 44-1



EXCITATION CURVE



| CATALOG NUMBER | CURRENT RATIO | RELAY CLASS | ANSI METERING CLASS AT 60 Hz | | | | | SECONDARY WINDING RESISTANCE (OHMS @ 75 °C) | CONTINUOUS THERMAL RATING FACTOR | |
|----------------|---------------|-------------|------------------------------|------|------|------|------|---|----------------------------------|-------|
| | | | B0.1 | B0.2 | B0.5 | B0.9 | B1.8 | | @30°C | @55°C |
| 389-201 | 200:5 | C50 | 0.3 | 0.6 | 1.2 | 1.2 | 2.4 | 0.087 | 2.0 | 2.0 |
| 389-251 | 250:5 | C50 | 0.3 | 0.3 | 0.6 | 1.2 | 1.2 | 0.109 | 2.0 | 2.0 |
| 389-301 | 300:5 | C100 | 0.3 | 0.3 | 0.6 | 0.6 | 1.2 | 0.130 | 2.0 | 2.0 |
| 389-401 | 400:5 | C100 | 0.3 | 0.3 | 0.3 | 0.6 | 0.6 | 0.174 | 2.0 | 2.0 |
| 389-501 | 500:5 | C100 | 0.3 | 0.3 | 0.3 | 0.6 | 0.6 | 0.217 | 2.0 | 2.0 |
| 389-601 | 600:5 | C200 | 0.3 | 0.3 | 0.3 | 0.3 | 0.3 | 0.261 | 2.0 | 2.0 |
| 389-751 | 750:5 | C200 | 0.3 | 0.3 | 0.3 | 0.3 | 0.3 | 0.326 | 2.0 | 2.0 |
| 389-801 | 800:5 | C200 | 0.3 | 0.3 | 0.3 | 0.3 | 0.3 | 0.348 | 2.0 | 2.0 |
| 389-102 | 1000:5 | C200 | 0.3 | 0.3 | 0.3 | 0.3 | 0.3 | 0.435 | 2.0 | 2.0 |
| 389-122 | 1200:5 | C400 | 0.3 | 0.3 | 0.3 | 0.3 | 0.3 | 0.522 | 2.0 | 1.5 |
| 389-152 | 1500:5 | C400 | 0.3 | 0.3 | 0.3 | 0.3 | 0.3 | 0.674 | 2.0 | 1.5 |
| 389-162 | 1600:5 | C400 | 0.3 | 0.3 | 0.3 | 0.3 | 0.3 | 0.719 | 2.0 | 1.5 |
| 389-202 | 2000:5 | C400 | 0.3 | 0.3 | 0.3 | 0.3 | 0.3 | 0.899 | 1.5 | 1.33 |
| 389-252 | 2500:5 | C800 | 0.3 | 0.3 | 0.3 | 0.3 | 0.3 | 1.123 | 1.5 | 1.0 |

CURRENT TRANSFORMER

Model 389MR

Window Diameter 5.75"

APPLICATION:
Relaying and metering.

FREQUENCY:
50–400 Hz.

INSULATION LEVEL:
0.6 kV, BIL 10 kV full wave.

REGULATORY AGENCY APPROVALS



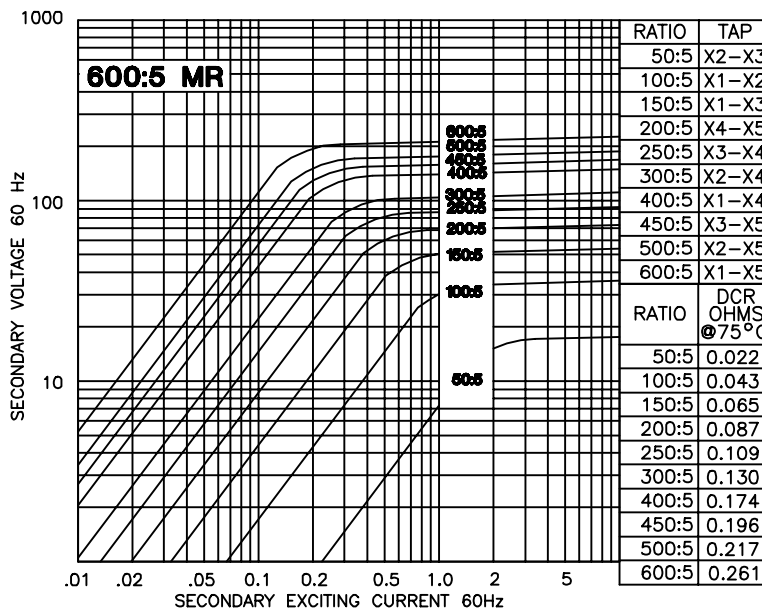
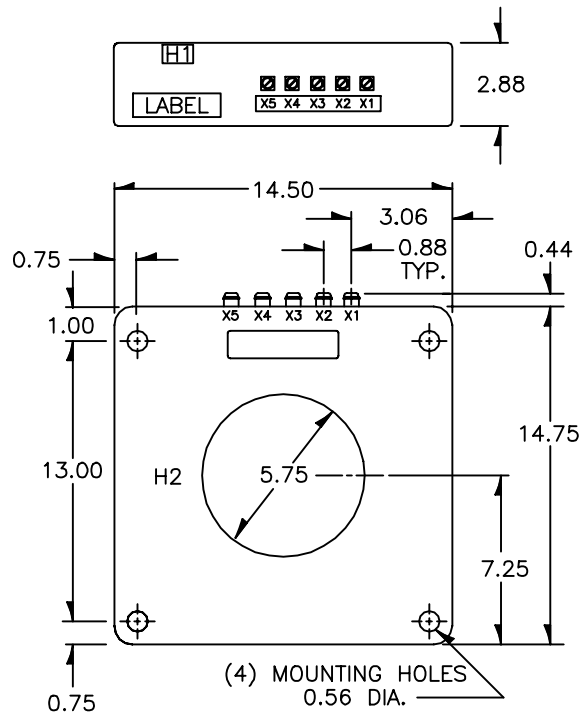
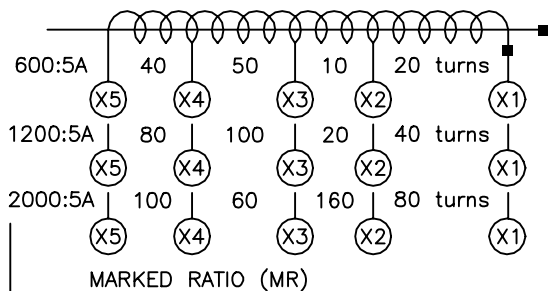
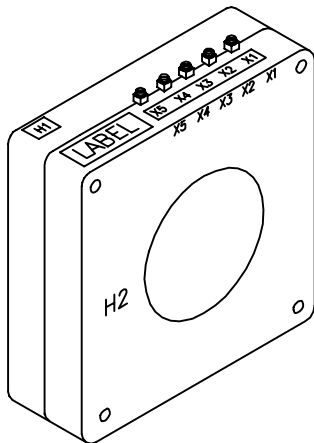
Manufactured to meet the requirements of ANSI/IEEE C57.13.
Classified by U.L. in accordance with IEC 44-1

CONTINUOUS THERMAL CURRENT RATING FACTOR:

See TRF at curves.

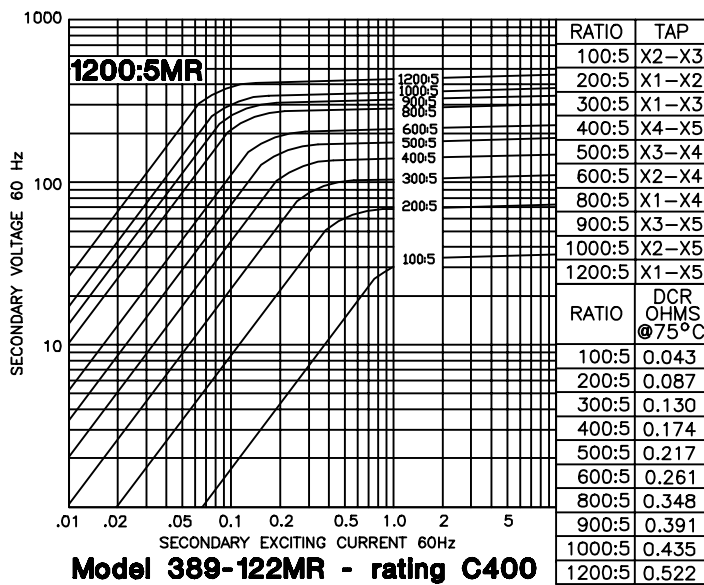
- Secondary terminals are brass screws No. 10–32 UNF with one flatwasher and lockwasher.

- Approximate weight 70 lbs.



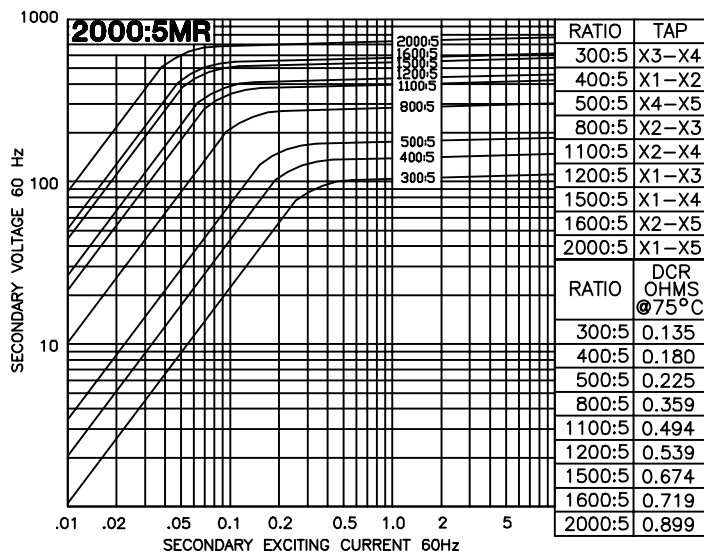
Model 389-601MR - rating C200

TRF= 2.0 @ 30°C, 2.0 @ 55°C amb.



Model 389-122MR - rating C400

TRF= 2.0 @ 30°C, 1.5 @ 55°C amb.



Model 389-202MR - rating C400

TRF= 1.5 @ 30°C, 1.33 @ 55°C amb.

CURRENT TRANSFORMERS

Models 605, 607

Window Diameters
1.47", 2.31"

APPLICATION:
Ammeters and wattmeters.

FREQUENCY:
50-400 Hz.

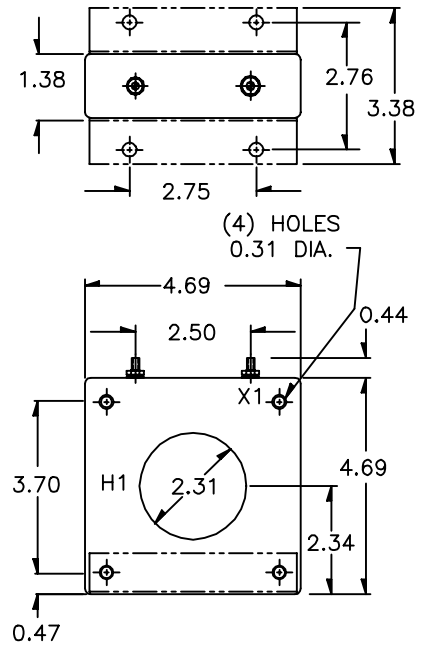
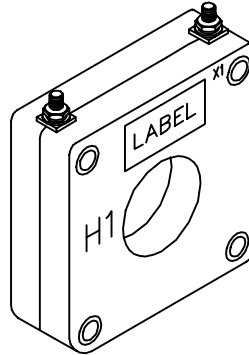
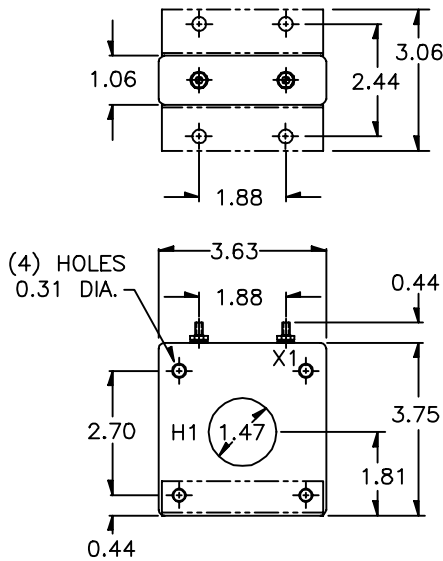
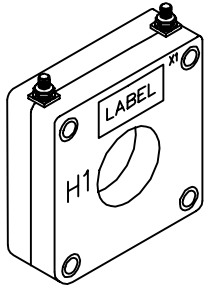
INSULATION LEVEL:
600 Volts, 10 kV BIL full wave.

REGULATORY AGENCY APPROVALS



Manufactured to meet the requirements of ANSI/IEEE C57.13.
Classified by U.L. in accordance with IEC 44-1

- Terminals are brass studs No. 10-32 UNF with one flatwasher, lockwasher and regular nut.
- Order mounting bracket kit 0221B00778 separately for Model 605.
- Order mounting bracket kit 0221B00779 separately for Model 607.
- Approximate weight:
605 1lb., 4oz.; 607 2lbs.



CURRENT TRANSFORMER MODEL 605

CURRENT TRANSFORMER MODEL 607

| CATALOG NUMBER | CURRENT RATIO | VA ±1% CLASS | ANSI METERING CLASS AT 60 Hz | | | | | SECONDARY WINDING RESISTANCE (OHMS @ 75°C) | CONTINUOUS THERMAL RATING FACTOR | |
|----------------|---------------|--------------|------------------------------|------|------|------|------|--|----------------------------------|-------|
| | | | B0.1 | B0.2 | B0.5 | B0.9 | B1.8 | | @30°C | @55°C |
| 605-101 | 100:5 | 1.0 | 1.2 | 2.4 | - | - | - | 0.012 | 2.0 | 2.0 |
| 605-151 | 150:5 | 5.0 | 0.6 | 1.2 | 2.4 | 4.8 | - | 0.019 | 2.0 | 2.0 |
| 605-201 | 200:5 | 12.5 | 0.6 | 0.6 | 1.2 | 2.4 | 4.8 | 0.024 | 2.0 | 2.0 |
| 605-251 | 250:5 | 15.0 | 0.3 | 0.3 | 1.2 | 2.4 | 2.4 | 0.033 | 2.0 | 2.0 |
| 605-301 | 300:5 | 20.0 | 0.3 | 0.3 | 0.6 | 1.2 | 2.4 | 0.040 | 2.0 | 1.5 |
| 605-401 | 400:5 | 25.0 | 0.3 | 0.3 | 0.6 | 1.2 | 1.2 | 0.067 | 1.5 | 1.33 |
| 605-501 | 500:5 | 30.0 | 0.3 | 0.3 | 0.6 | 0.6 | 1.2 | 0.105 | 1.5 | 1.0 |
| 605-601 | 600:5 | 30.0 | 0.3 | 0.3 | 0.3 | 0.6 | 1.2 | 0.158 | 1.0 | 0.8 |
| 605-751 | 750:5 | 30.0 | 0.3 | 0.3 | 0.3 | 0.6 | 0.6 | 0.148 | 1.33 | 1.0 |
| 605-801 | 800:5 | 30.0 | 0.3 | 0.3 | 0.3 | 0.6 | 0.6 | 0.158 | 1.25 | 1.0 |
| 605-102 | 1000:5 | 35.0 | 0.3 | 0.3 | 0.3 | 0.3 | 0.6 | 0.197 | 1.0 | 0.8 |
| 605-122 | 1200:5 | 40.0 | 0.3 | 0.3 | 0.3 | 0.3 | 0.3 | 0.293 | 1.0 | 0.6 |

| CATALOG NUMBER | CURRENT RATIO | VA ±1% CLASS | ANSI METERING CLASS AT 60 Hz | | | | | SECONDARY WINDING RESISTANCE (OHMS @ 75°C) | CONTINUOUS THERMAL RATING FACTOR | |
|----------------|---------------|--------------|------------------------------|------|------|------|------|--|----------------------------------|-------|
| | | | B0.1 | B0.2 | B0.5 | B0.9 | B1.8 | | @30°C | @55°C |
| 607-101 | 100:5 | 1.0 | 1.2 | 4.8 | - | - | - | 0.014 | 2.0 | 2.0 |
| 607-151 | 150:5 | 2.5 | 0.6 | 1.2 | 4.8 | 4.8 | - | 0.025 | 2.0 | 2.0 |
| 607-201 | 200:5 | 5.0 | 0.6 | 0.6 | 2.4 | 4.8 | 4.8 | 0.031 | 2.0 | 2.0 |
| 607-251 | 250:5 | 7.5 | 0.3 | 0.6 | 1.2 | 2.4 | 4.8 | 0.043 | 2.0 | 2.0 |
| 607-301 | 300:5 | 12.5 | 0.3 | 0.3 | 1.2 | 2.4 | 2.4 | 0.052 | 2.0 | 2.0 |
| 607-401 | 400:5 | 15.0 | 0.3 | 0.3 | 0.6 | 1.2 | 2.4 | 0.069 | 2.0 | 1.5 |
| 607-501 | 500:5 | 25.0 | 0.3 | 0.3 | 0.6 | 1.2 | 1.2 | 0.086 | 2.0 | 1.5 |
| 607-601 | 600:5 | 30.0 | 0.3 | 0.3 | 0.6 | 0.6 | 1.2 | 0.104 | 2.0 | 1.5 |
| 607-751 | 750:5 | 30.0 | 0.3 | 0.3 | 0.3 | 0.6 | 0.6 | 0.131 | 1.5 | 1.33 |
| 607-801 | 800:5 | 35.0 | 0.3 | 0.3 | 0.3 | 0.6 | 0.6 | 0.175 | 1.5 | 1.0 |
| 607-102 | 1000:5 | 35.0 | 0.3 | 0.3 | 0.3 | 0.6 | 0.6 | 0.157 | 1.5 | 1.25 |
| 607-122 | 1200:5 | 40.0 | 0.3 | 0.3 | 0.3 | 0.3 | 0.6 | 0.188 | 1.5 | 1.0 |
| 607-152 | 1500:5 | 50.0 | 0.3 | 0.3 | 0.3 | 0.3 | 0.3 | 0.235 | 1.33 | 1.0 |
| 607-162 | 1600:5 | 50.0 | 0.3 | 0.3 | 0.3 | 0.3 | 0.3 | 0.312 | 1.0 | 0.8 |

CURRENT TRANSFORMER

Model 750-SD

Window Diameter 12.00"

**COTTON TAPE & VARNISH
DIPPED CONSTRUCTION**

APPLICATION:

Relaying

FREQUENCY:

50-400 Hz.

INSULATION LEVEL:

600 Volts, 10 kV BIL full wave.

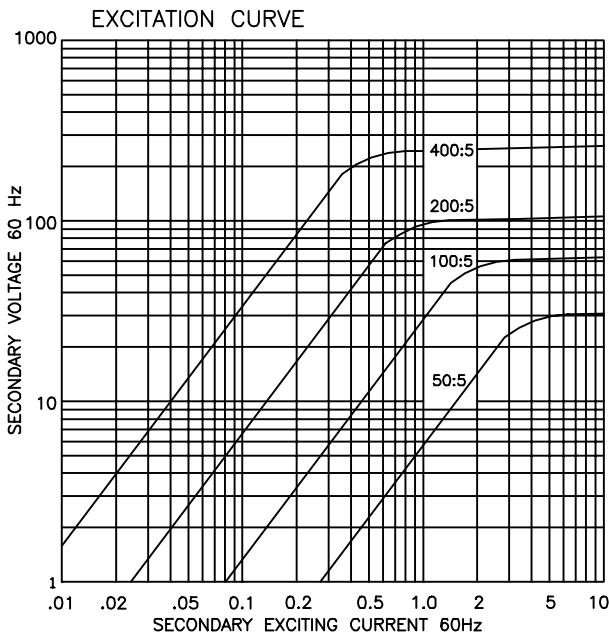
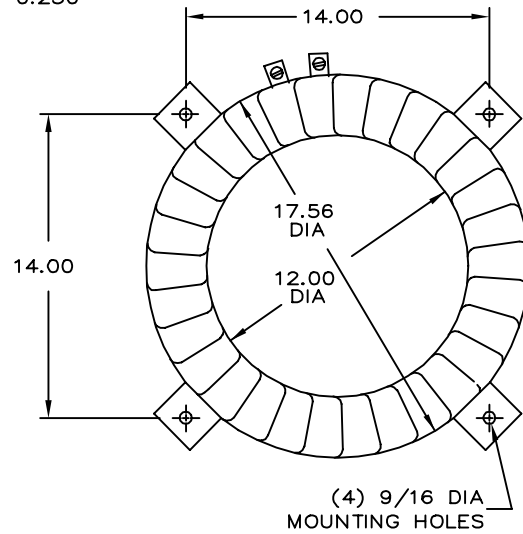
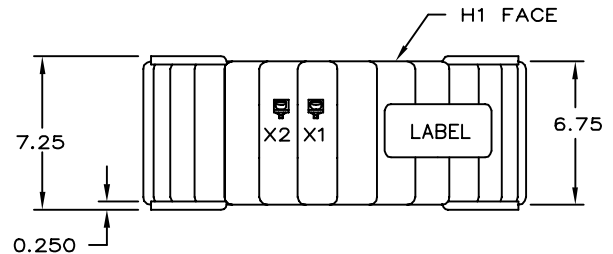
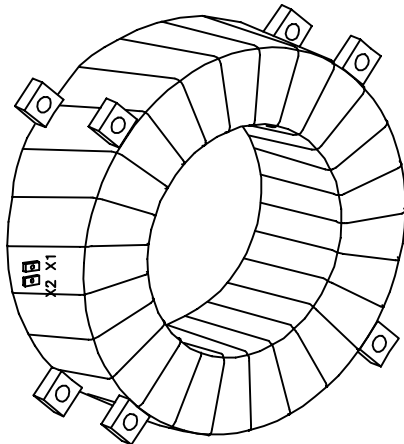
- Terminals are 1/4-20 brass screws with one flatwasher, lockwasher and regular nut.

- Approximate weight 135 lbs.

REGULATORY AGENCY APPROVALS



Manufactured to meet the requirements of ANSI/IEEE C57.13.
Classified by U.L. in accordance with IEC 44-1



| CATALOG NUMBER | CURRENT RATIO | RELAY CLASS | SECONDARY WINDING RESISTANCE (OHMS @ 75°C.) | CONTINUOUS THERMAL RATING FACTOR | |
|---------------------|---------------|-------------|---|----------------------------------|-------|
| | | | | @30°C | @55°C |
| 750-SD-0121A13951-1 | 50:5 | C20 | 0.026 | 2.0 | 2.0 |
| 750-SD-0121A13951-2 | 100:5 | C50 | 0.051 | 2.0 | 2.0 |
| 750-SD-0121A13951-4 | 200:5 | C100 | 0.103 | 2.0 | 2.0 |
| 750-SD-0121A13951-3 | 400:5 | C200 | 0.205 | 2.0 | 2.0 |